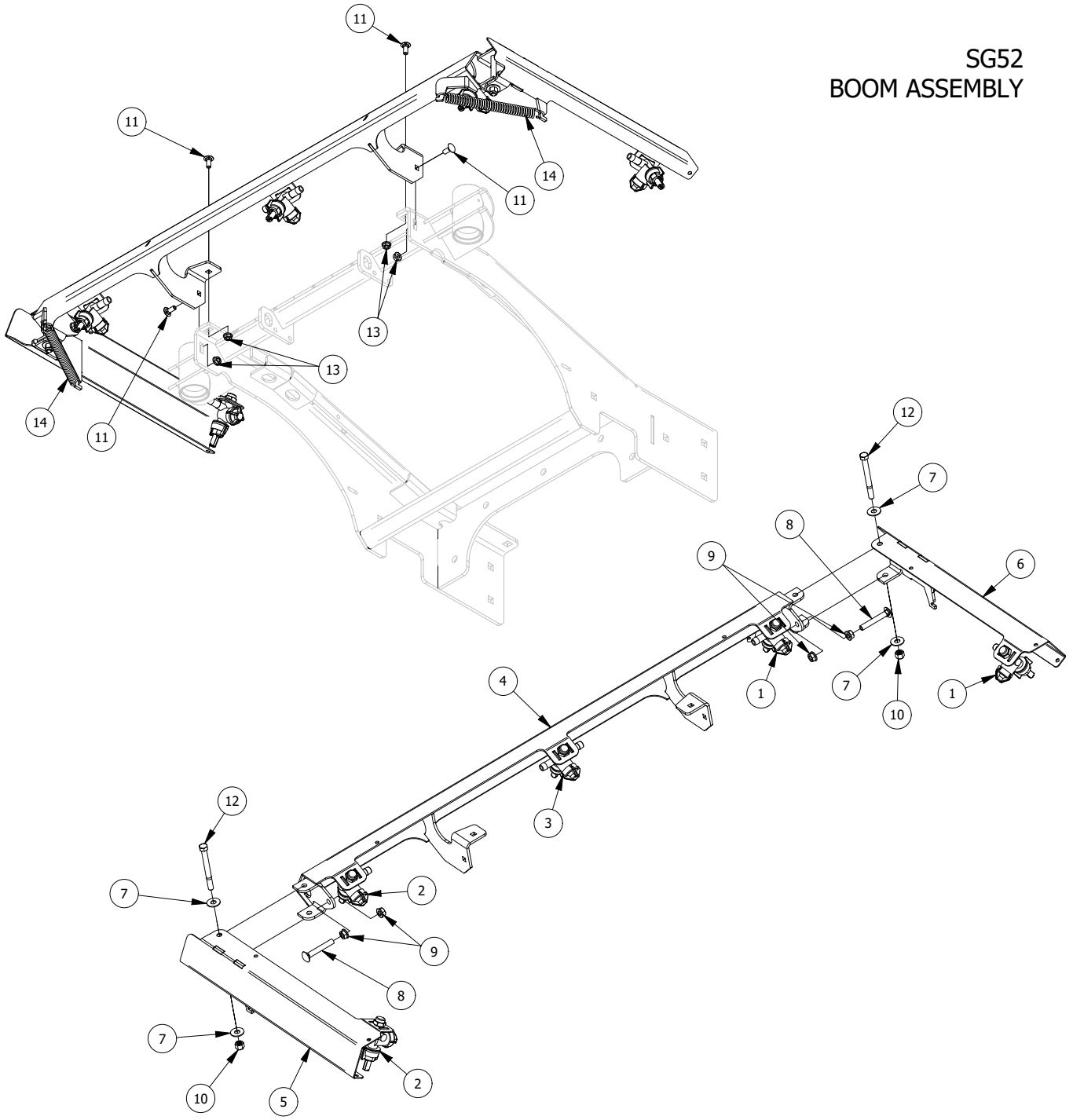


SG52 BOOM ASSEMBLY



PARTS LIST

| ITEM | QTY | PART NUMBER | DESCRIPTION |
|------|-----|--------------|-----------------------------------|
| 1 | 2 | S51012 | RIGHT NOZZLE ASSY |
| 2 | 2 | S51010 | LEFT NOZZLE ASSY |
| 3 | 1 | S51011 | CENTER NOZZLE ASSY |
| 4 | 1 | W21-051 | CENTER BOOM |
| 5 | 1 | W21-052 | BOOM WING, LEFT |
| 6 | 1 | W21-052-R | BOOM WING, RIGHT |
| 7 | 4 | FWSS-38 | FLAT WASHER, SS - 3/8 |
| 8 | 2 | CB-382SS | CARRIAGE BOLT, SS - 3/8-16 x 2 |
| 9 | 4 | HFNCS-385 | HEX FLANGE NUT - 3/8-16 |
| 10 | 2 | SSNNC-38 | NYLOCK, SS - 3/8-16 |
| 11 | 4 | CB-51634 | CARRIAGE BOLT, SS - 5/16-18 x 3/4 |
| 12 | 2 | HHSCS5-38334 | HEX BOLT, SS - 3/8-16 x 3 3/4 |
| 13 | 4 | HFNCS-516S | HEX FLANGE NUT, SS - 5/16-18 |
| 14 | 2 | C60112 | BOOM SPRING |