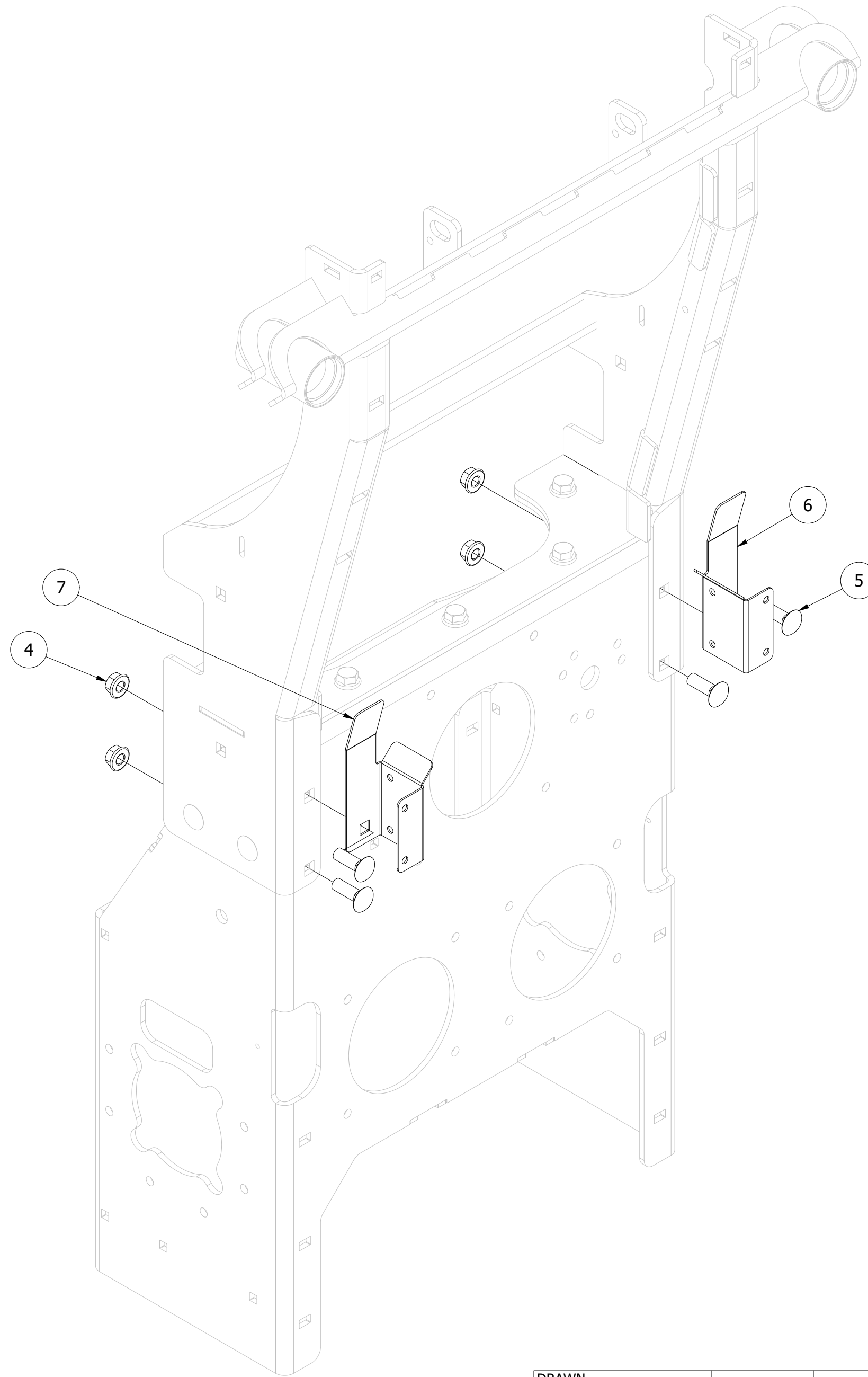
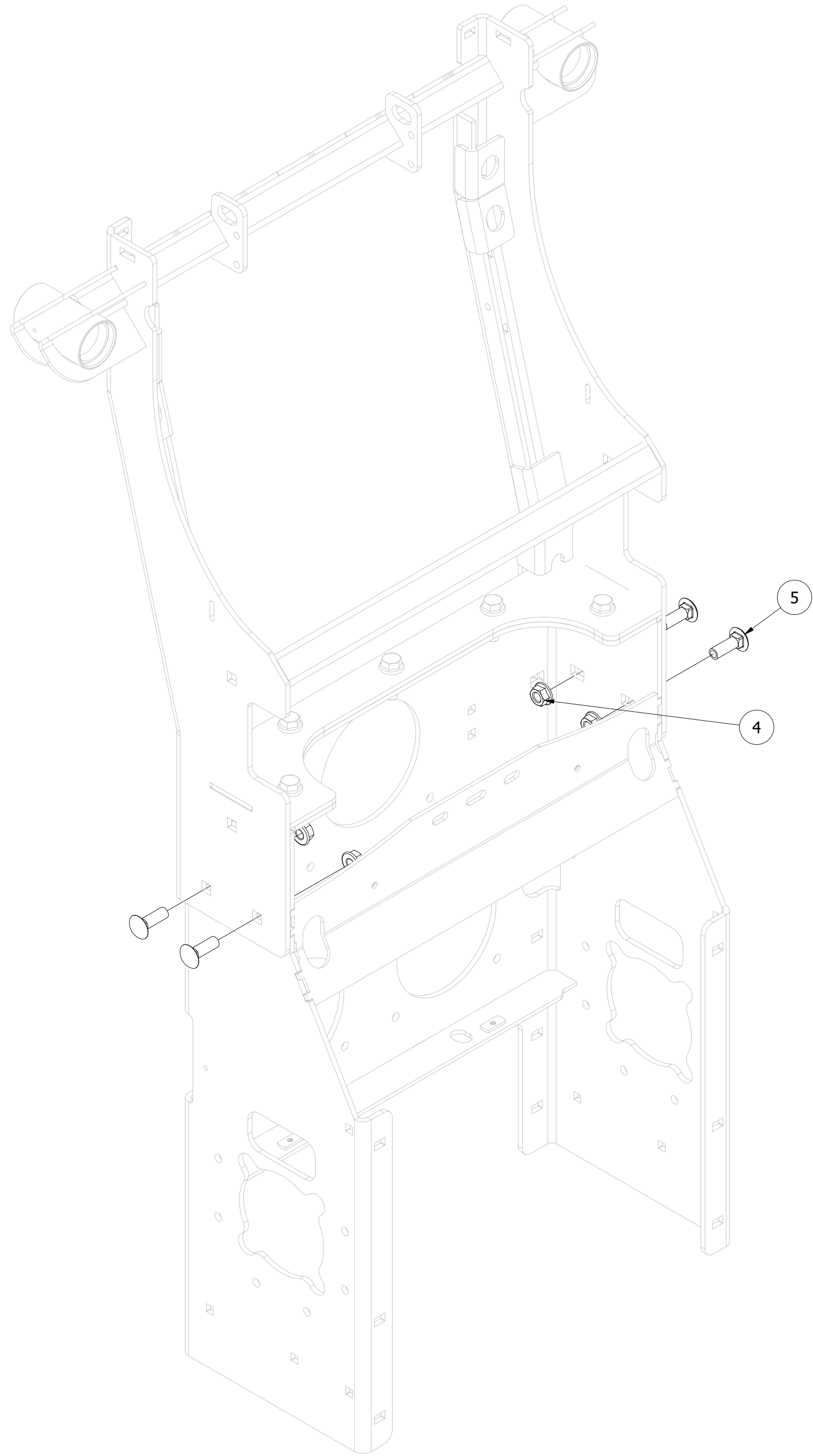
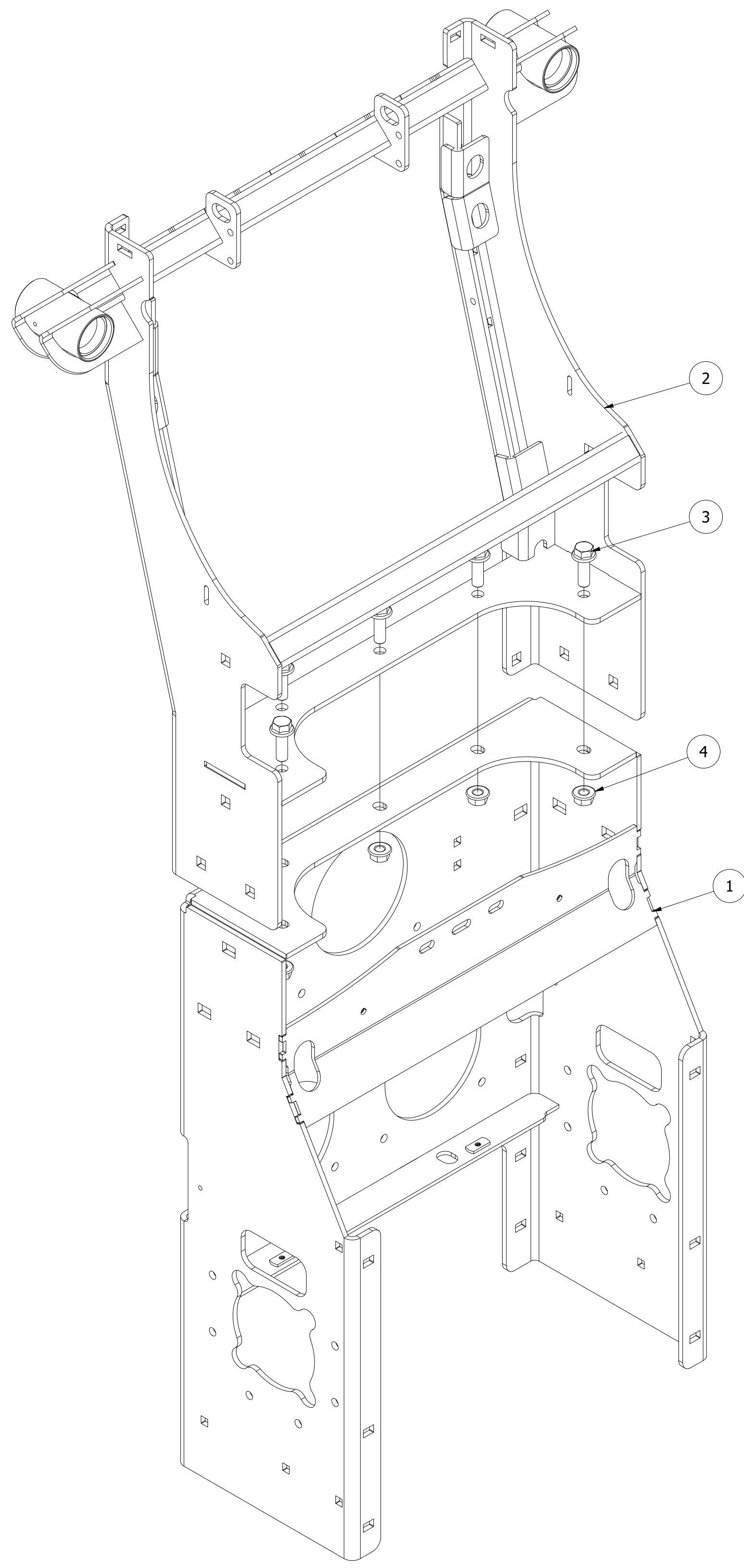


PARTS LIST			
ITEM	QTY	PART NUMBER	DESCRIPTION
1	1	W210001	ENGINE BASE
2	1	W21-004	FRONT FRAME
3	5	HFSSC-12112	HEX FLANGE BOLT, SS - 1/2-13 x 1 1/2
4	13	HFNSC-12S	HEX FLANGE NUT, SS - 1/2-13
5	4	CB-12112SS	CARRIAGE BOLT, SS - 1/2-13 x 1 1/2
6	1	R21-025-01	HOSE GUIDE, RIGHT
7	1	R21-025-L	HOSE GUIDE, LEFT



DRAWN	SGM ENGINEERING	3/24/2019		
CHECKED			TITLE	
QA				
MFG				
APPROVED				
SIZE	D	DWG NO	SG52 ASSEMBLY 1-001	REV
SCALE	.25	SHEET 1 OF 1		