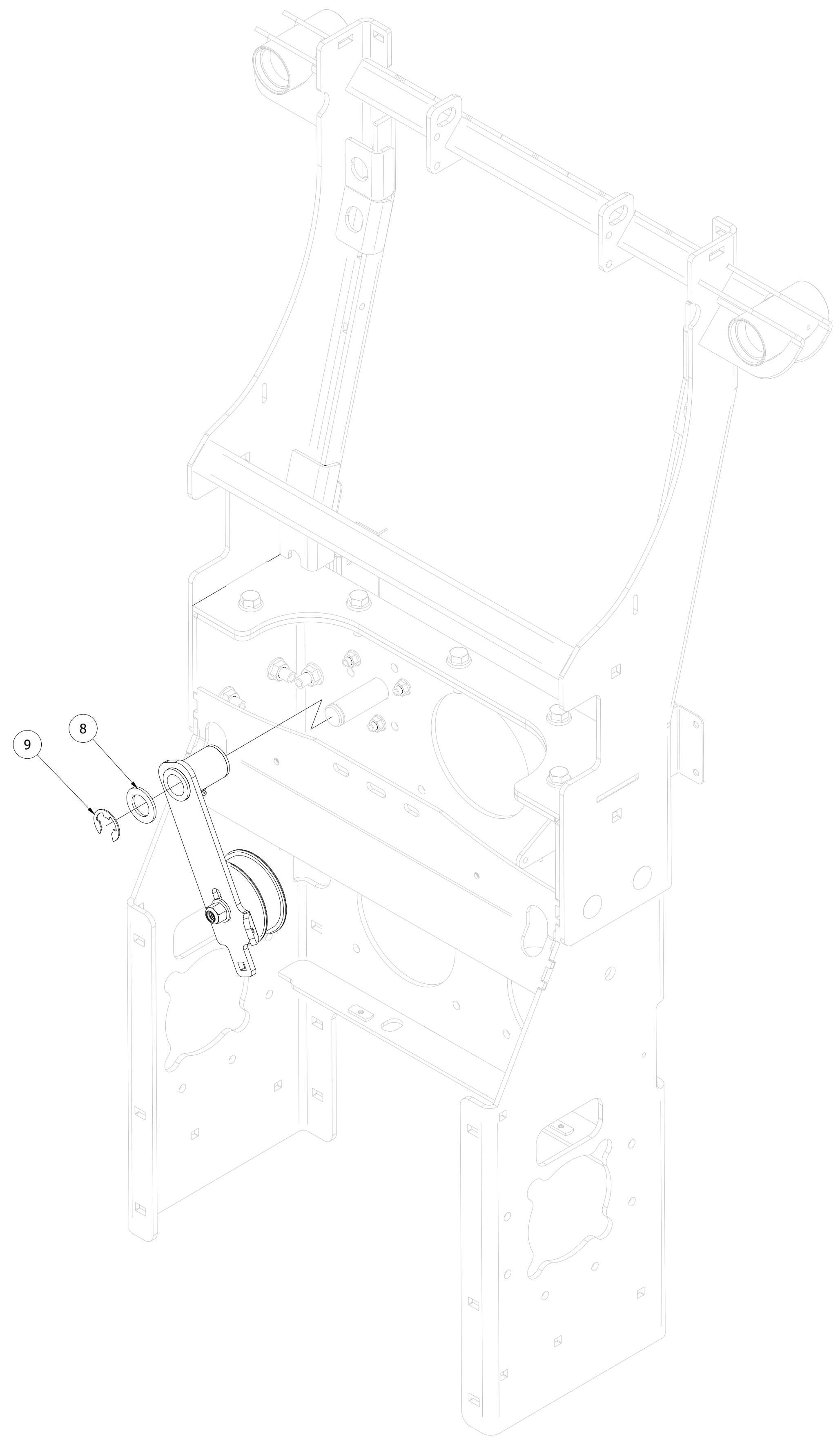


IDLER ASSEMBLY



PARTS LIST			
ITEM	QTY	PART NUMBER	DESCRIPTION
1	1	W21-020	IDLER ARM
2	1	6F-316D	GREASE FITTING
3	2	C60304	BUSHING, OIL INFUSED
4	6	FW-SAE-12	FLAT WASHER, SS - 1/2
5	1	SSNNC-12	NYLOCK, SS - 1/2-13
6	1	H82003	IDLER PULLEY
7	1	HFC5-12214	HEX FLANGE BOLT, C5 ZINC - 1/2-13 x 2 1/4
8	1	SHJN-1-14	FLAT WASHER, SS - 1
9	1	ECSS-098	SNAP RING

DRAWN	SGM ENGINEERING	4/14/2019		
CHECKED			TITLE	
QA				
MFG				
APPROVED				
		SIZE	DWG NO	REV
		D	SG52 ASSEMBLY 1-003	
		SCALE	.75	SHEET 1 OF 1