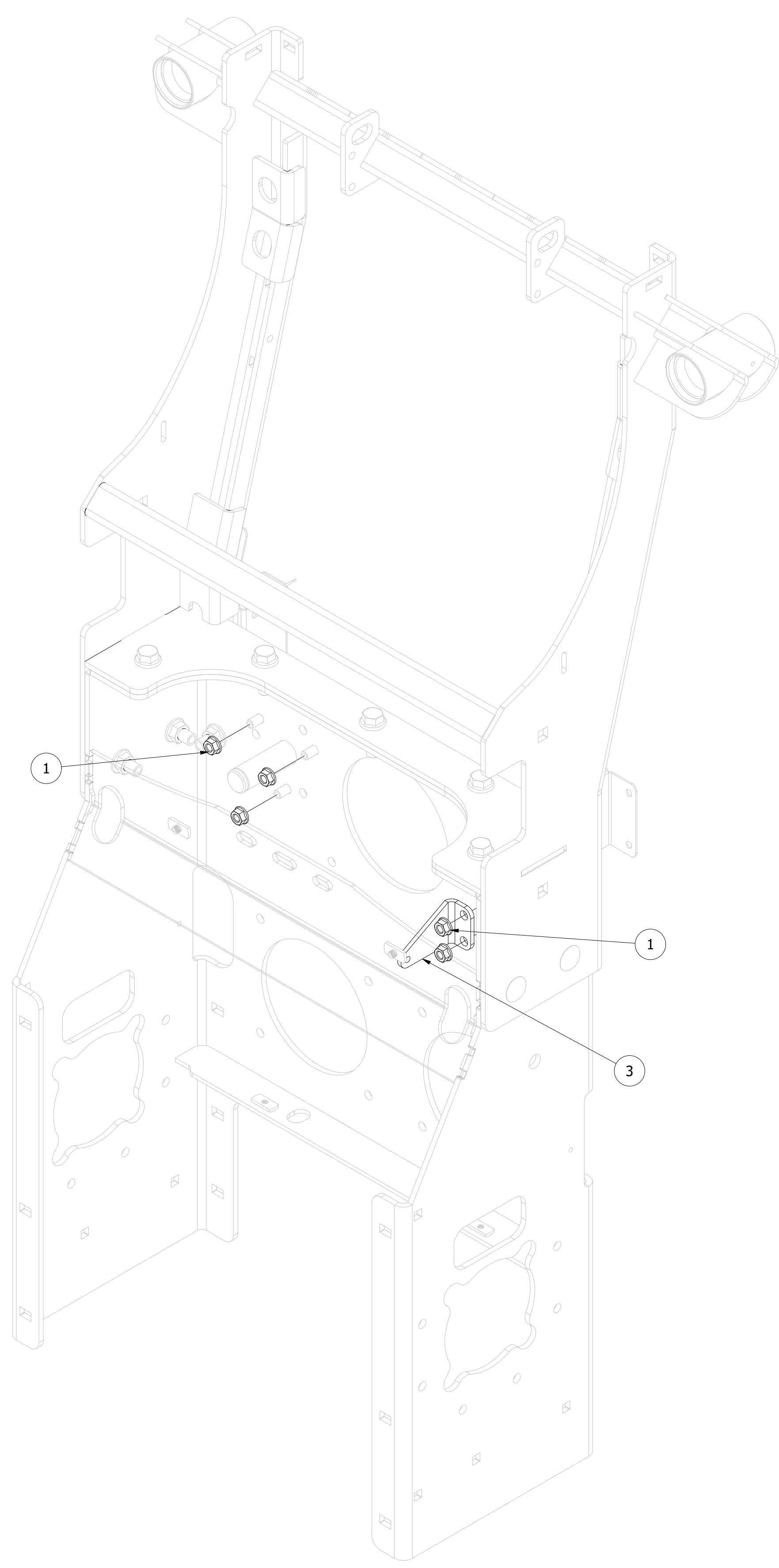
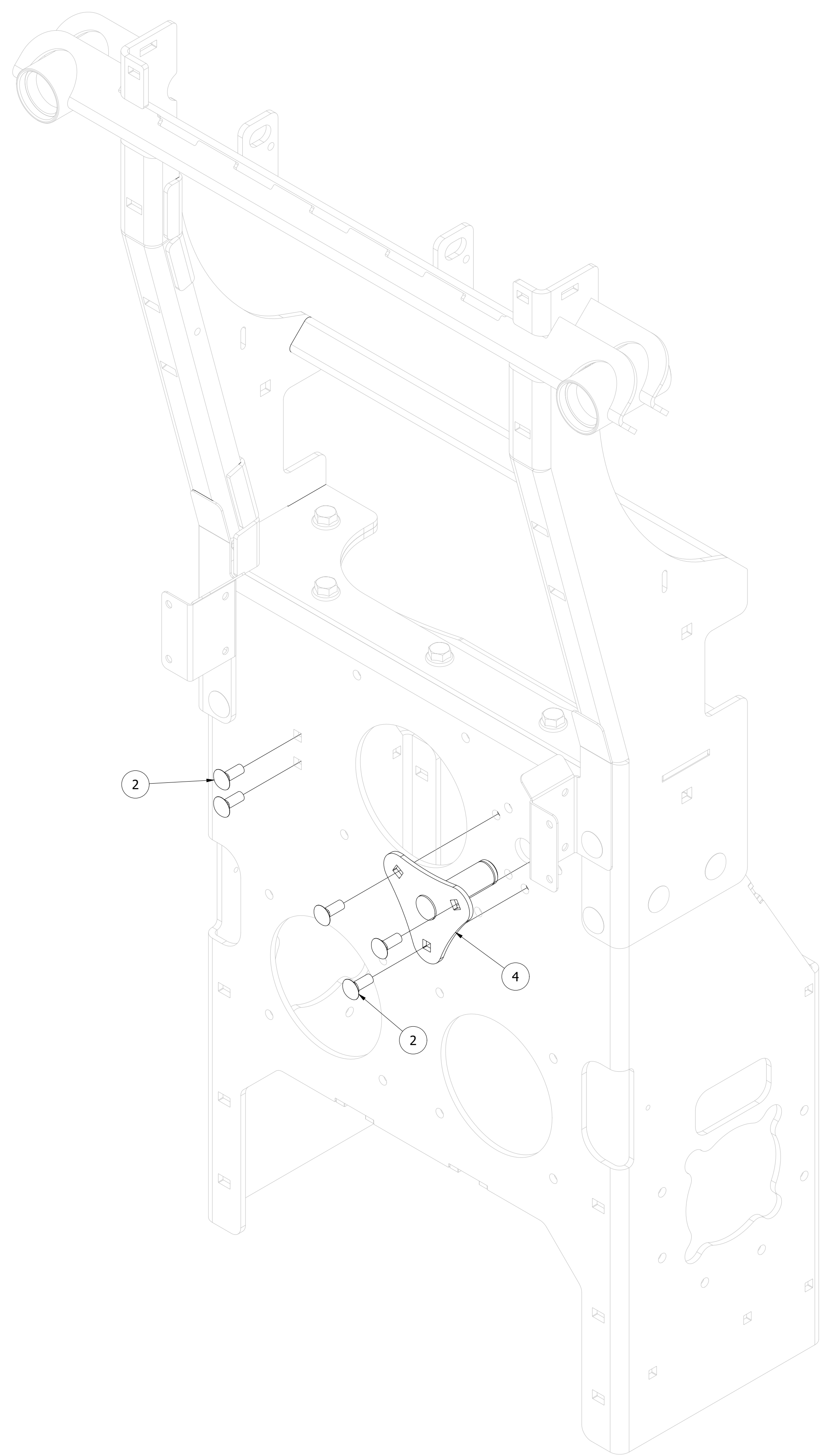


PARTS LIST			
ITEM	QTY	PART NUMBER	DESCRIPTION
1	5	HFNC5-38S	HEX FLANGE NUT - 3/8-16
2	5	CB-381SS	CARRIAGE BOLT, SS - 3/8-16 x 1
3	1	R21-018-01	TENSION SPRING MOUNT
4	1	W21-021	IDLER ARM MOUNT



DRAWN	SGM ENGINEERING	4/13/2019		
CHECKED			TITLE	
QA				
MFG				
APPROVED				
	SIZE	D	DWG NO	REV
	SCALE	.35	SG52 ASSEMBLY 1-002	
			SHEET 1 OF 1	