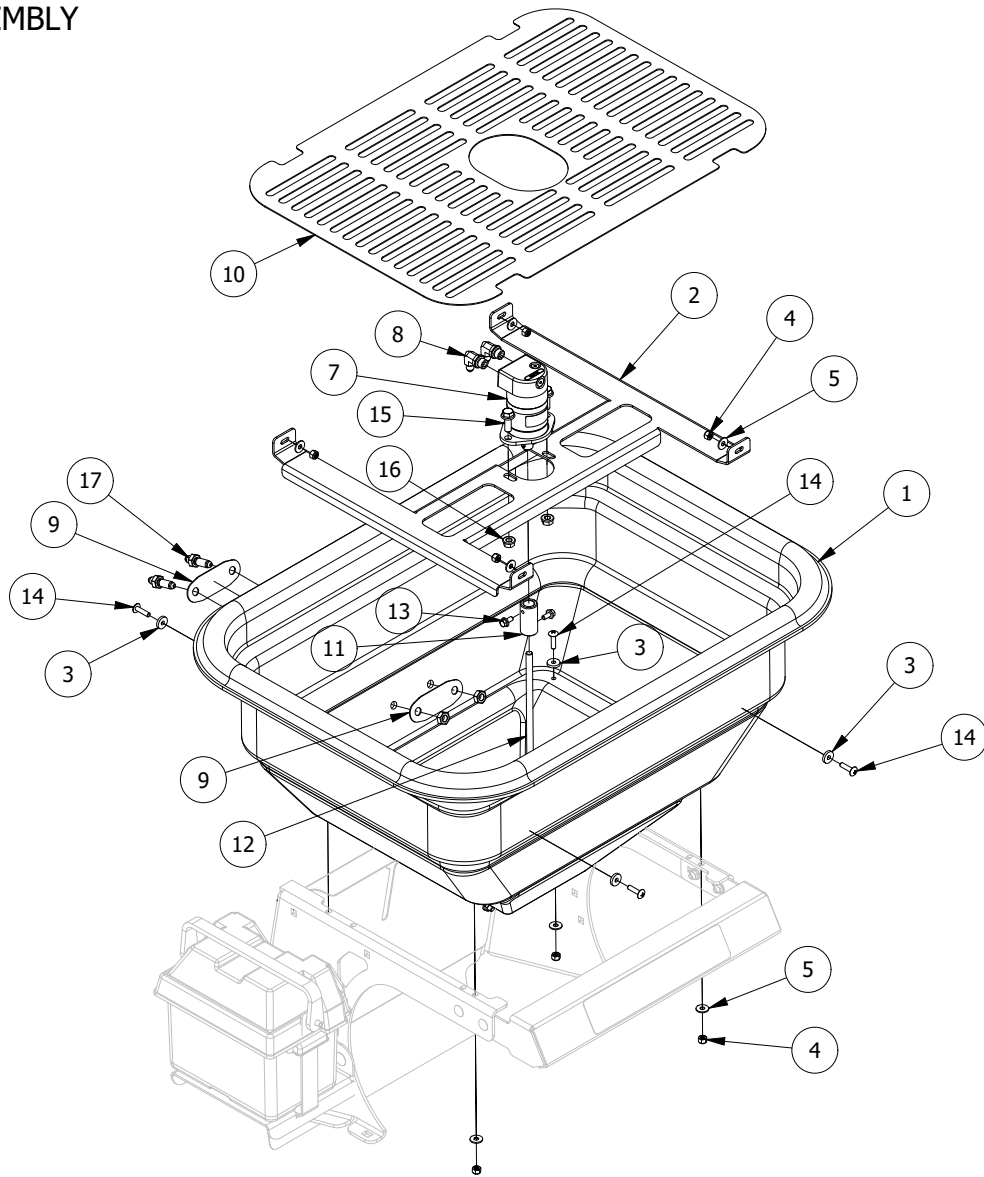


SG52, SG46  
HOPPER ASSEMBLY



PARTS LIST

| ITEM | QTY | PART NUMBER | DESCRIPTION                                      |
|------|-----|-------------|--|
| 1    | 1   | D70014      | TUB, 220 HOPPER                                  |
| 2    | 1   | R21-053     | BRACKET, 220 HOPPER MOTOR                        |
| 3    | 8   | NFW-14B     | WASHER, PLASTIC                                  |
| 4    | 12  | SSNNC-14    | NYLOCK, SS - 1/4-20                              |
| 5    | 8   | FWSS-14     | FLAT WASHER, SS - 1/4                            |
| 7    | 1   | H81441      | MOTOR, HOPPER                                    |
| 8    | 2   | H84000-L    | FITTING, HOPPER MOTOR                            |
| 9    | 2   | R21-046     | PLATE, HOPPER HOSE FITTING                       |
| 10   | 1   | R21-054     | SCREEN, 220 HOPPER                               |
| 11   | 1   | R31011      | COUPLER, HOPPER MOTOR                            |
| 12   | 1   | R31009      | SHAFT, HOPPER MOTOR                              |
| 13   | 2   | HFSSC-145   | HEX FLANGE BOLT, SS - 1/4-20 x 1/2               |
| 14   | 8   | TRPC-141S   | PHILLIPS PAN HEAD MACHINE SCREW, SS - 1/4-20 x 1 |
| 15   | 2   | HFSSC-381   | HEX FLANGE BOLT, SS - 3/8-16 x 1                 |
| 16   | 2   | HFNCS-38S   | HEX FLANGE NUT - 3/8-16                          |
| 17   | 2   | H84020      | FITTING, HOPPER BULK HEAD                        |