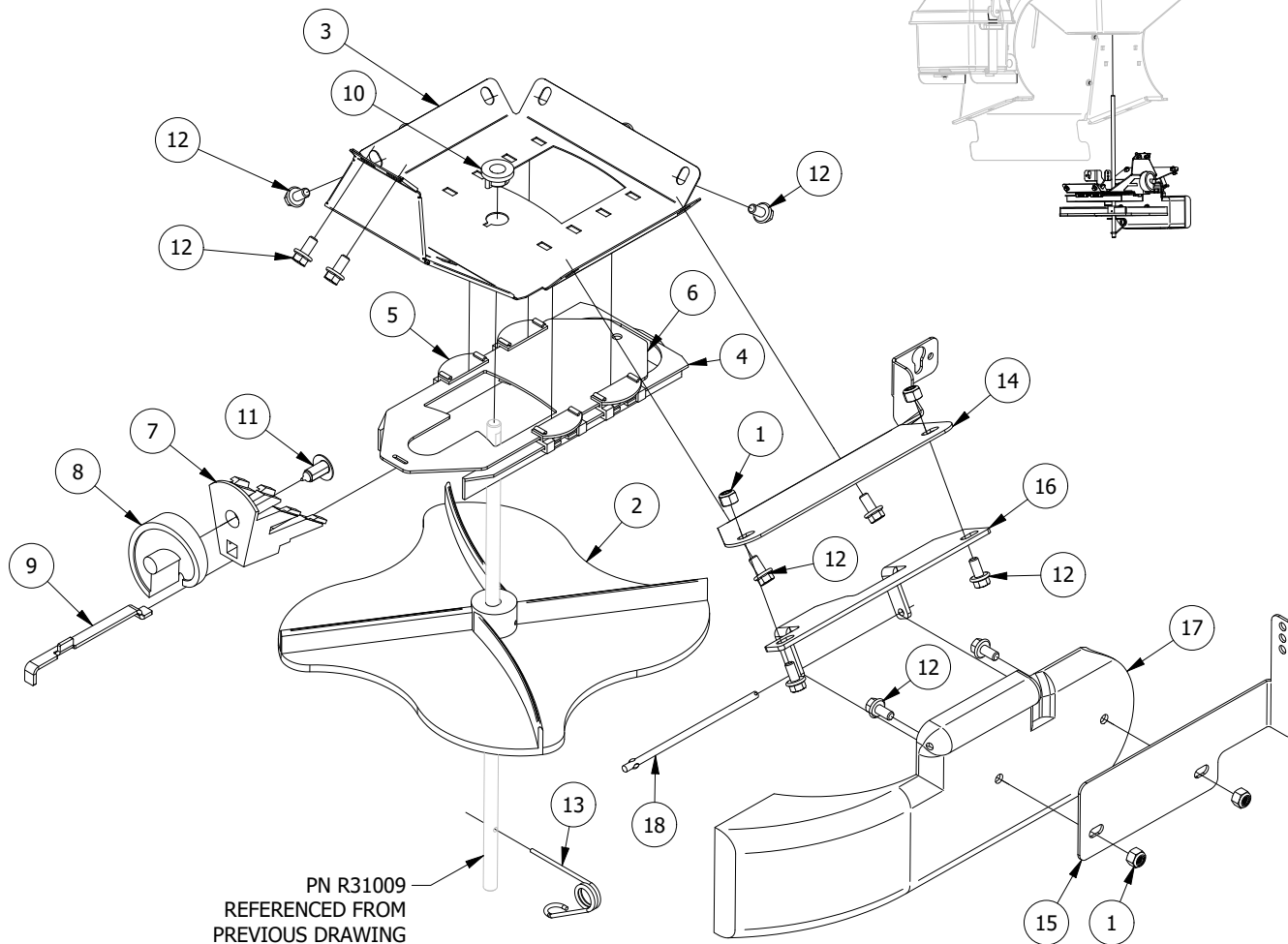


SG52, SG46  
HOPPER ASSEMBLY



PARTS LIST

ITEM	QTY	PART NUMBER	DESCRIPTION
1	4	SSNNC-14	NYLOCK, SS - 1/4-20
2	1	D70000	SPINNER
3	1	D70010	BOTTOM, 220 HOPPER
4	1	D70004	DIFFUSER
5	4	D70005	GUIDE, RATE GATE/DIFFUSER
6	1	D70025	DOOR, HOPPER
7	1	D70002	HOLDER, DIAL
8	1	D70001	DIAL, RATE
9	1	D70003	LINKAGE, RATE DIAL
10	1	D70008	BUSHING, HOPPER BOTTOM
11	1	D70016	CLIP, PINE TREE
12	12	HFSSC-145	HEX FLANGE BOLT, SS - 1/4-20 x 1/2
13	1	D70019	CLIP, SPINNER SPRING LOADED
14	1	R21-047	BRACKET, DEFLECTOR (HOPPER)
15	1	R21-078	BRACKET, DEFLECTOR (SIDE)
16	1	D70018-A	BRACKET, DEFLECTOR PIVOT
17	1	D70018	SIDE DEFLECTOR, PLASTIC
18	1	D70018-C	PIN, DEFLECTOR PIVOT