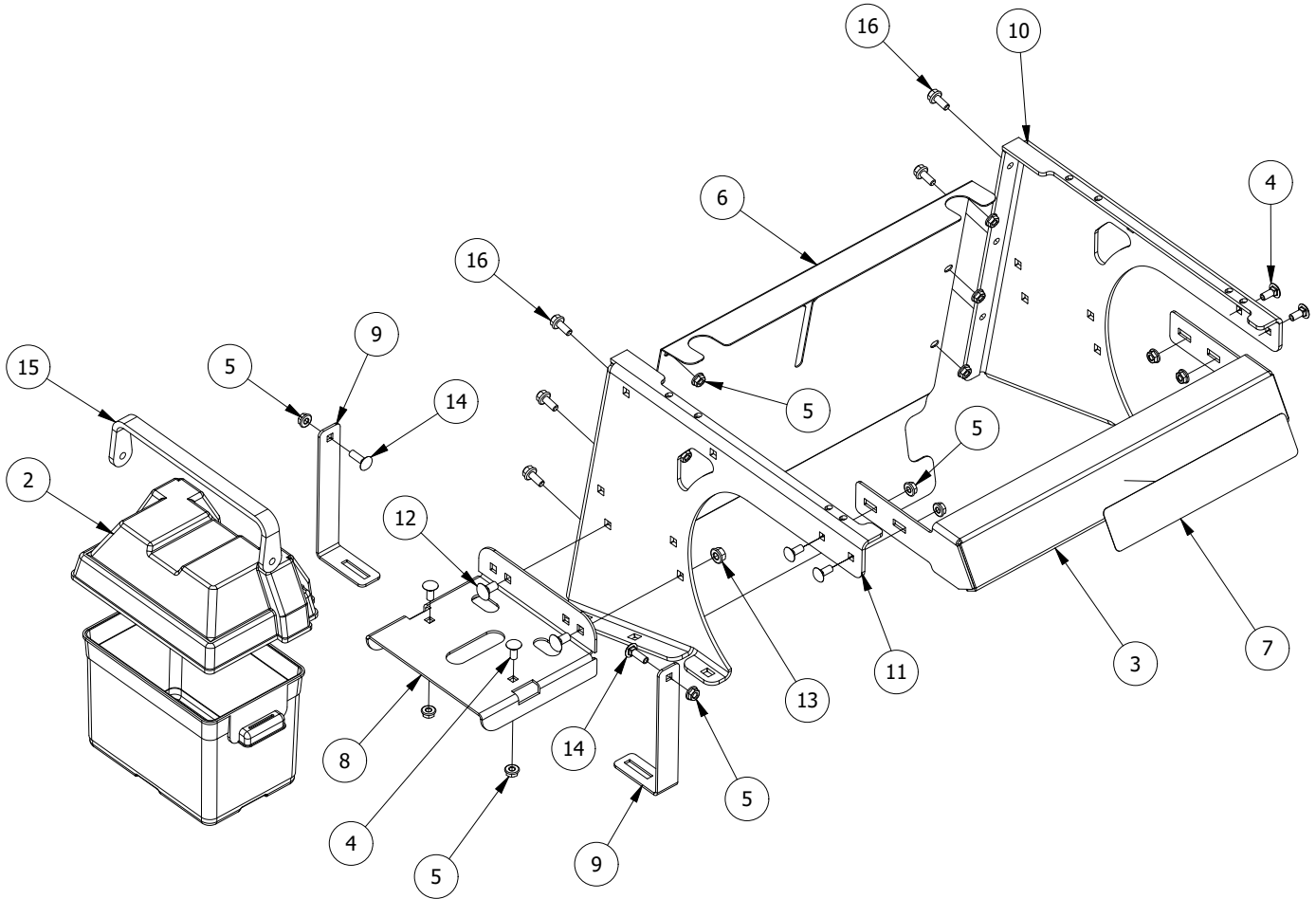


SG52, SG46  
HOPPER ASSEMBLY



PARTS LIST

ITEM	QTY	PART NUMBER	DESCRIPTION
2	1	E40002	BATTERY BOX
3	1	R21-044	BUMPER
4	6	CB-51634	CARRIAGE BOLT, SS - 5/16-18 x 3/4
5	14	HFNCS-516S	HEX FLANGE NUT, SS - 5/16-18
6	1	R21-045-01	BACKSHIELD, HOPPER
7	1	C60321	DECAL, STEEL GREEN
8	1	R21-041	TRAY, BATTERY
9	2	R21-042	BRACKET, BATTERY STRAP
10	1	W21-043-L	FRAME, LEFT HOPPER
11	1	W21-043-R	FRAME, RIGHT HOPPER
12	2	CB-3834SS	CARRIAGE BOLT, SS - 3/8-16 x 3/4
13	4	HFNCS-38S	HEX FLANGE NUT - 3/8-16
14	2	CB-5161SS	CARRIAGE BOLT, SS - 5/16-18 x 1
15	1	TSR-10	STRAP, BATTERY
16	6	HFSSC-51634	HEX FLANGE BOLT, SS - 5/16-18 x 3/4