

Diaphragm Pumps Engineered for Excellence



5800/5900 Series – 3.0 to 5.4 GPM Diaphragm Pump

Pump Type: Bypass, Demand

Flow: Up to 5.4 GPM

Pressure: Up to 60 PSI

Valves: Viton

Diaphragm: Santoprene, Geolast

Ports: 3/8" FNPT, 3/4" Quick Attach

Power: 12V – Wire Leads with 2-pin molded connector, 115V AC corded plug

Weight: 8 lbs.

Packaging: Bulk Box, Retail Box

Shipping: 6 per carton, single

- 100% Factory tested
- NSF Approved (Santoprene only)
- High Torque Motor for superior flow at pressure
- Self-Priming
- Can be run dry
- Optional built in On/Off Switch available



DIAPHRAGM PUMPS

Performance Specifications

3.0 GPM Bypass

PSI	GPM	AMPS
0	3.5	4.2
10	3.1	5.6
20	2.7	6.7
30	2.2	7.6
40	1.9	8.5
50	1.6	9.5

3.6 GPM Bypass

PSI	GPM	AMPS
0	3.7	4.5
10	3.4	5.7
20	3.1	7.2
30	2.75	8.4
40	2.45	9.5
50	2.1	11.1

4.0 GPM Bypass

PSI	GPM	AMPS
0	4.6	7
10	4.2	8.2
20	3.8	9.9
30	3.4	11.3
40	3	13.7
50	2.6	14.6

5.0 GPM Bypass

PSI	GPM	AMPS
0	5	6.9
10	4.5	8.5
20	4.1	10.5
30	3.7	12.2
40	3.3	13.9
50	2.85	15.4

3.0 GPM Demand

PSI	GPM	AMPS
0	3.5	5.5
10	3	5.7
20	2.5	7
30	2.1	8.2
40	1.8	9
50	1.6	10

3.6 GPM Demand

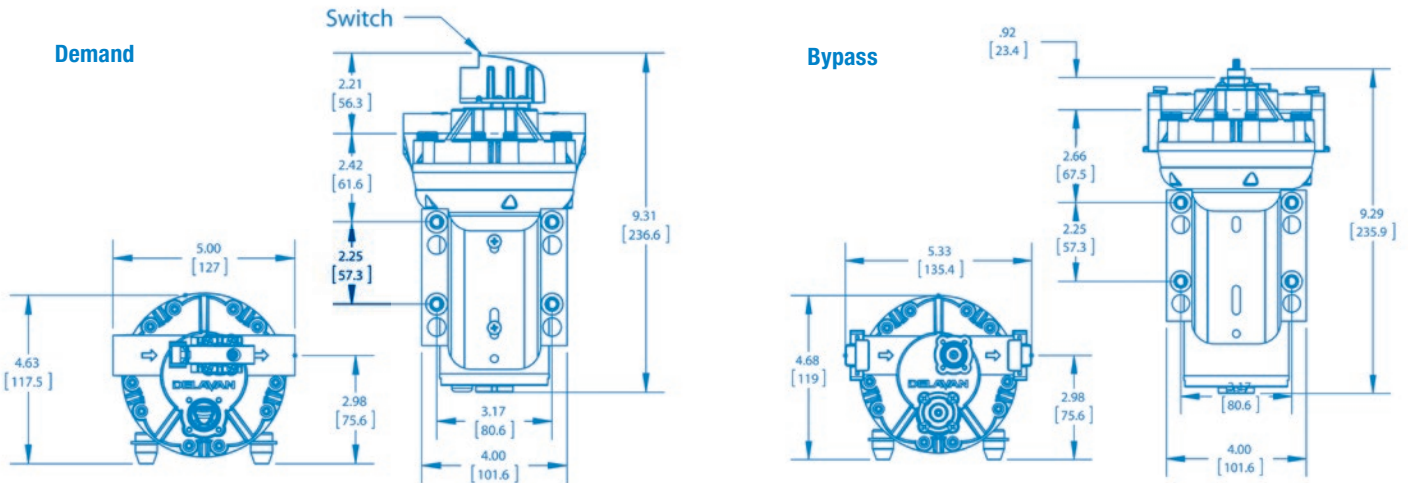
PSI	GPM	AMPS
0	3.8	6
10	3.4	6.3
20	3	7.5
30	2.6	8.5
40	2.4	9.5
50	2.2	11

4.0 GPM Demand

PSI	GPM	AMPS
0	4.2	4.8
10	3.95	0.4
20	3.4	8.5
30	3	9.8
40	2.4	11.4
50	2.2	13.1

5.0 GPM Demand

PSI	GPM	AMPS
0	5.4	8.2
10	4.6	10.4
20	4.1	12.5
30	3.7	15.1
40	3.2	16.3
50	2.8	17.1



Engineered for Excellence

"We are committed to succeeding in today's increasingly challenging marketplace by responding to each varied and dynamic individual customer requirement with an exclusive and custom tailored solution."