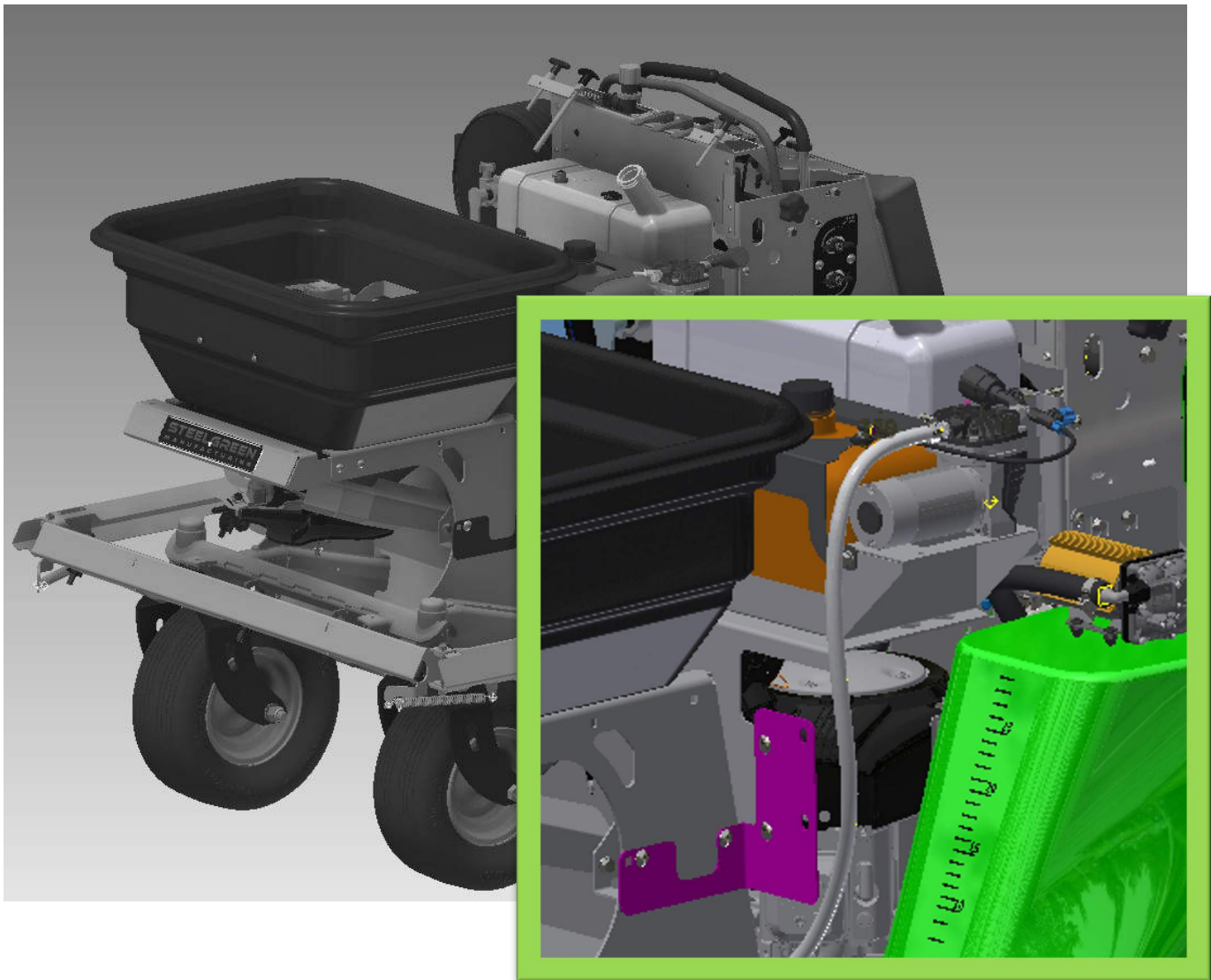
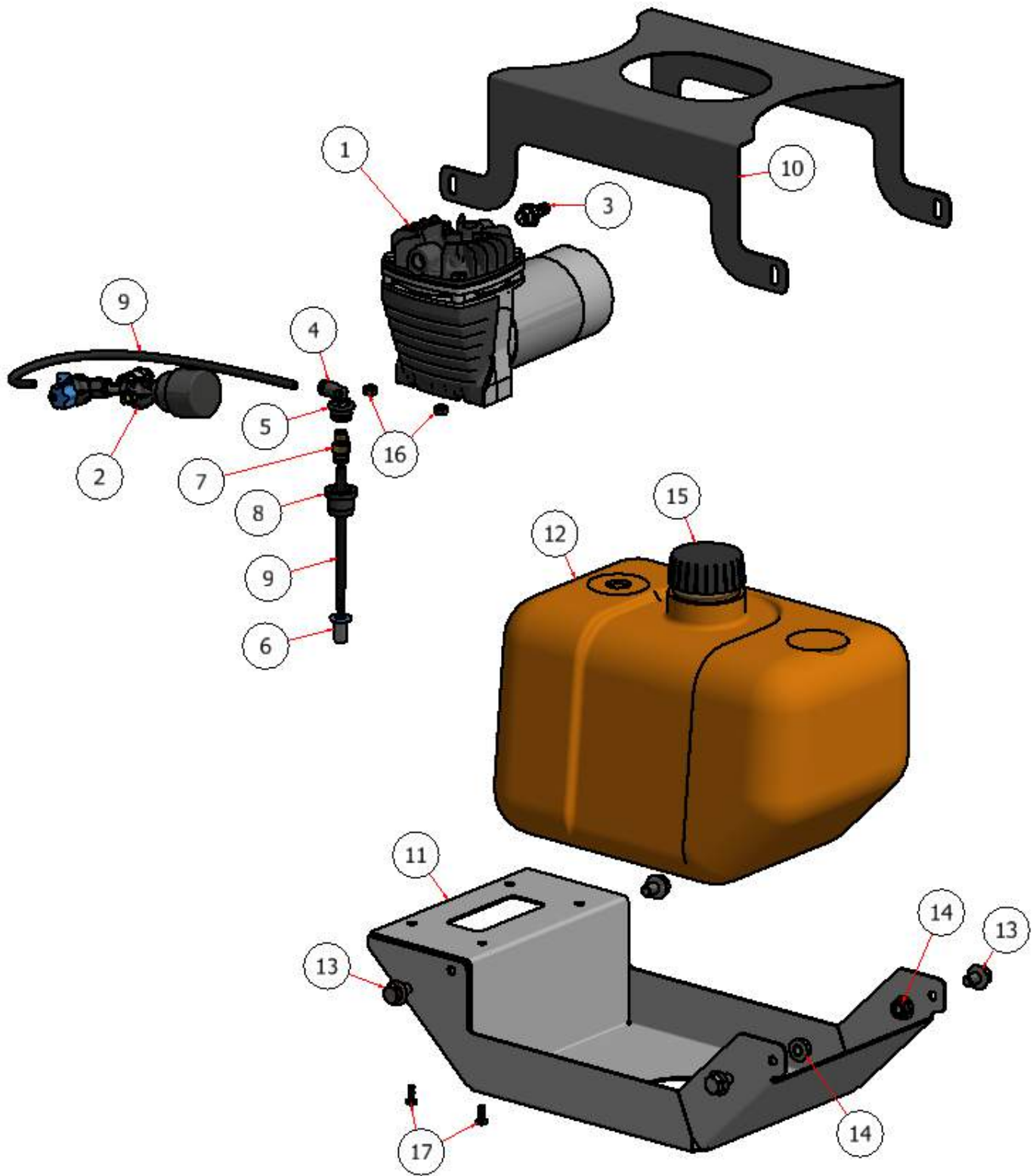


INSTRUCTION MANUAL

2.5 GALLON FOAM MARKER



2.5 GALLON FOAM MARKER EXPLODED



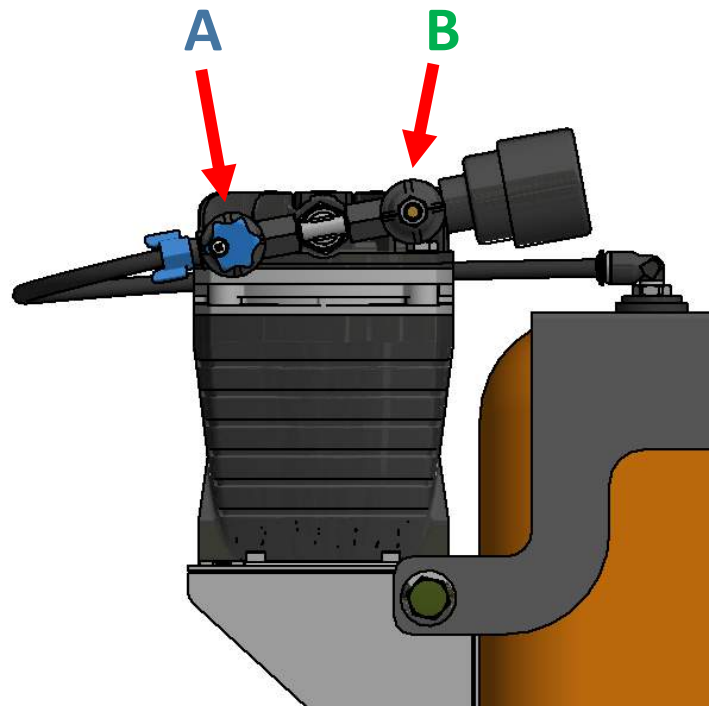
2.5 GALLON FOAM MARKER EXPLODED

FOAM MARKER PARTS LIST			
ITEM	QTY	PART NUMBER	DESCRIPTION
FOAM MARKER KIT K299501			
1	1	OF19-080	MOTOR, FOAM MARKER
2	1	901843	VALVE ASSEMBLY, FOAM MARKER
3	1	200214	3/8" NPT X 3/8" BARB STG.
4	1	200186	TUBE ADAPTER, ELBOW, FOAM MARKER
5	1	901847	CONNECTER, PLASTIC, FOAM MARKER
6	1	S51280	CHECK VALVE 50 MESH
7	1	KQ2H07-34AS	CONNECTOR, TUBE, 1/4" X 1/8"
8	1	RUBBER SOCKET	RUBBER SOCKET, FOAM MARKER
9	1	230006	1/8" TUBE
10	1	R22-111	TANK TIE DOWN, FOAM MARKER
11	1	R22-110	TANK SUPPORT, FOAM MARKER
12	1	FL0025	TANK, 2.5 GALLON, FOAM MARKER
13	4	HFSSC-3812	HEX BOLT, 3/8" X 1/2"
14	4	HFNCS-38S	HEX FLANGE NUT - 3/8-16
15	1	F10001	CAP, FOAM MARKER
16	2	SS NYLOCK 10-32	HEX NUT, NYLOCK, 10-32SS
17	2	TRPC-1012S	PHILLIPS SCREW, #10 X 1/2

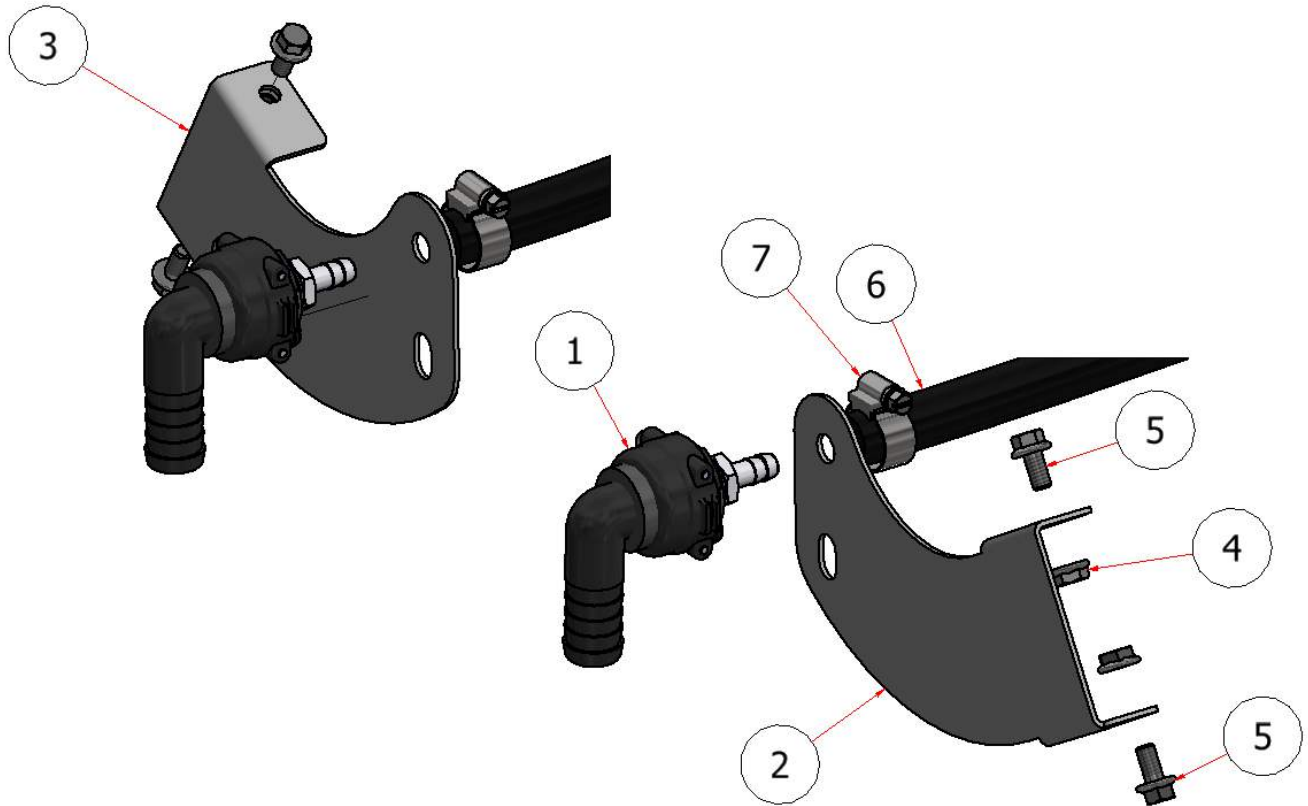
A - Flow control valve, adjust the flow control valve for more or less flow.

B - Air valve.

NOTE: The air valve is factory preset.



2.5 GALLON FOAM MARKER EXPLODED



FOAM MARKER DROPPER PARTS LIST			
ITEM	QTY	PART NUMBER	DESCRIPTION
1	2	901699	DROPPER, FOAM MARKER
2	1	R22-114	BRACKET, DROPPER, FOAM MARKER, RIGHT
3	1	R22-114_MIR	BRACKET, DROPPER, FOAM MARKER, LEFT
4	8	SSHFN 0.25-20	HEX NUT, 1/4-20
5	4	HFSSC-145	HEX FLANGE BOLT, SS - 1/4-20 x 1/2
6	1	230039	3/8" HOSE
7	2	MS4	STEP AP203
8	1	S50060	TEE FITTING, BARB, 3/8"

2.5 GAL. FOAM MARKER ASSEMBLY INSTRUCTIONS

STEP ONE: Disconnect the battery, *ground* first and then *power* wire.



GROUND

POWER

STEP TWO:

- Squeeze the hose clamp and slide it back.
- Disconnect both fuel lines.
- Remove the fuel tank.

ENGINE SUPPLY LINE

PRESSURE RELIEF

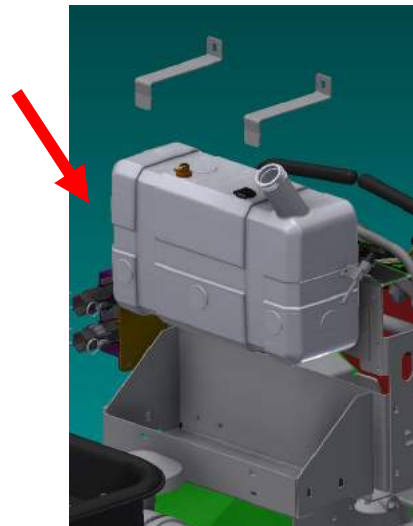


CAUTION!

- Beware of excess fuel in the lines.
- Fuel spillage.

WARNING!

- Flammable gas.



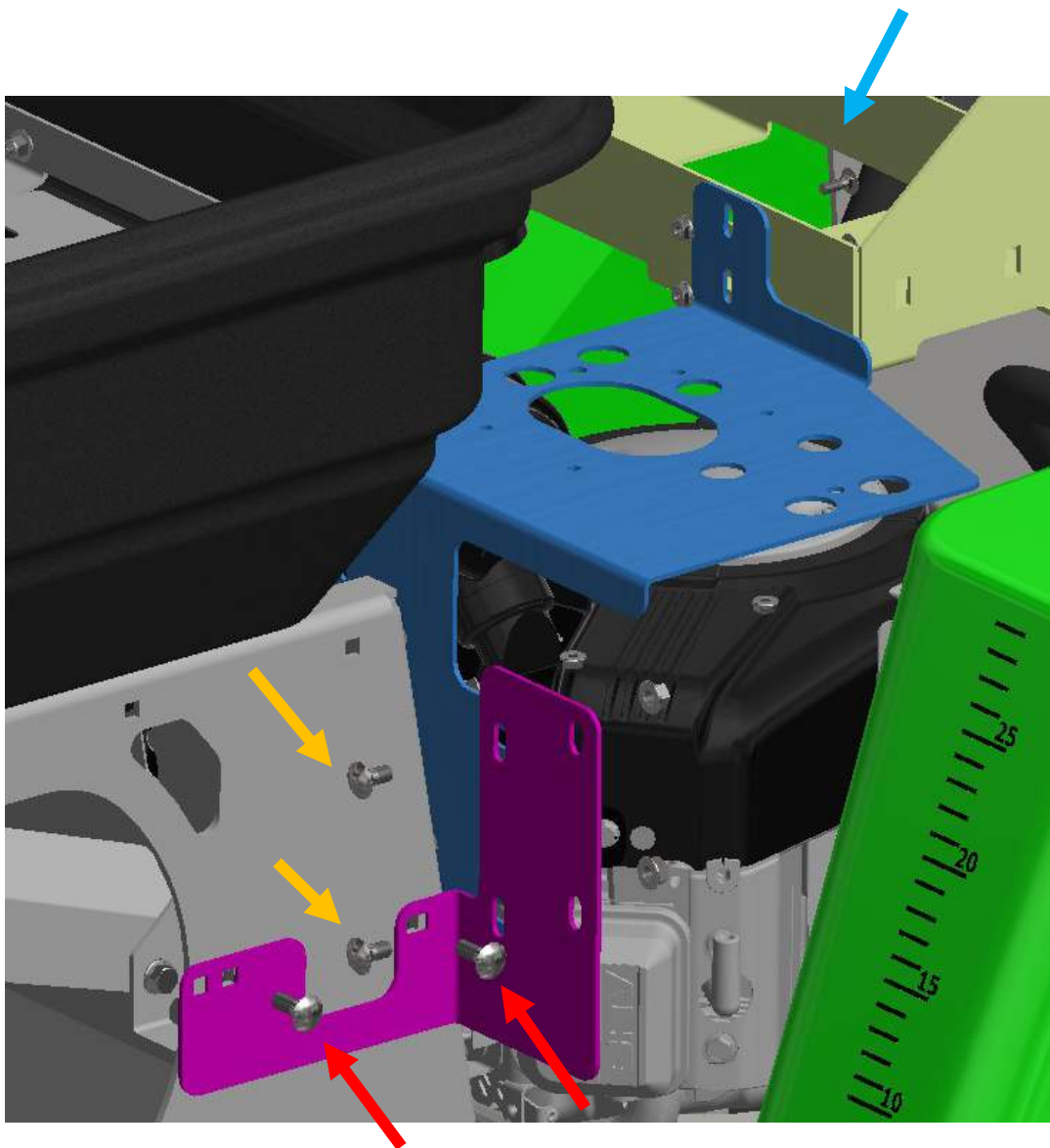
2.5 GAL. FOAM MARKER ASSEMBLY INSTRUCTIONS

STEP THREE:

Install the foam marker pump assembly.

- Attach the lower support bracket to the side of the hopper with 3/8" X 1" carriage bolts. (part shown below in purple)
- Attach the upper support bracket to the lower support bracket & the gas tank support. Lower bracket - 3/8" X 3/4", gas tank support - 1/4" X 3/4" carriage bolts.

NOTE: *Parts are shown in colors for clarity.*

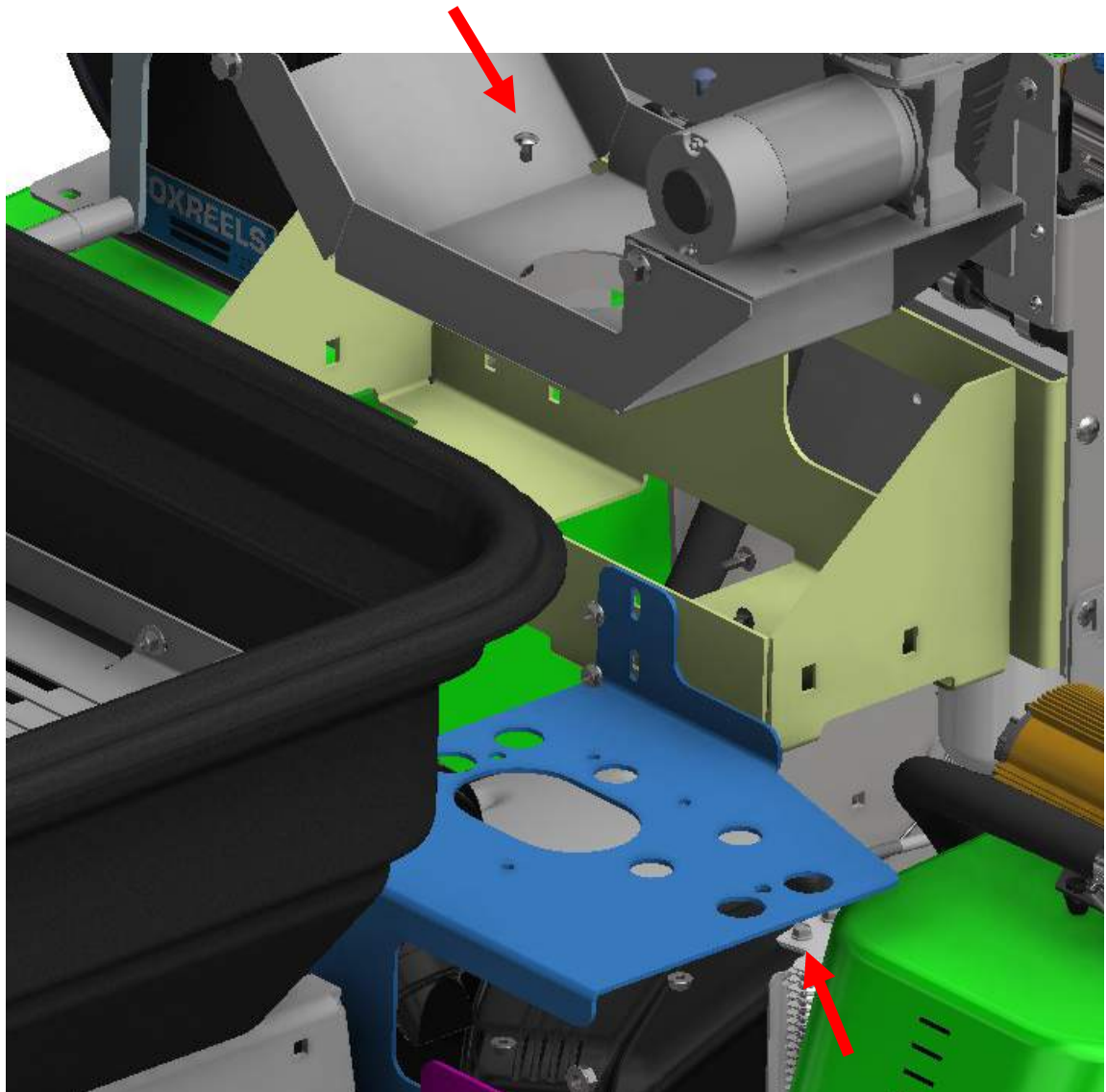


2.5 GAL. FOAM MARKER ASSEMBLY INSTRUCTIONS

- Remove the tank from the foam marker assembly.
- Attach the foam marker assembly to the support bracket (2) 1/4" X 1/2" carriage bolts.

NOTE:

- *Once the foam marker is installed, reinstall the foam marker tank.*
- *Parts are shown in color for clarity.*

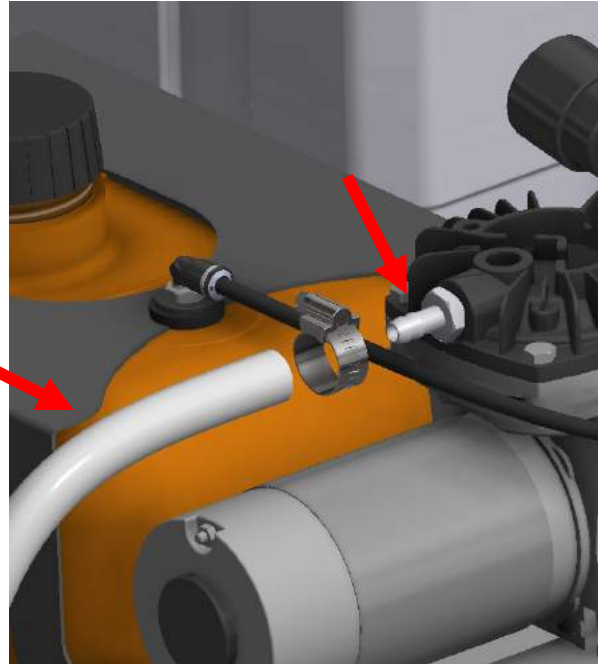


2.5 GAL. FOAM MARKER ASSEMBLY INSTRUCTIONS

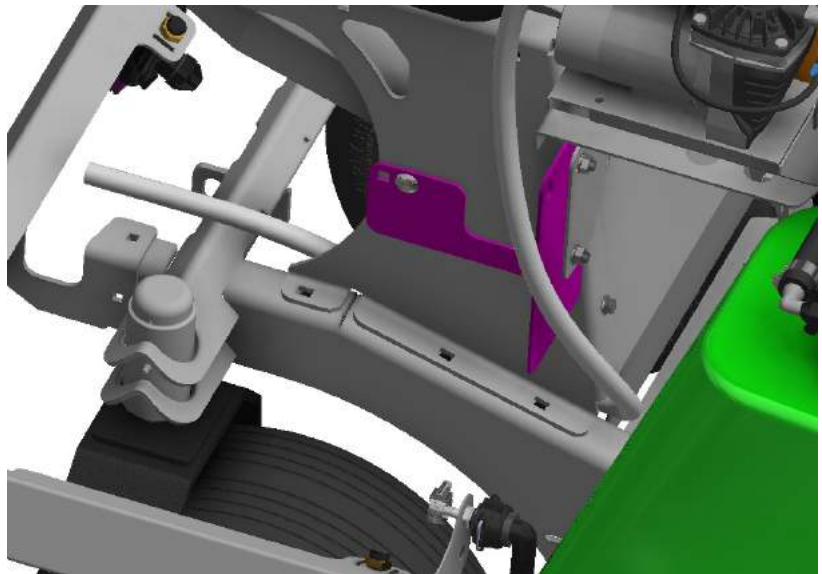
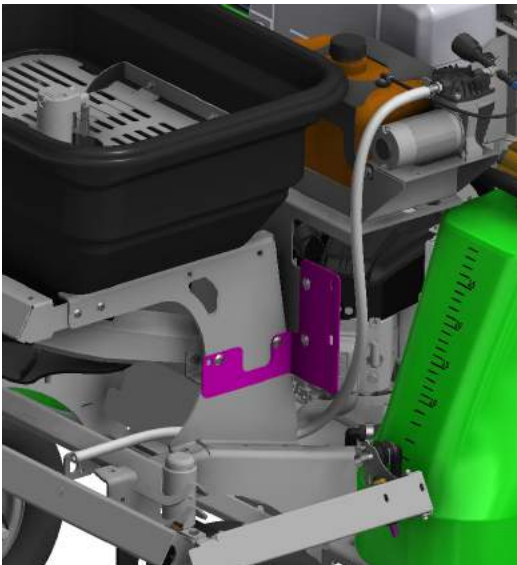
STEP FOUR:

- Connect one end of the 3/8" hose to barb fitting on the motor.

A



- Route the hose down and along the inside of the hopper.

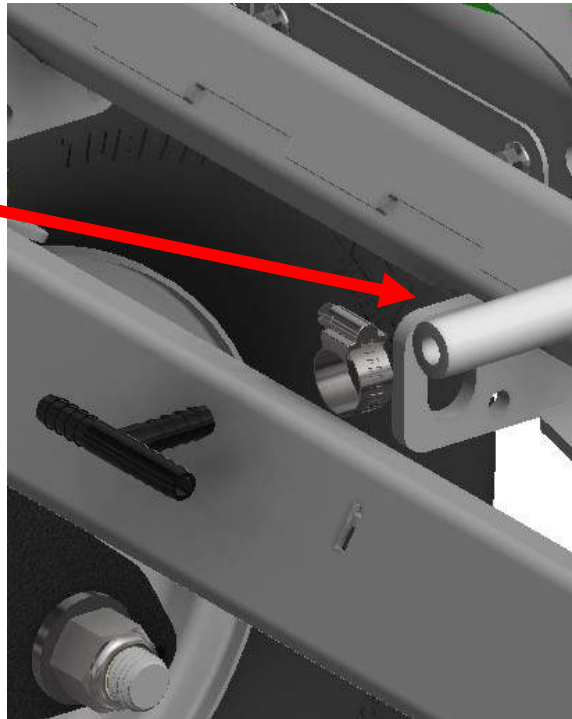


2.5 GAL. FOAM MARKER ASSEMBLY INSTRUCTIONS

STEP FIVE:

- Connect the other end of the 3/8" hose to the barb tee fitting.

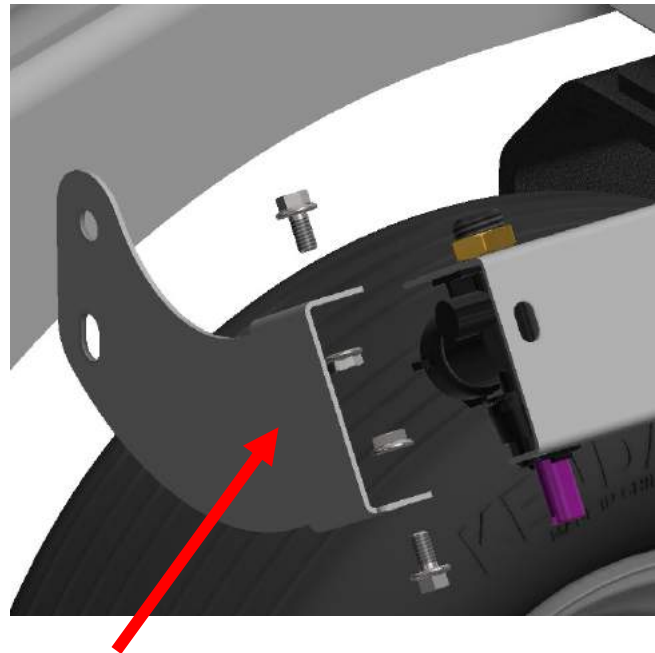
A



STEP SIX: Attach the foam marker bracket to the end of the boom.

NOTE:

- Repeat step *four* for the other side of the boom.
- *Note the orientation of the bracket for left and right side.*



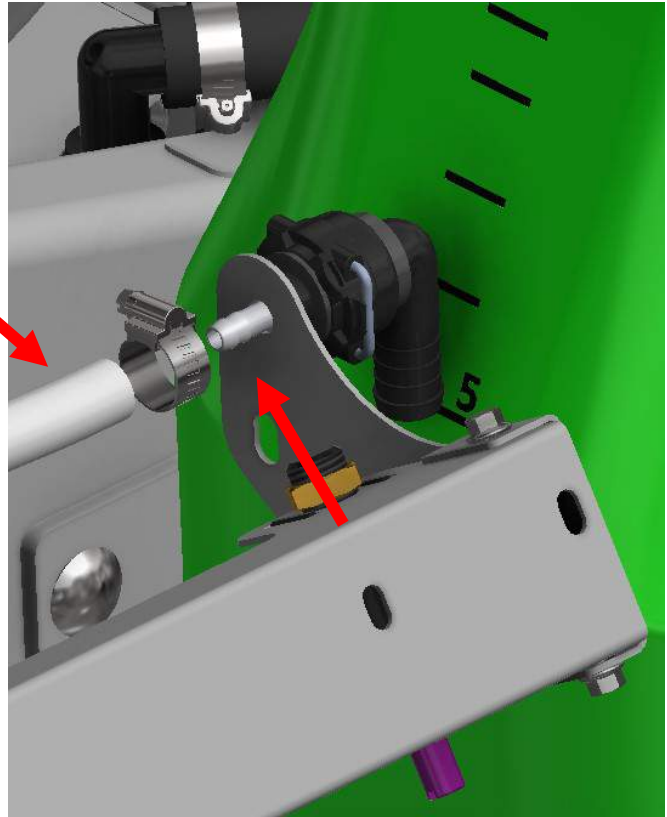
RIGHT SIDE

2.5 GAL. FOAM MARKER ASSEMBLY INSTRUCTIONS

STEP SEVEN: *LEFT SIDE*

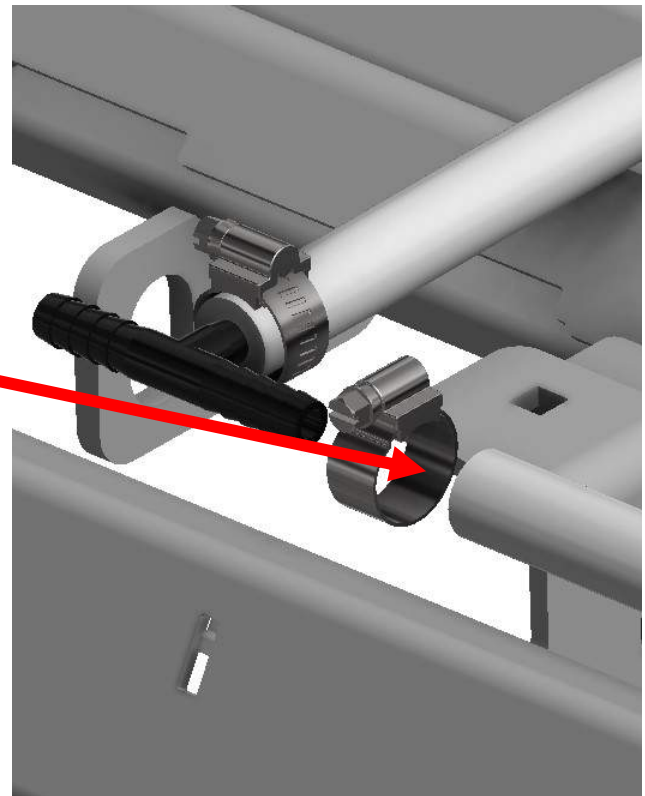
- Attach the foam marker dropper to the bracket, securing it with 3/8" hose and hose clamp.

B



- Connect the other end of the hose to the 3/8" hose barb tee fitting, securing it with 3/8" hose clamp.

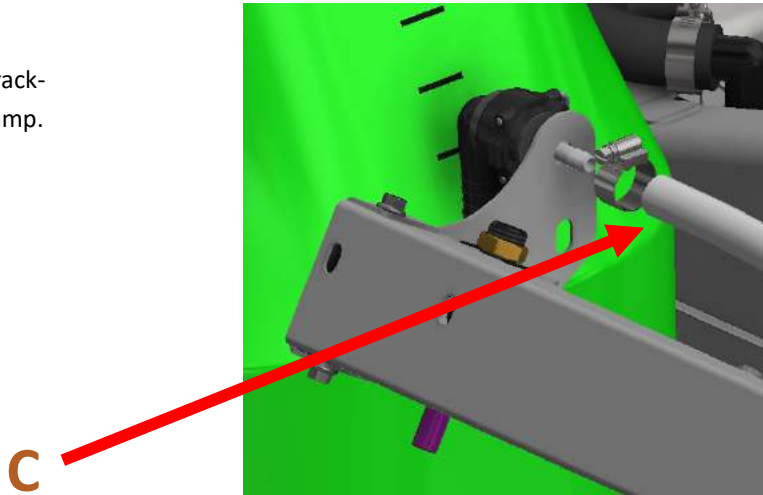
B



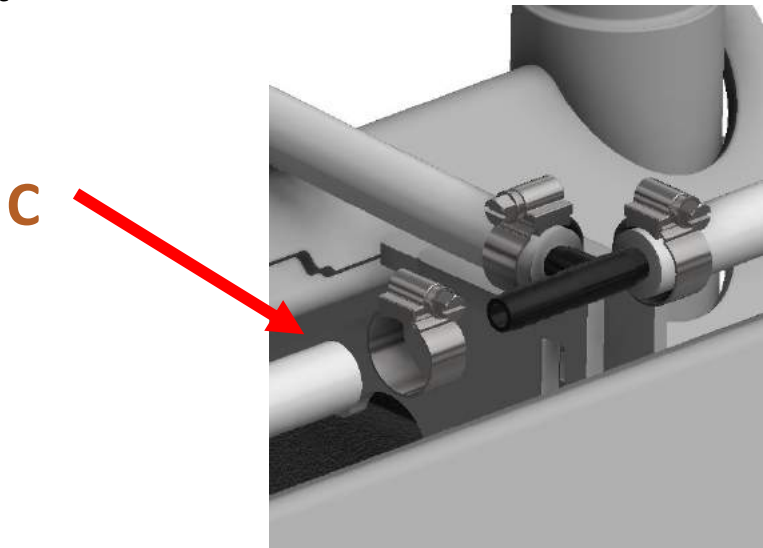
2.5 GAL. FOAM MARKER ASSEMBLY INSTRUCTIONS

STEP EIGHT: *RIGHT SIDE*

- Attach the foam marker dropper to the bracket, securing it with 3/8" hose and hose clamp.



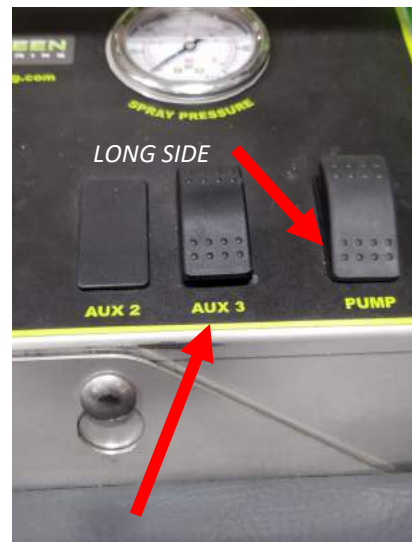
- Connect the other end of the hose to the 3/8" hose barb tee fitting, securing it with 3/8" hose clamp.



STEP NINE:

- Remove the plastic cap from "aux 3" in the panel and route the wiring harness down through the hole in the dash panel.
- Attach the "rocker switch" to the dash panel.

NOTE: *The long side of the rocker switch should face down.*



2.5 GAL. FOAM MARKER ASSEMBLY INSTRUCTIONS

STEP TEN: Continue to route the wiring harness down through the uprights attaching it with zip ties as necessary.



STEP ELEVEN: Connect the ground wire from the wiring harness to the up right cross member.



STEP TWELVE: Plug the pump power connector from the harness to the foam marker power connector.



2.5 GAL. FOAM MARKER ASSEMBLY INSTRUCTIONS

STEP THIRTEEN:

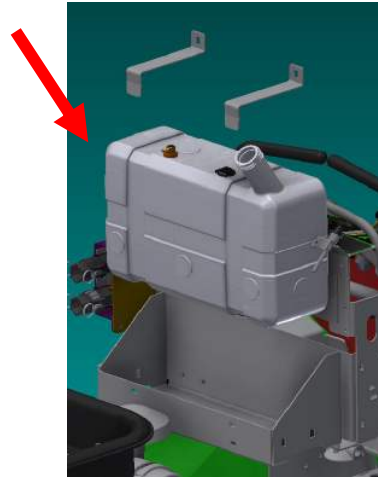
- Reinstall the fuel tank.
- Squeeze the hose clamp and slide it back.
- Reconnect both fuel lines.

CAUTION!

- Beware of excess fuel in the lines.
- Fuel spillage.

WARNING!

- Flammable gas.



ENGINE SUPPLY LINE

PRESSURE RELIEF



STEP FOURTEEN: Reconnect the battery *power wire* first along with the *yellow power wire* from the wiring harness, and then reconnect the *ground wire*.





MADE IN THE USA

Steel Green Mfg.
920 S State Road 39
Lebanon, IN 46052
(756)-481-2890
www.steelgreenmfg.com

SG52/46 KIT P10020