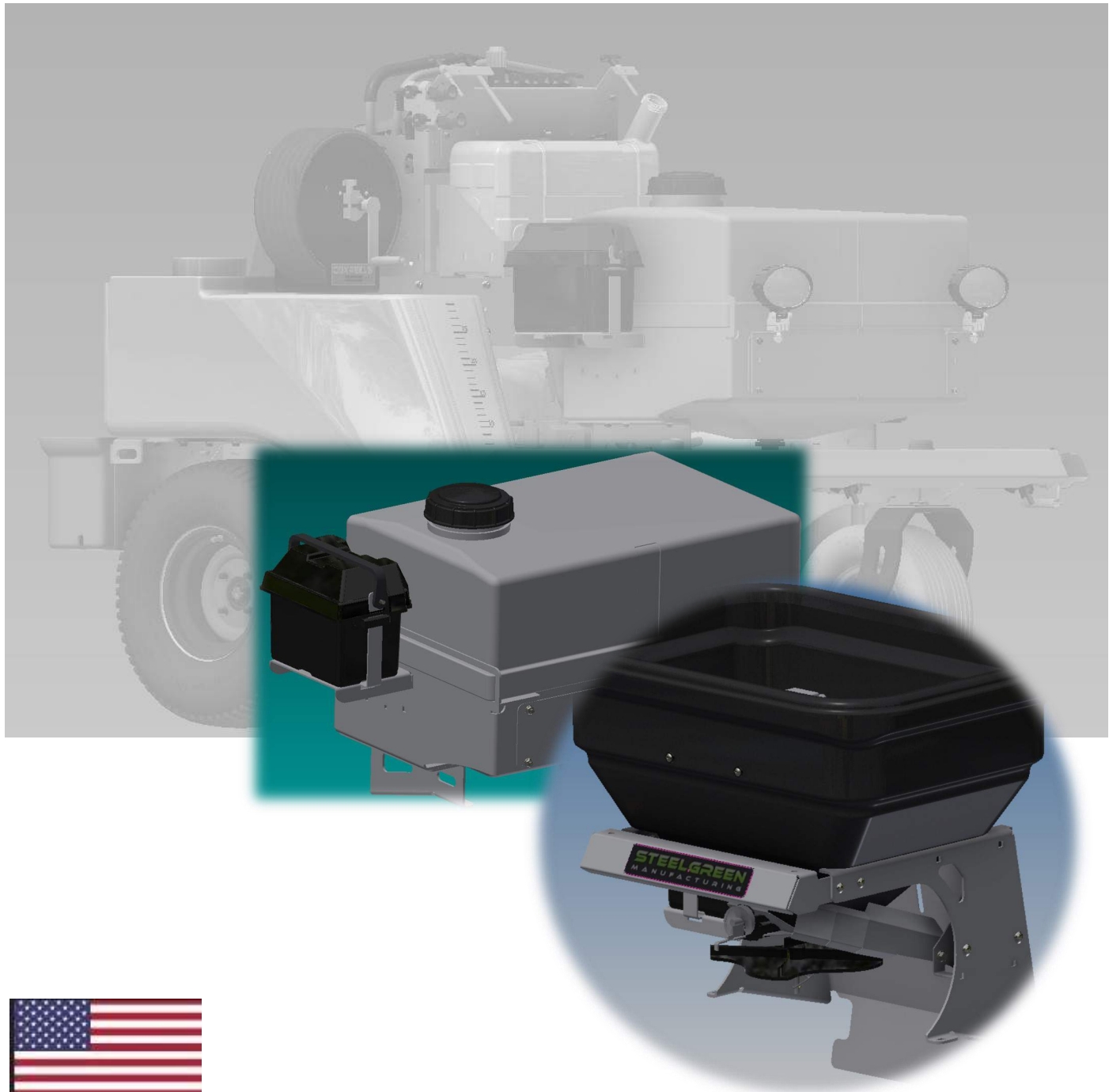


**INSTRUCTION MANUAL**

**35 GALLON \ HOPPER SWAP INSTRUCTIONS**



## 35 GALLON \ HOPPER SWAP INSTRUCTIONS

**NOTE:** Before proceeding with the following steps be sure the tank is drained.

### STEP ONE:

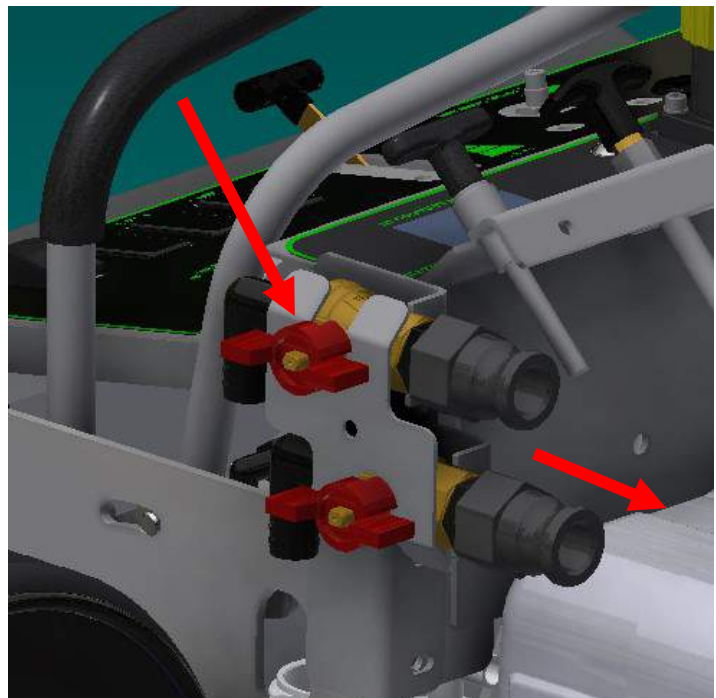
- Disconnect the battery, *ground* first and then *power* wire.
- Remove the battery from the battery box.



GROUND

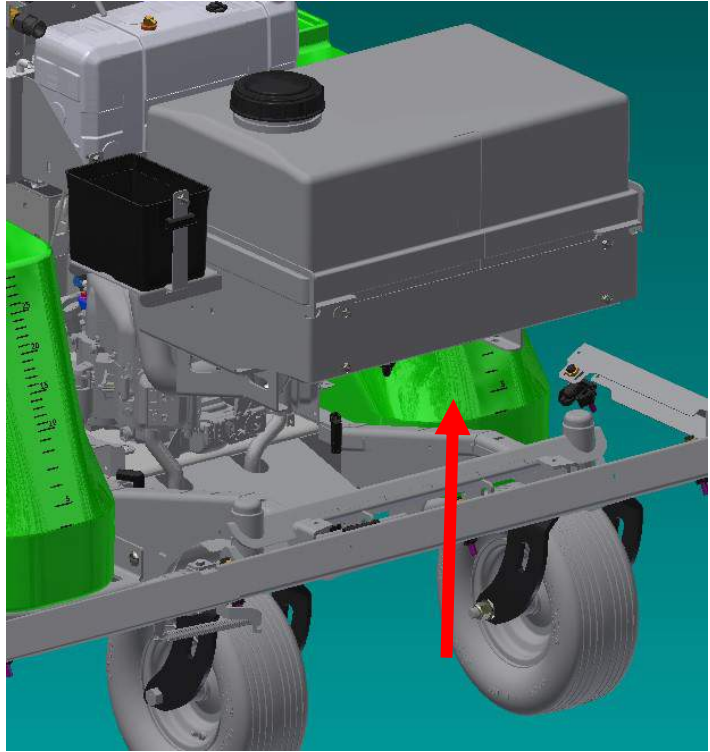
POWER

**STEP TWO:** Be sure both valves are closed and disconnect the two hoses.

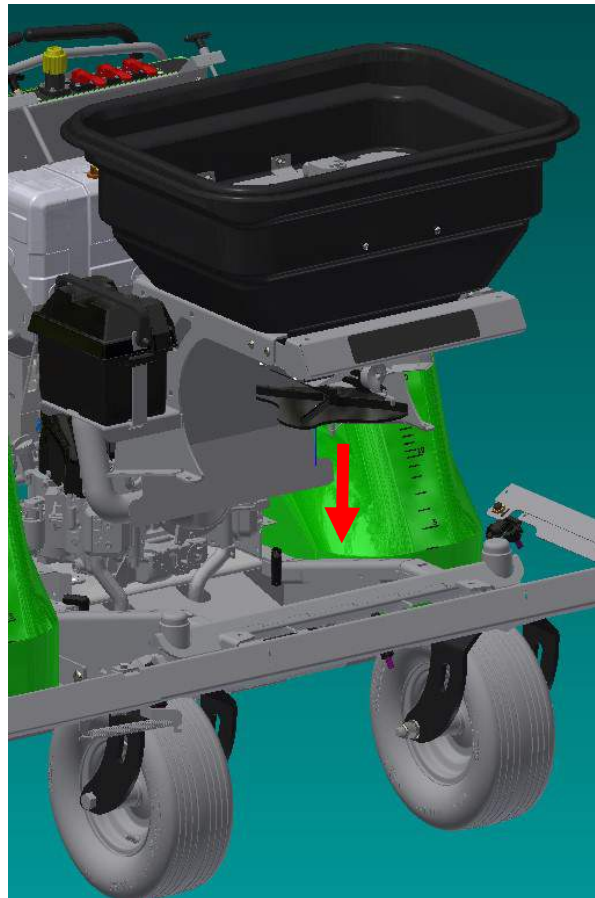


## 35 GALLON \ HOPPER SWAP INSTRUCTIONS

**STEP THREE:** Remove the six bolts from the frame and lift the 35 gallon tank off of the frame.



**STEP FOUR:** Set the hopper assembly on the frame and attach it with six bolts.

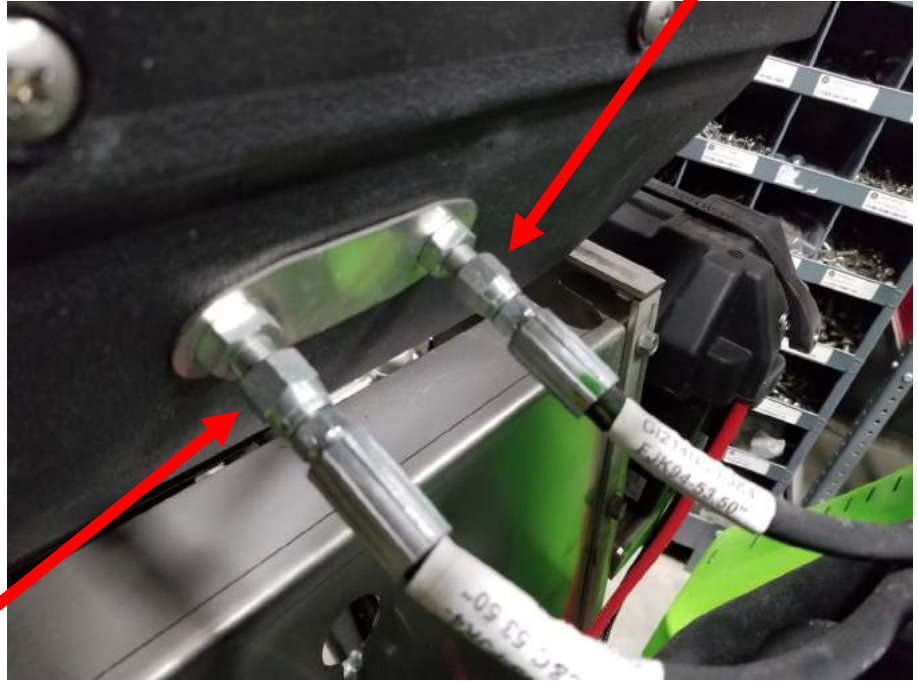


## 35 GALLON \ HOPPER SWAP INSTRUCTIONS

**STEP FIVE:** Disconnect the hydraulic hoses from the circulation fitting and reconnect them to the hopper.

- “Motor Input” port on the hopper.
- “Motor Output” port on the hopper.

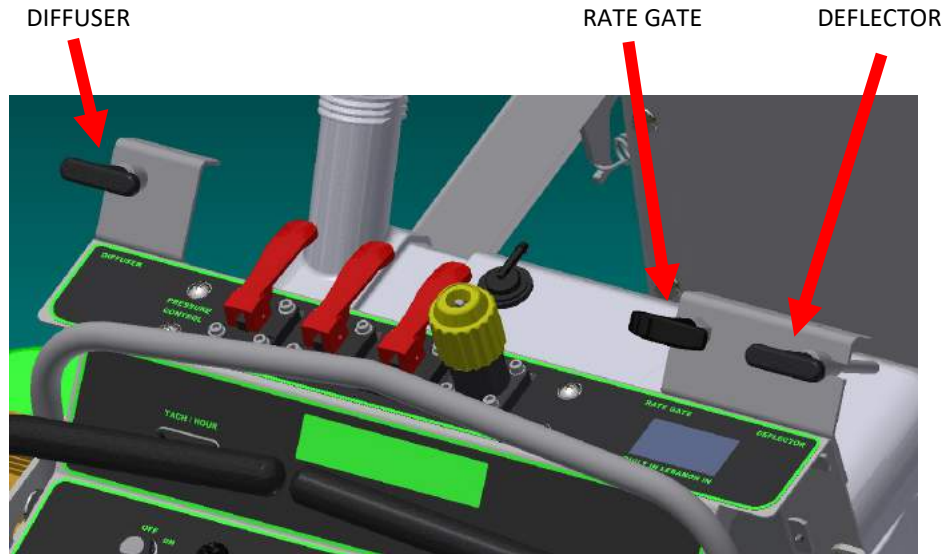
Motor Output



Motor Input Port

## 35 GALLON \ HOPPER SWAP INSTRUCTIONS

**STEP SIX:** Attach the cable handles to the dash.



### STEP SEVEN:

- Set the battery in the battery box.
- Reattach the battery cables, power cable and wires first followed by the ground wire.
- Attach the battery box cover and bungee strap.



GROUND

POWER

## HOPPER \ 35 GALLON SWAP INSTRUCTIONS

### HOPPER TO 35 GALLON SWAP

**NOTE:** Before proceeding with the following steps be sure the hopper is empty.

#### STEP ONE:

- Disconnect the battery, *ground* first and then *power* wire.
- Remove the battery from the battery box.



GROUND

POWER

**STEP TWO:** Disconnect the hoses from the hopper and connect them to the circulation fitting.

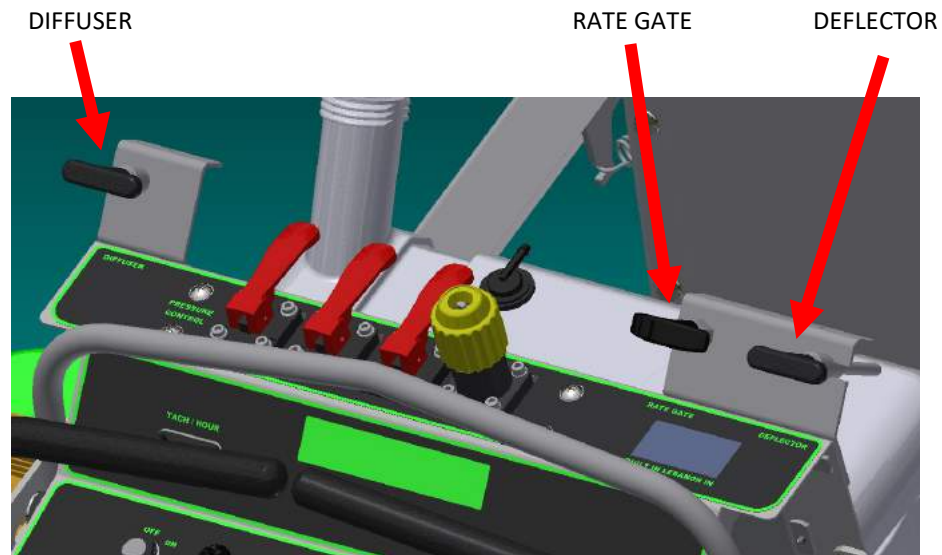
**TIP** – Hold the hoses up to prevent oil spillage.



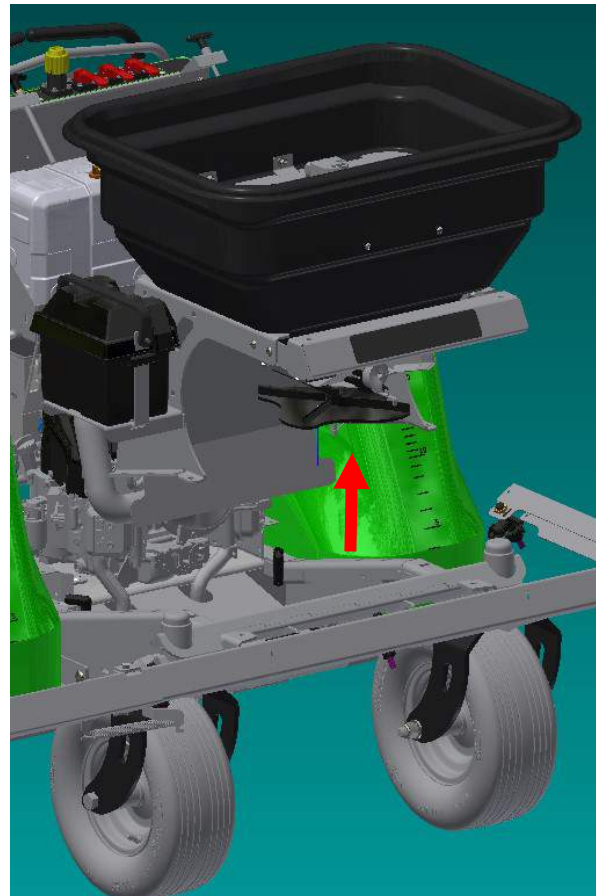
## HOPPER \ 35 GALLON SWAP INSTRUCTIONS

### STEP THREE:

- Disconnect the cables from the dash.

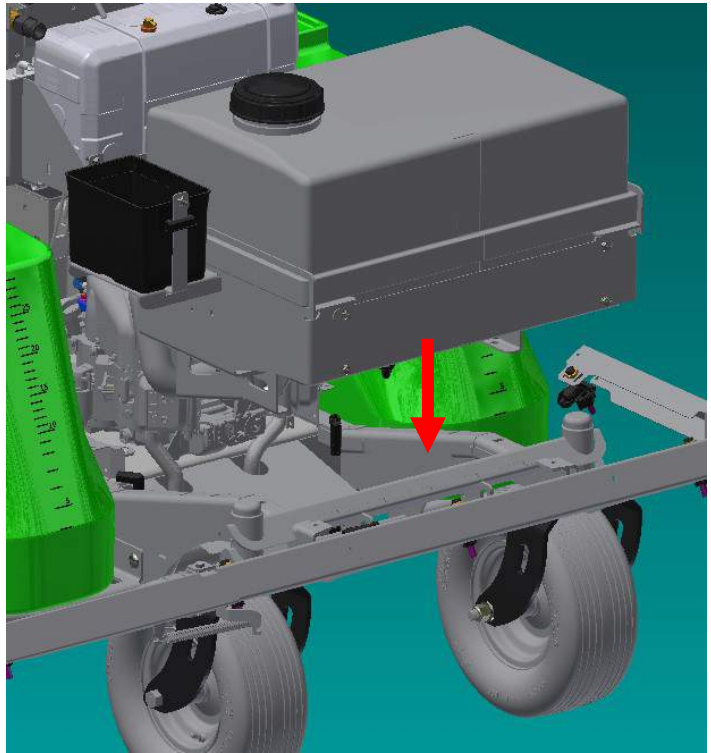


**STEP FOUR:** Remove the six bolts from the hopper assembly and lift it from the frame.



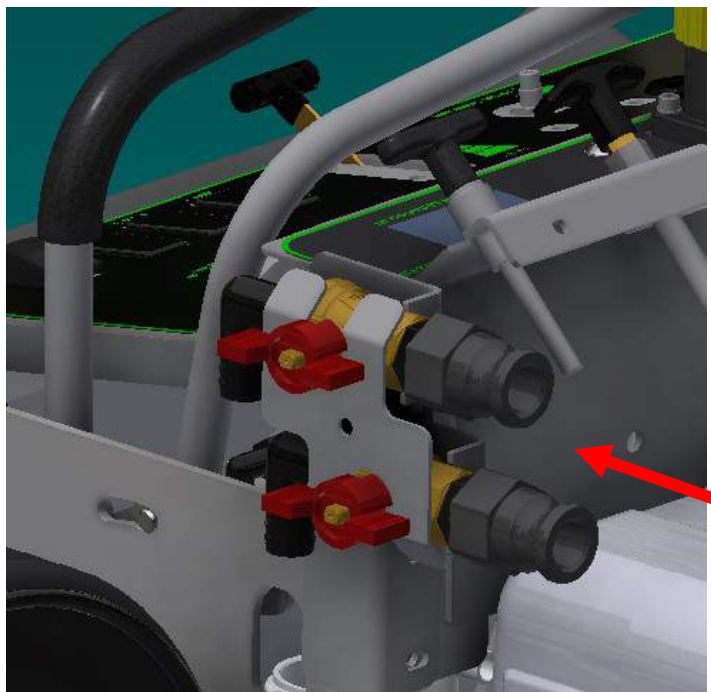
## HOPPER \ 35 GALLON SWAP INSTRUCTIONS

**STEP FIVE:** Set the 35 gallon tank on the frame and attach it with the six bolts.



**STEP SIX:** Connect the hoses to the valves.

- Top valve is **Suction**.
- Bottom valve is **Return**.





## HOPPER \ 35 GALLON SWAP INSTRUCTIONS

### STEP SEVEN:

- Set the battery in the battery box.
- Reattach the battery cables, power cable and wires first followed by the ground wire.
- Attach the battery box cover and bungee strap.



GROUND

POWER



**MADE IN THE USA**

Steel Green Mfg.  
920 S State Road 39  
Lebanon, IN 46052  
(756)-481-2890  
[www.steelgreenmfg.com](http://www.steelgreenmfg.com)

SG 35 Gallon \ Hopper Swap Instructions