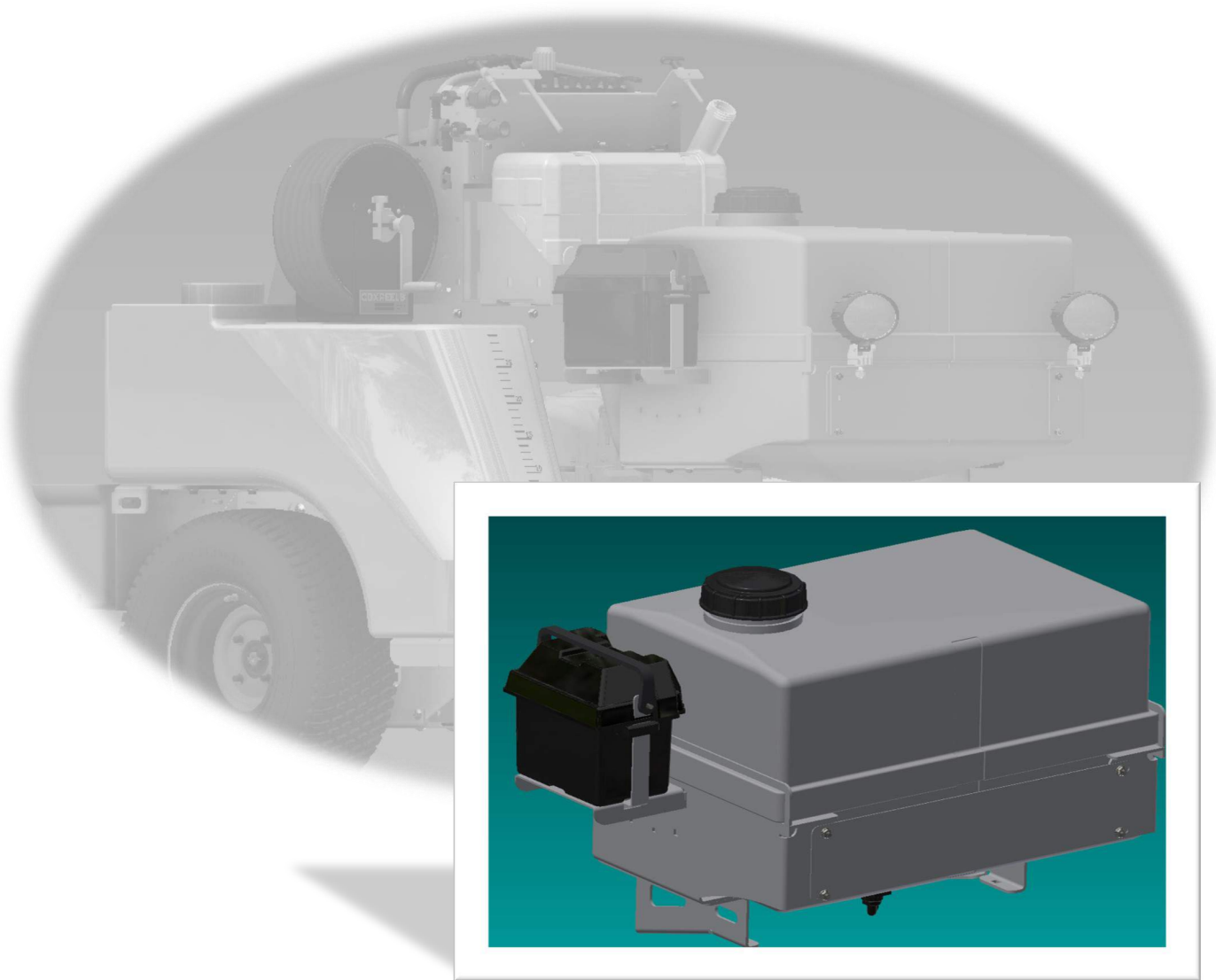


**INSTRUCTION MANUAL**

**35 GALLON SUPPLEMENTAL\ INSTALL**



## 35 GALLON INSTALL INSTRUCTIONS

### STEP ONE:

- Disconnect the battery, *ground* first and then *power* wire.
- Remove the battery from the battery box.



GROUND

POWER

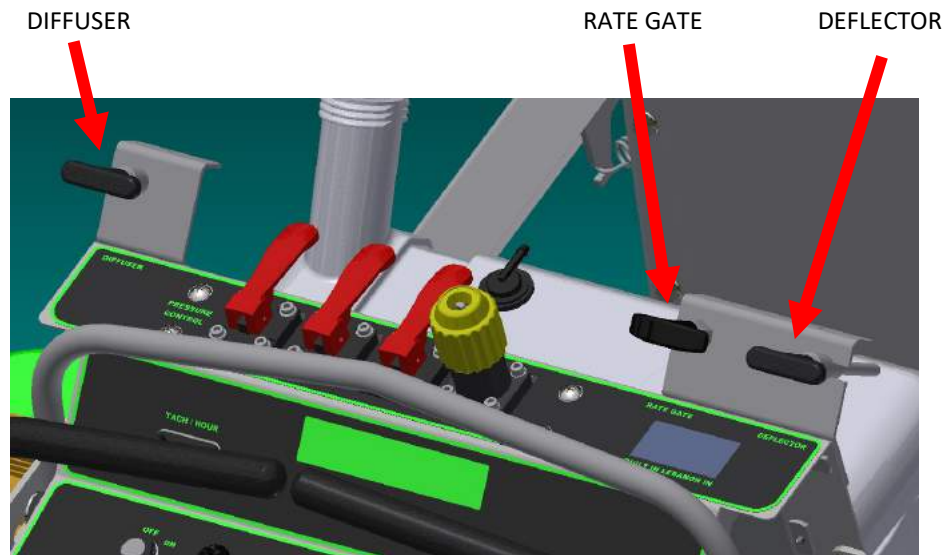
**STEP TWO:** Disconnect the hoses from the hopper and connect them to the circulation fitting.

**TIP –** Hold the hoses up to prevent oil spillage



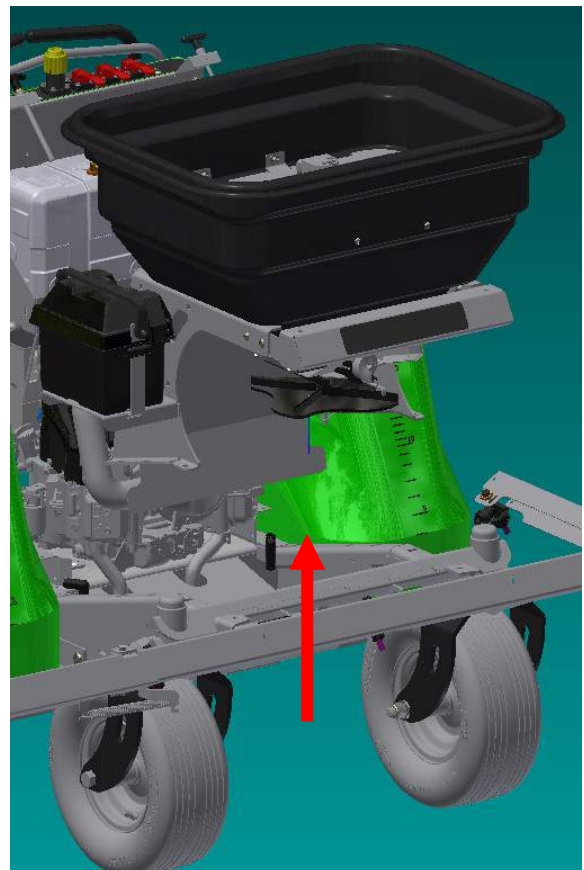
## 35 GALLON INSTALL INSTRUCTIONS

**STEP THREE:** Disconnect the cables from the dash.



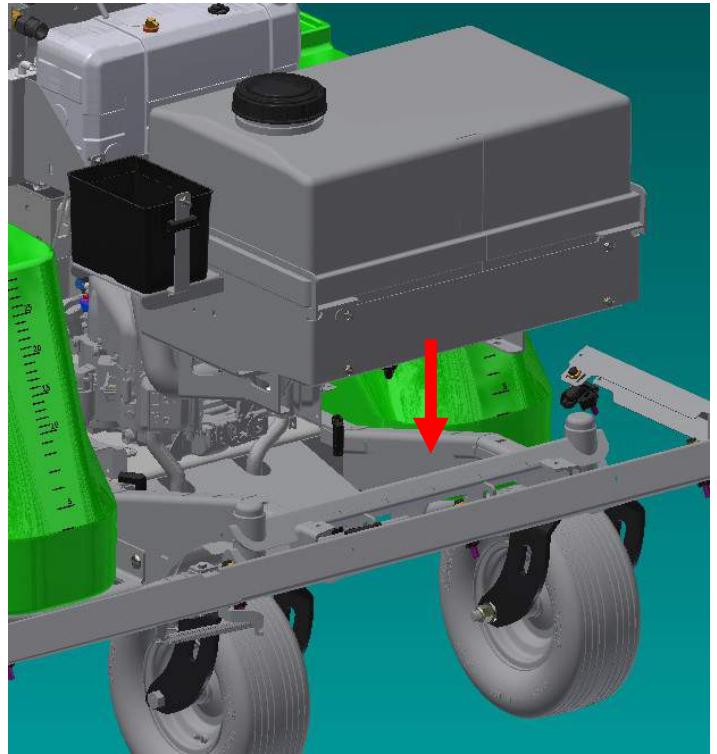
**NOTE:** *Be sure the hopper is empty before proceeding.*

**STEP FOUR:** Remove the six bolts that hold the hopper assembly to the frame and lift the hopper assembly from the frame.

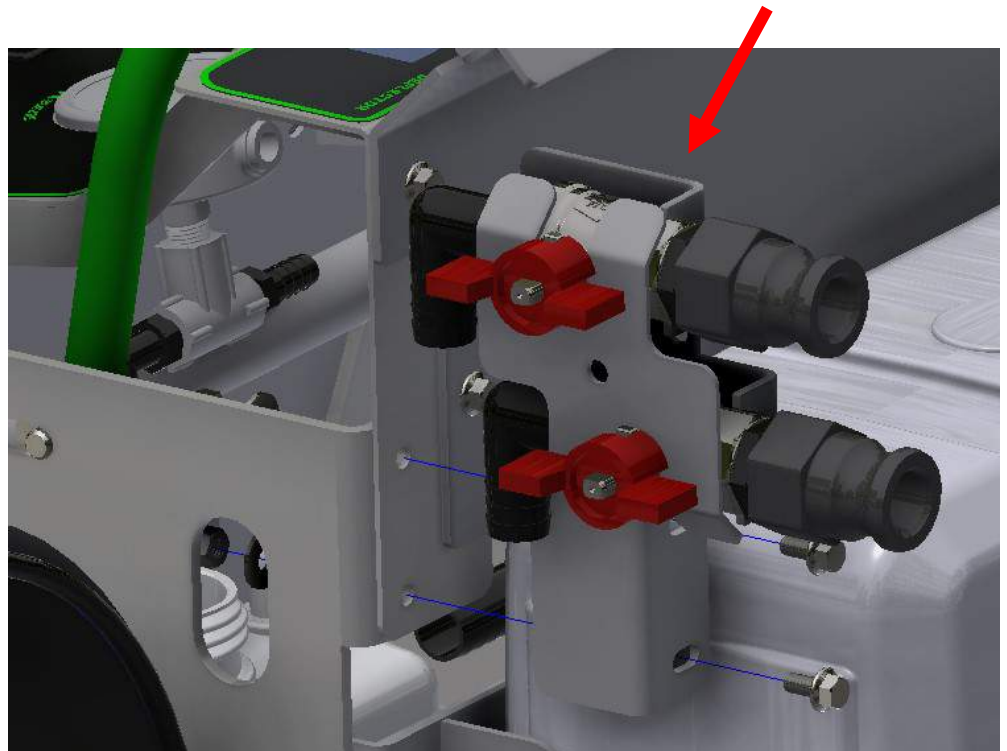


## 35 GALLON INSTALL INSTRUCTIONS

**STEP FIVE:** Set the 35 gallon tank assembly on the frame and attach it to the frame with the six bolts.



**STEP SIX:** Attach the valve assembly to the corner of the dash panel.





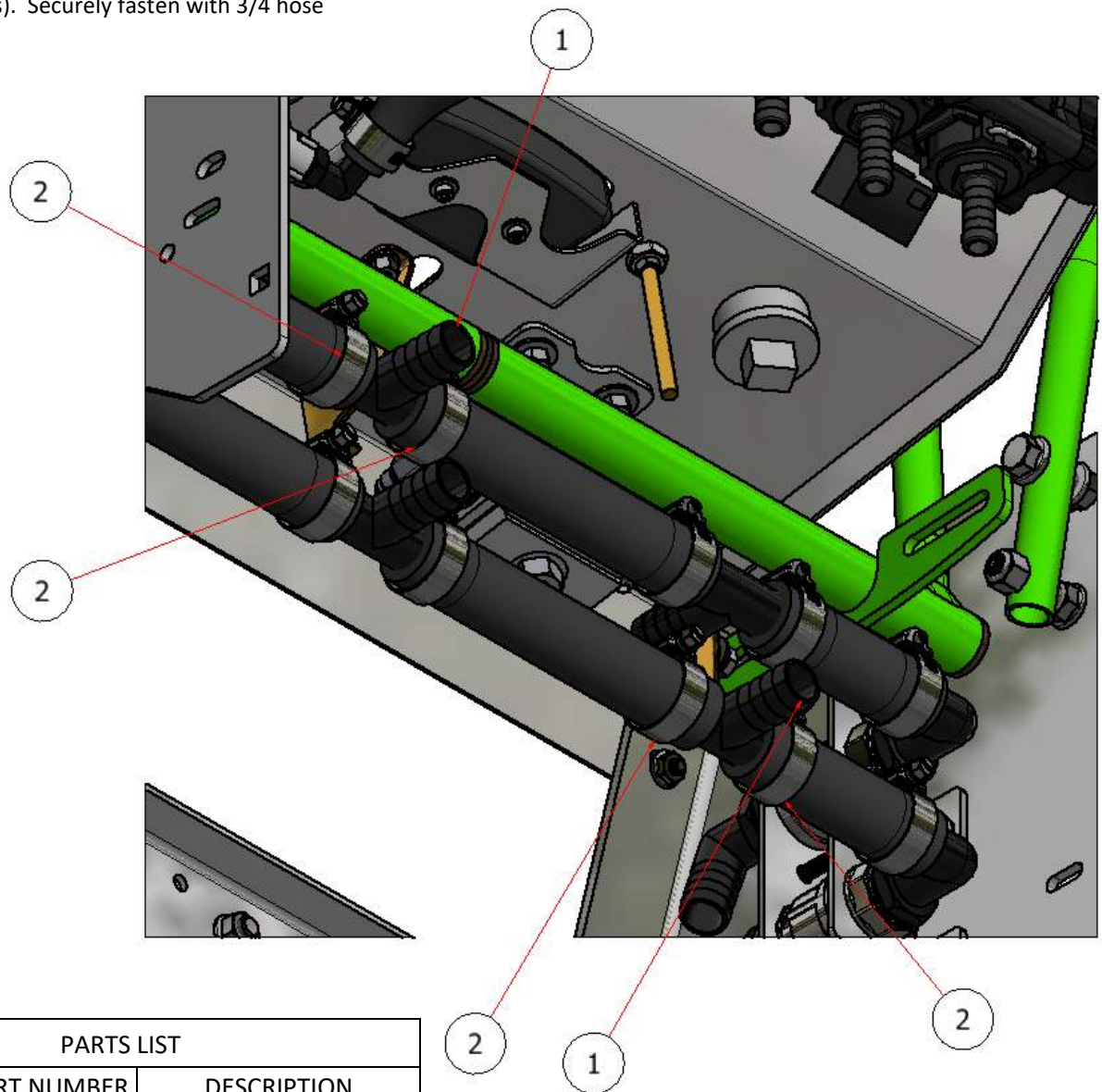
## 35 GALLON INSTALL INSTRUCTIONS

### NOTE:

- Before beginning step seven, BE SURE there is no pressure on the lines and fluid is drained.
- Parts removed for clarity.

### STEP SEVEN:

- Remove the knee pad to access the return & suction lines.
- Carefully cut and install the “tee” fittings in the “suction” and “return” lines as shown (blue arrows). Securely fasten with 3/4 hose clamps.

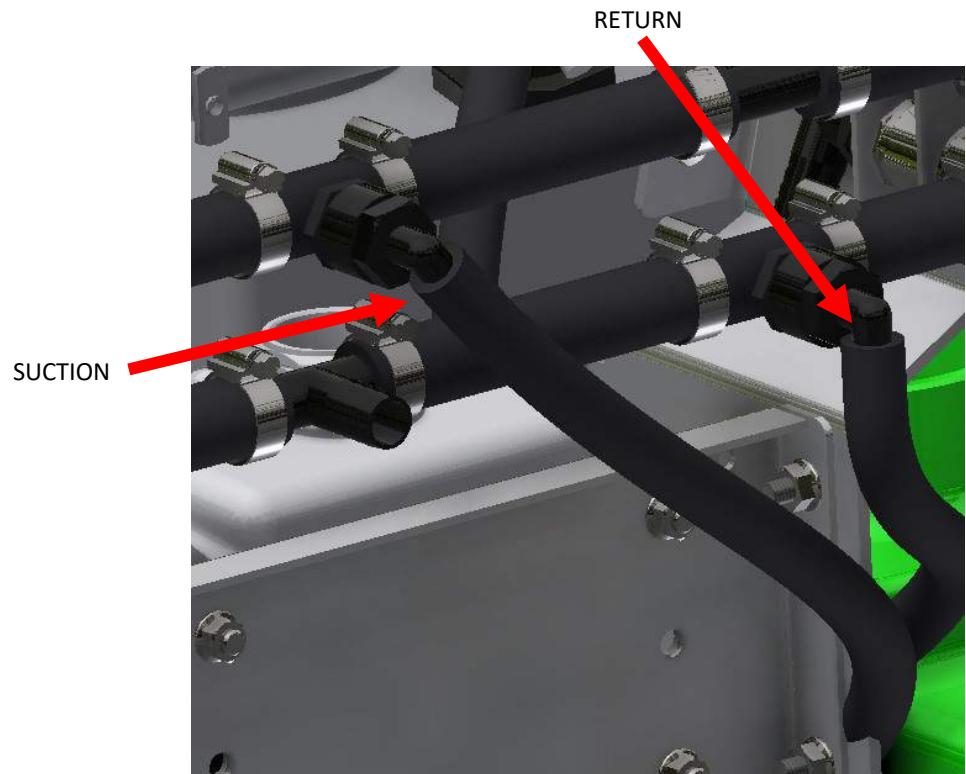
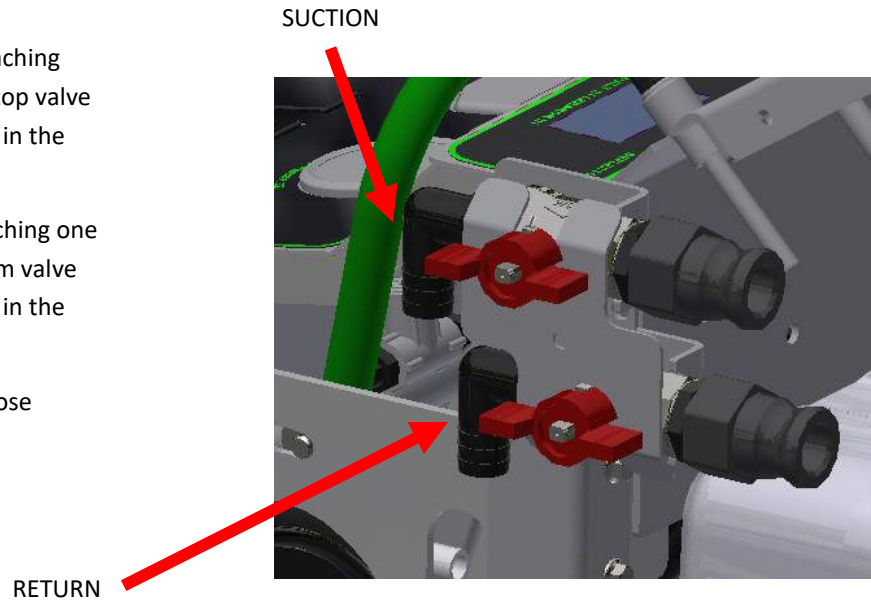


| PARTS LIST |     |             |                       |
|------------|-----|-------------|-----------------------|
| ITEM       | QTY | PART NUMBER | DESCRIPTION           |
| 1          | 4   | 12HS        | HOSE CLAMP, 3/4       |
| 2          | 2   | S50062      | TEE FITTING, 3/4 HOSE |

## 35 GALLON INSTALL INSTRUCTIONS

### STEP EIGHT:

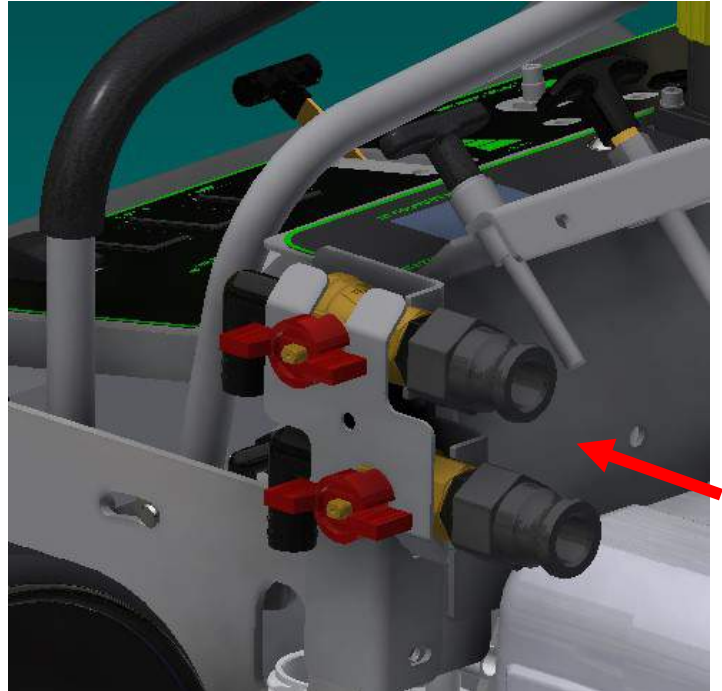
- Cut and install 3/4" suction hose, attaching one end to the suction fitting on the top valve and the other end to the "tee" fitting in the suction line.
- Cut and install 3/4" return hose, attaching one end to the return fitting on the bottom valve and the other end to the "tee" fitting in the return line.
- Securely fasten each end with 3/4" hose clamp.



## 35 GALLON INSTALL INSTRUCTIONS

**STEP NINE:** Connect the “quick disconnect” hoses from the tank to the valves.

- Top valve is **Suction**.
- Bottom valve is **Return**.



**STEP TEN:**

- Set the battery in the battery box.
- Reattach the battery cables, power cable and wires first followed by the ground wire.
- Attach the battery box cover and bungee strap.



GROUND

POWER



**MADE IN THE USA**

Steel Green Mfg.  
920 S State Road 39  
Lebanon, IN 46052  
(756)-481-2890  
[www.steelgreenmfg.com](http://www.steelgreenmfg.com)

SG 35 Gallon install