

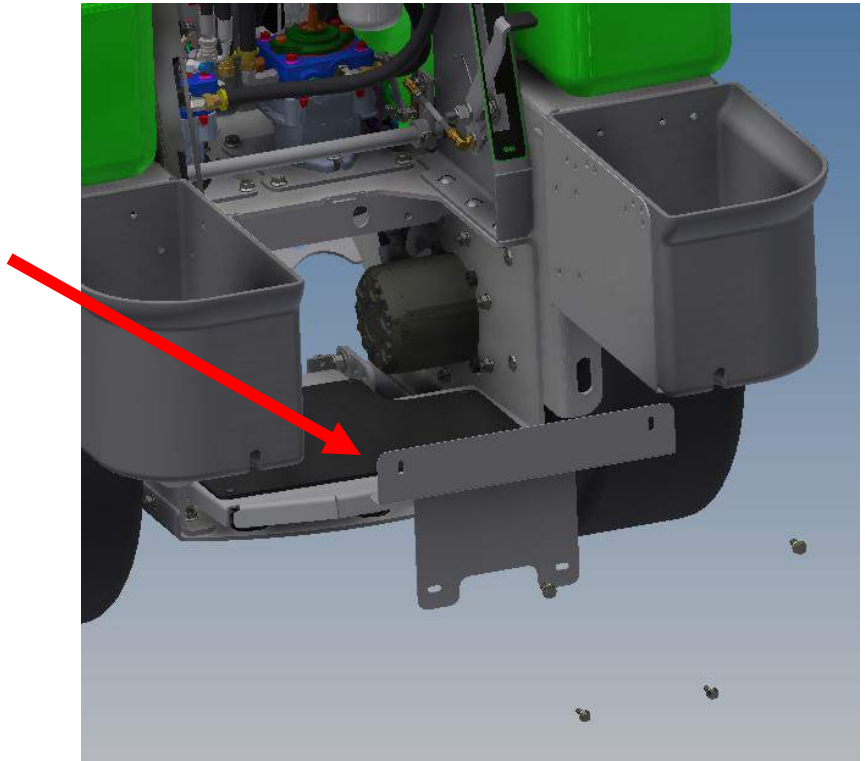
INSTRUCTION MANUAL

SG DRIVE BELT REPLACEMENT



DRIVE BELT SWAP INSTRUCTIONS

STEP ONE: Remove the kick panel from the machine.

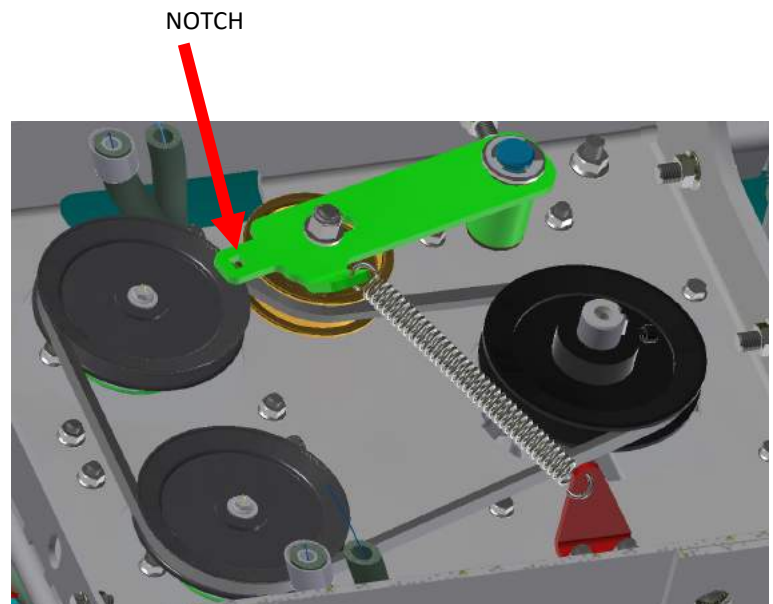


NOTE:

- *Before starting the next step, note there is a notch in the idler arm for a 3/8" ratchet.*
- *If the ratchet should not fit the notch, use a file to remove any burs.*

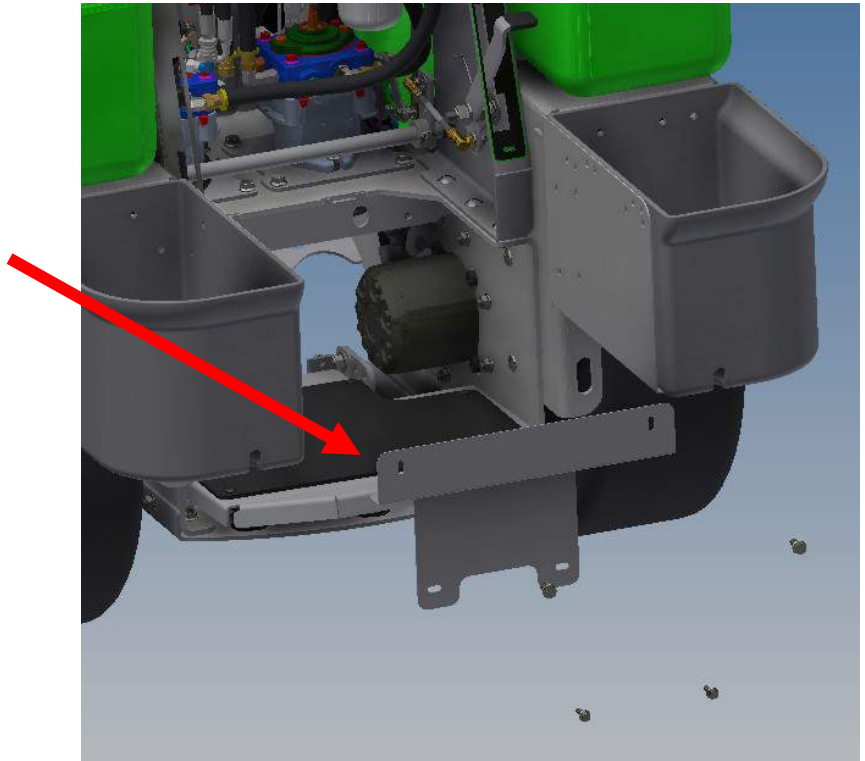
STEP TWO:

- Reach in from the rear of the machine with a 3/8" ratchet and attach it to the notch in the idler arm.
- Release the tension from the old belt and remove it.
- Hold the idler arm back and install the new belt, release the idler arm to reapply tension, and remove the ratchet.



DRIVE BELT SWAP INSTRUCTIONS

STEP THREE: Reinstall the kick panel to the machine.





MADE IN THE USA

Steel Green Mfg.
920 S State Road 39
Lebanon, IN 46052
(756)-481-2890
www.steelgreenmfg.com

SG DRIVE BELT SWAP