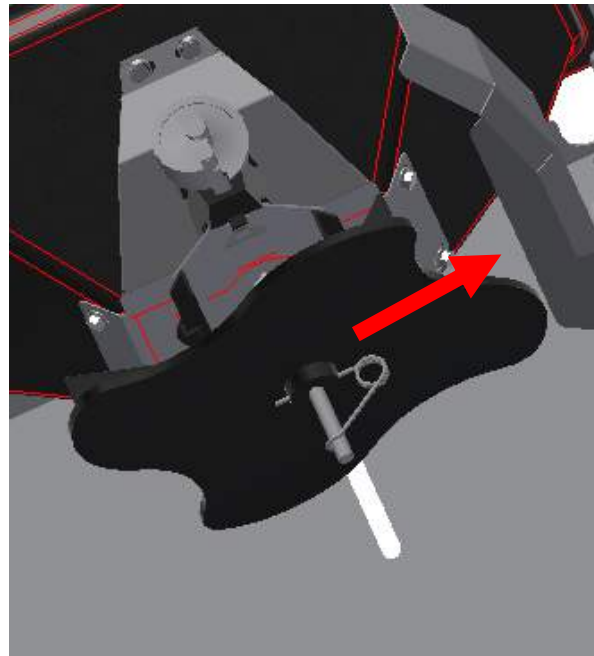
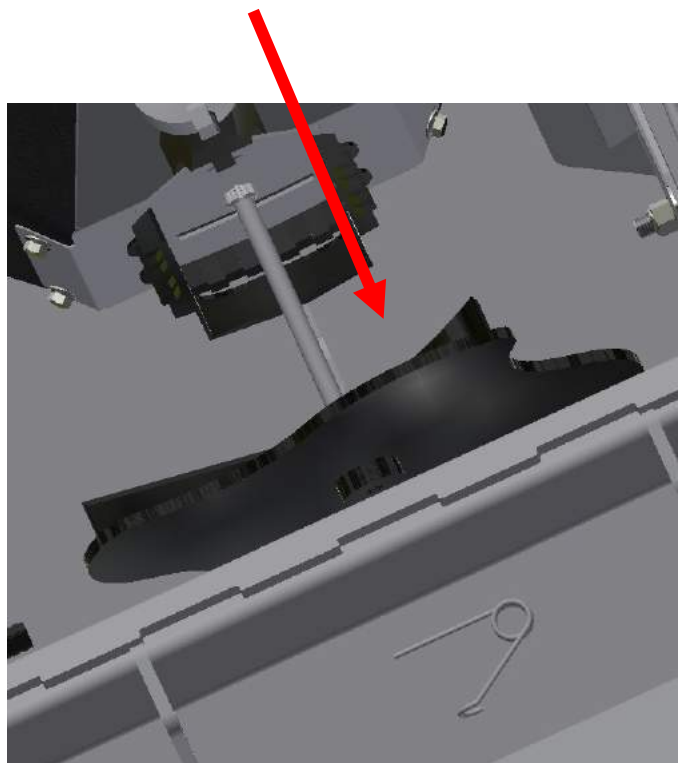


HOPPER DRAIN INSTRUCTIONS

STEP ONE: Squeeze and rotate the spring to disconnect it from the rod, then pull it out of the spinner.

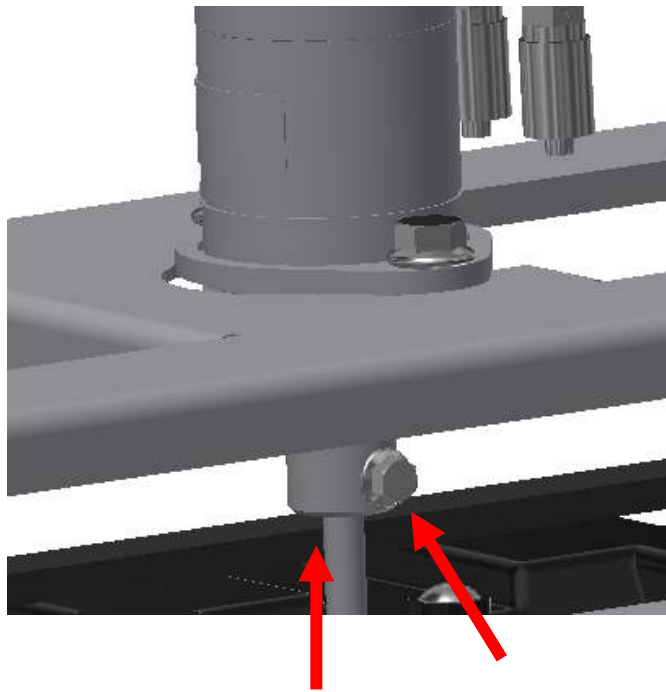


STEP TWO: Slide the spinner off of the rod.



HOPPER DRAIN INSTRUCTIONS

Note: It may be necessary to loosen the bolt and move the rod up to allow enough room to remove the spinner.



STEP TWO: Place a bucket under the hopper trap, open the trap to drain the hopper.

