

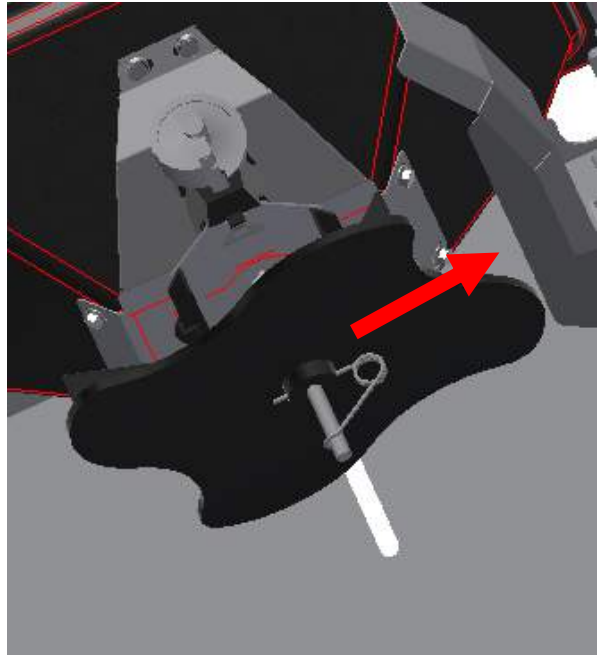
INSTRUCTION MANUAL

HOPPER DRAIN INSTRUCTIONS

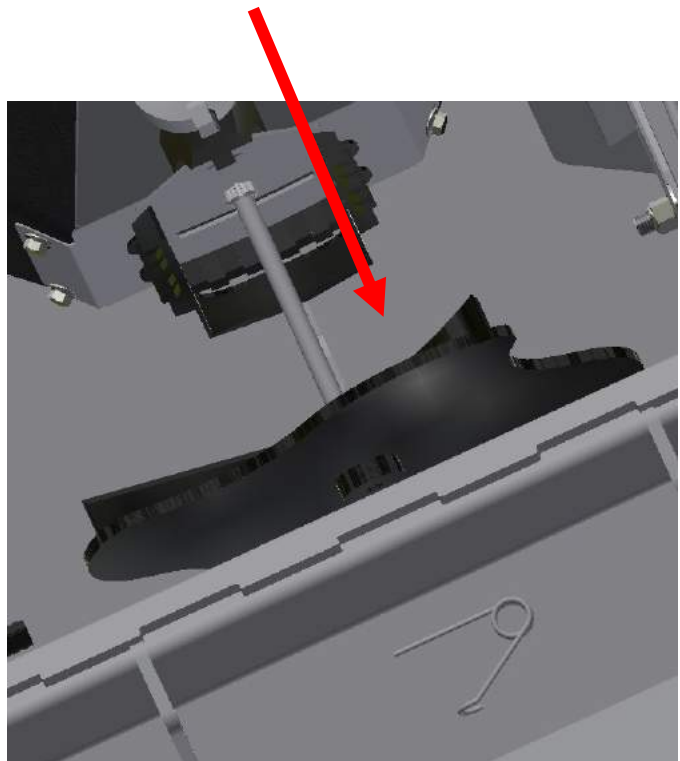


HOPPER DRAIN INSTRUCTIONS

STEP ONE: Squeeze and rotate the spring to disconnect it from the rod, then pull it out of the spinner.

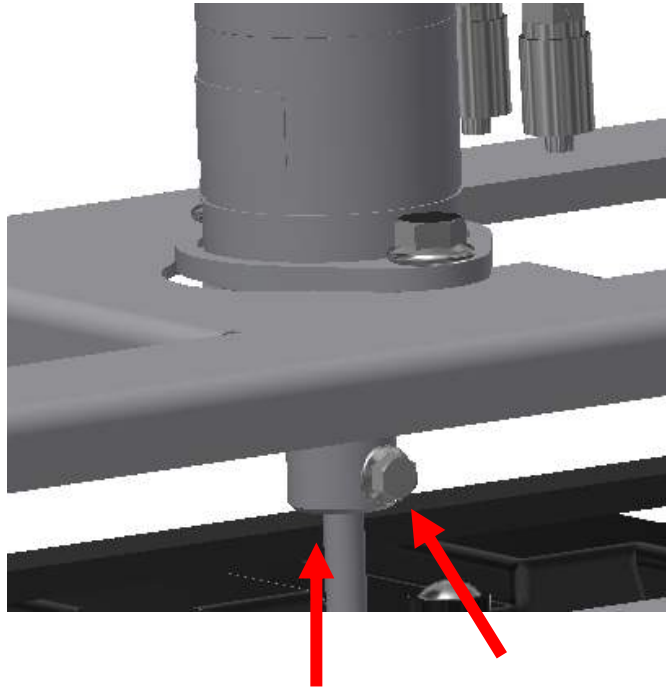


STEP TWO: Slide the spinner off of the rod.

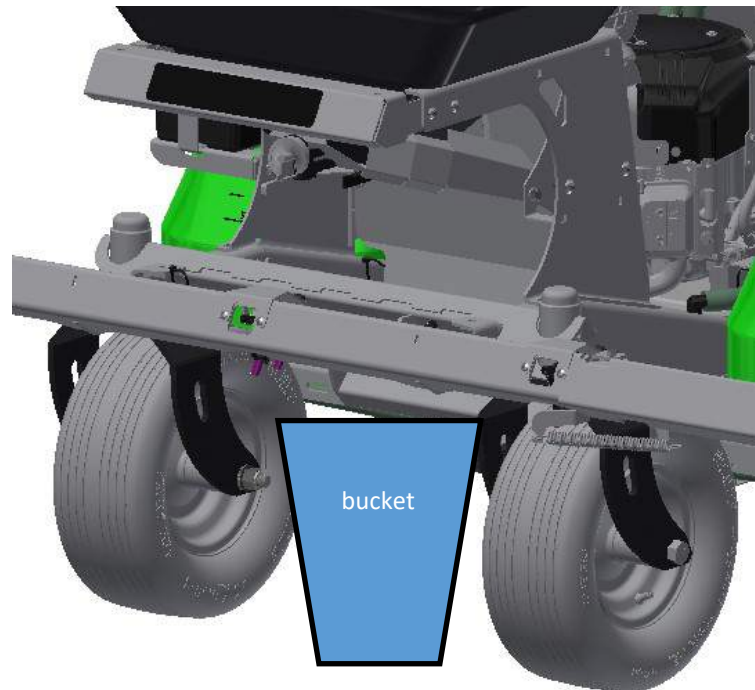


HOPPER DRAIN INSTRUCTIONS

Note: It may be necessary to loosen the bolt and move the rod up to allow enough room to remove the spinner.



STEP TWO: Place a bucket under the hopper trap, open the trap to drain the hopper.





MADE IN THE USA

Steel Green Mfg.
920 S State Road 39
Lebanon, IN 46052
(756)-481-2890
www.steelgreenmfg.com

SG Hopper Drain Instructions