

INSTRUCTION MANUAL

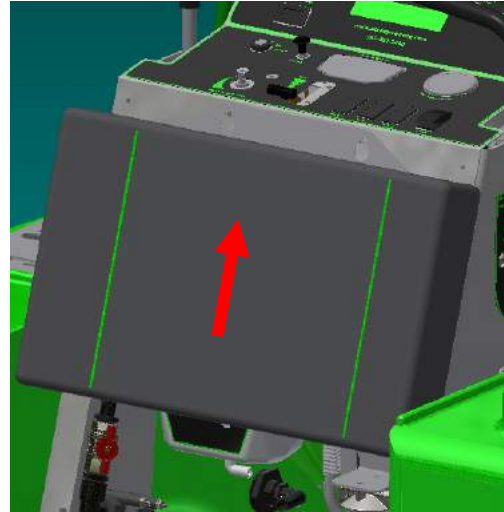
HYDRAULIC OIL CHANGE



HYDRAULIC OIL CHANGE INSTRUCTIONS

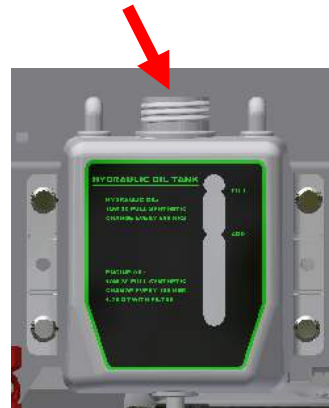
Change hydraulic oil and filter every 500 hours with Synthetic Plus Engine Oil 10W-30. API service classification SN plus, Resource conserving; ILSAC GF-5.

STEP ONE: Remove the knee pad to access the hydraulic oil reservoir.

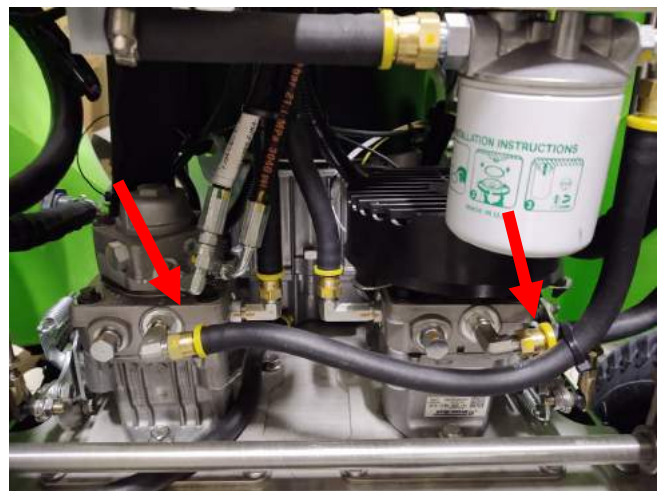
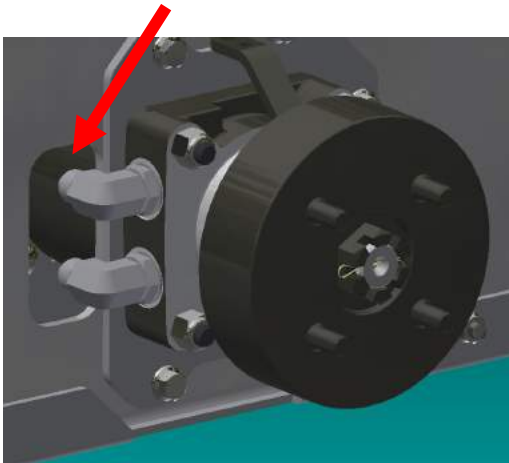


STEP TWO:

- Loosen and remove the cap from the hydraulic oil reservoir.
- Disconnect the rear hoses from the hydraulic pumps, place the hoses over a proper container draining the hydraulic oil.
- Once the oil has been drained, reconnect the hoses to the pumps.

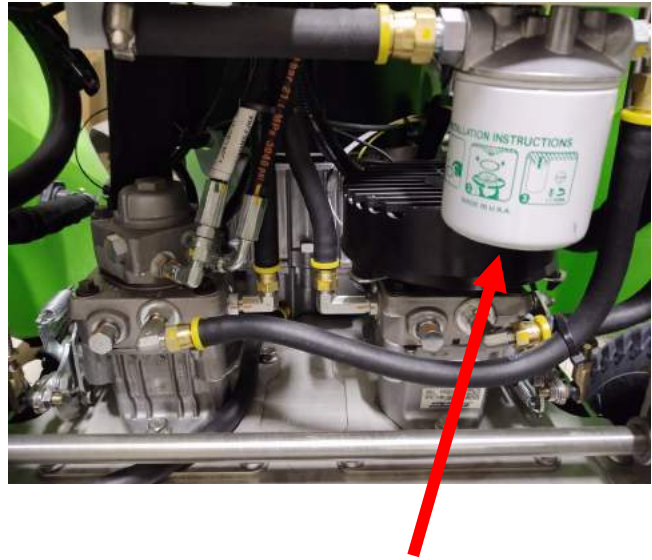


NOTE: *To drain the most oil out as possible you can also remove the rear tires and disconnect the hoses from the wheel motors to drain the oil at the lowest point.*



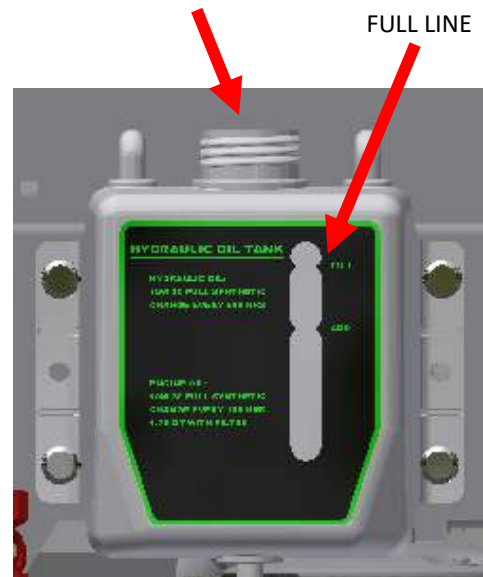
HYDRAULIC OIL CHANGE INSTRUCTIONS

STEP THREE: Remove and replace the hydraulic oil filter.



STEP FOUR:

- Refill the hydraulic oil to the full line. with 10w30 full synthetic.
- Jack up the rear of the machine so the rear tires are off of the ground.
- Start and run the machine in forward and reverse to cycle the hydraulic oil back through the system, *you will see the oil level drop in the reservoir.*
- Once the oil level has dropped, refill the reservoir to the full line and reinstall the cap.





MADE IN THE USA

Steel Green Mfg.
920 S State Road 39
Lebanon, IN 46052
(756)-481-2890
www.steelgreenmfg.com

SG Hydraulic oil change