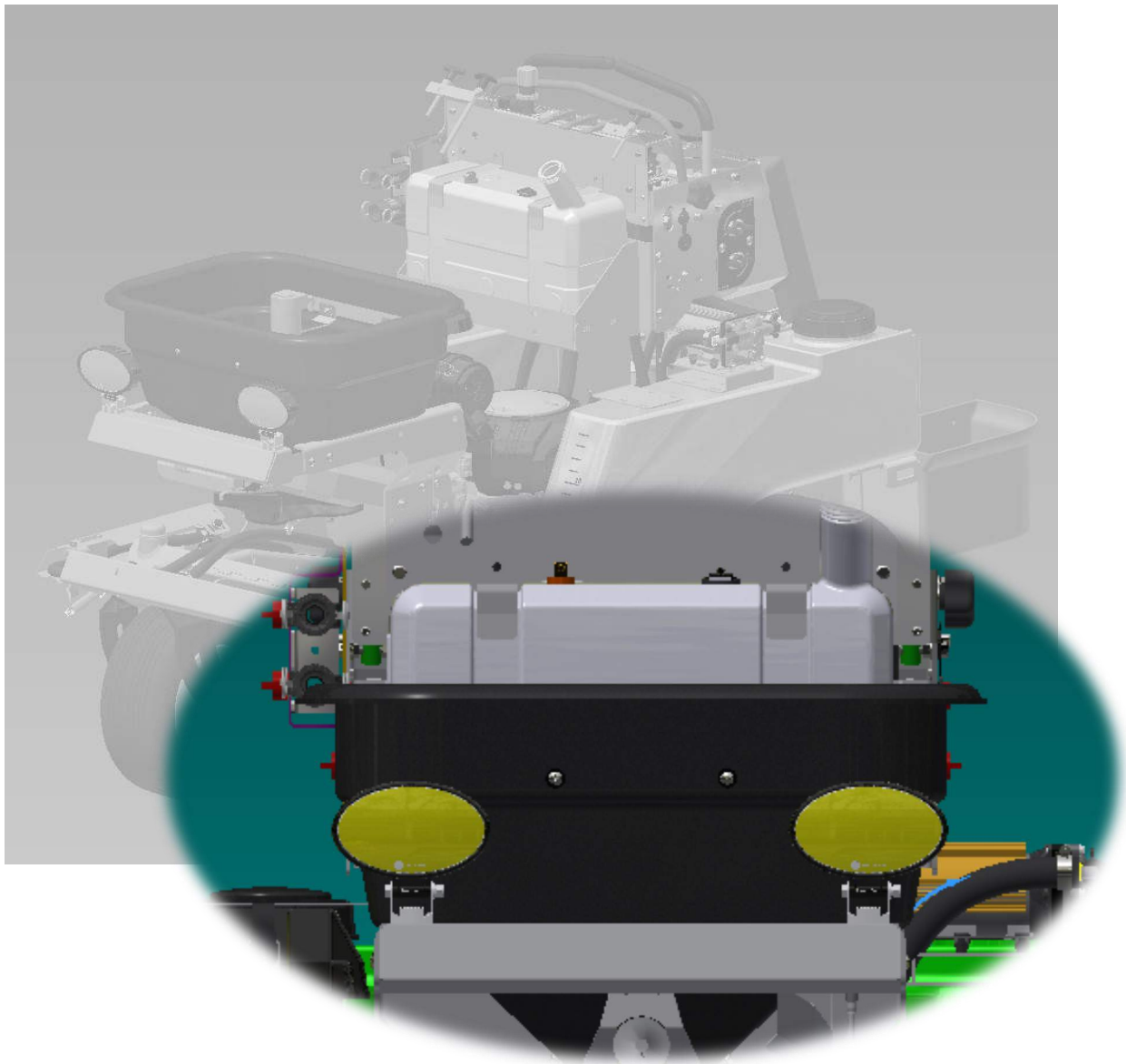


INSTRUCTION MANUAL

LIGHT KIT



LIGHT KIT INSTRUCTIONS

A10009 STANDARD (HOPPER) KIT		
PART NUMBER	QTY.	DESCRIPTION
E40202	1	SWITCH, PUMP ROCKER
E40207	2	LIGHT, OVAL LED 12V
SG-LTS	1	LED LIGHT HARNESS ALL UNITS

A10008 ALL LIQUID KIT		
PART NUMBER	QTY.	DESCRIPTION
E40202	1	SWITCH, PUMP ROCKER
E40207	2	LIGHT, OVAL LED 12V
SG-LTS	1	LED LIGHT HARNESS ALL UNITS
R22-075	1	BRACKET, LED LIGHT
R22-075L	1	BRACKET, LED LIGHT, LEFT
CB-51634S	4	CARRIAGE BOLT, 5/16 X 3/4
HFNC5-516S	4	HEX NUT, 5/16

STEP ONE: Disconnect the battery, *ground* first and then *power* wire.



GROUND

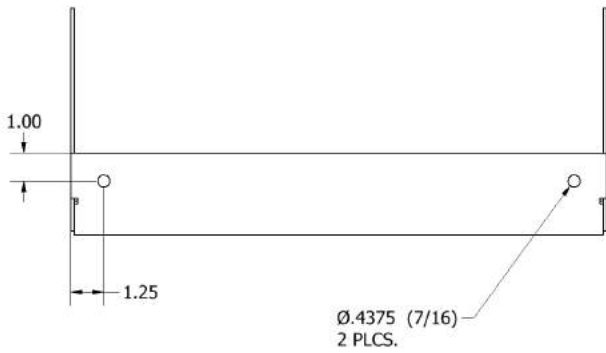
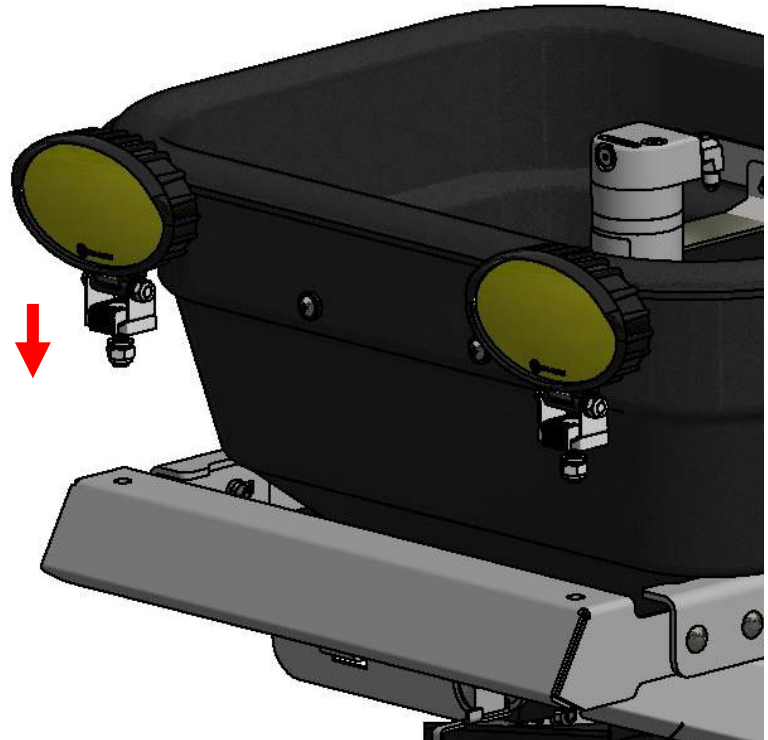
POWER

LIGHT KIT INSTRUCTIONS

STEP TWO: Attach the lights to the frame.

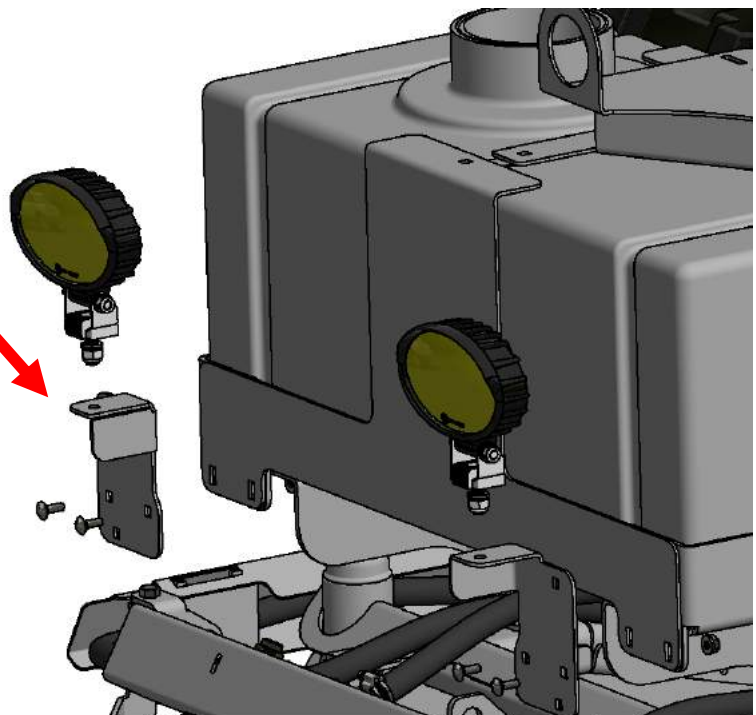
NOTE: Earlier models may require drilling for mounting holes. (See drawing below for Dimensions).

Hopper



20 Gallon Tank

NOTE: Orientation of left & right brackets.

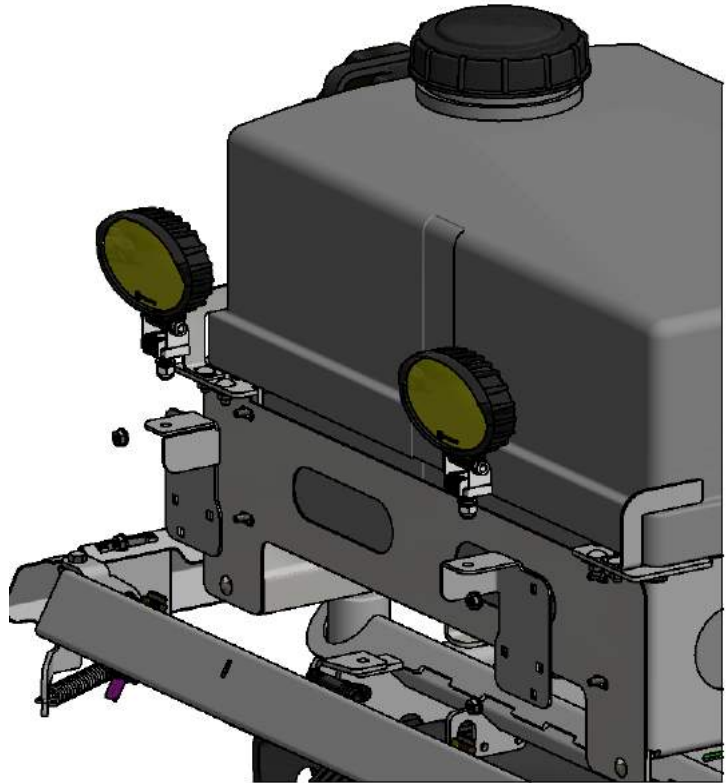


LIGHT KIT INSTRUCTIONS

NOTE:

- *Orientation of left & right brackets.*
- *The bracket bolts go through the back side of the tank support, so it may be necessary to loosen the tank to access the holes.*

35 Gallon Tank



STEP THREE: Connect the plugs on the wiring harness to each light.



LIGHT KIT INSTRUCTIONS

STEP FOUR:

- Route the wiring harness neatly along the frame & up to the dash panel.
- Remove the plug in the dash panel "AUX 1" and attach the included rocker switch.

NOTE: *Be sure the orientation of the switch matches the "pump switch" (long side faces the driver).*

- Connect the "fused end" of the harness to the rocker switch.



STEP FIVE:

- Connect the power & ground wires to the battery.
- Reconnect the battery, *power wire* first along with pump harness power wire and then *ground*.



GROUND

POWER



MADE IN THE USA

Steel Green Mfg.
920 S State Road 39
Lebanon, IN 46052
(756)-481-2890
www.steelgreenmfg.com

SG Light Kit Install