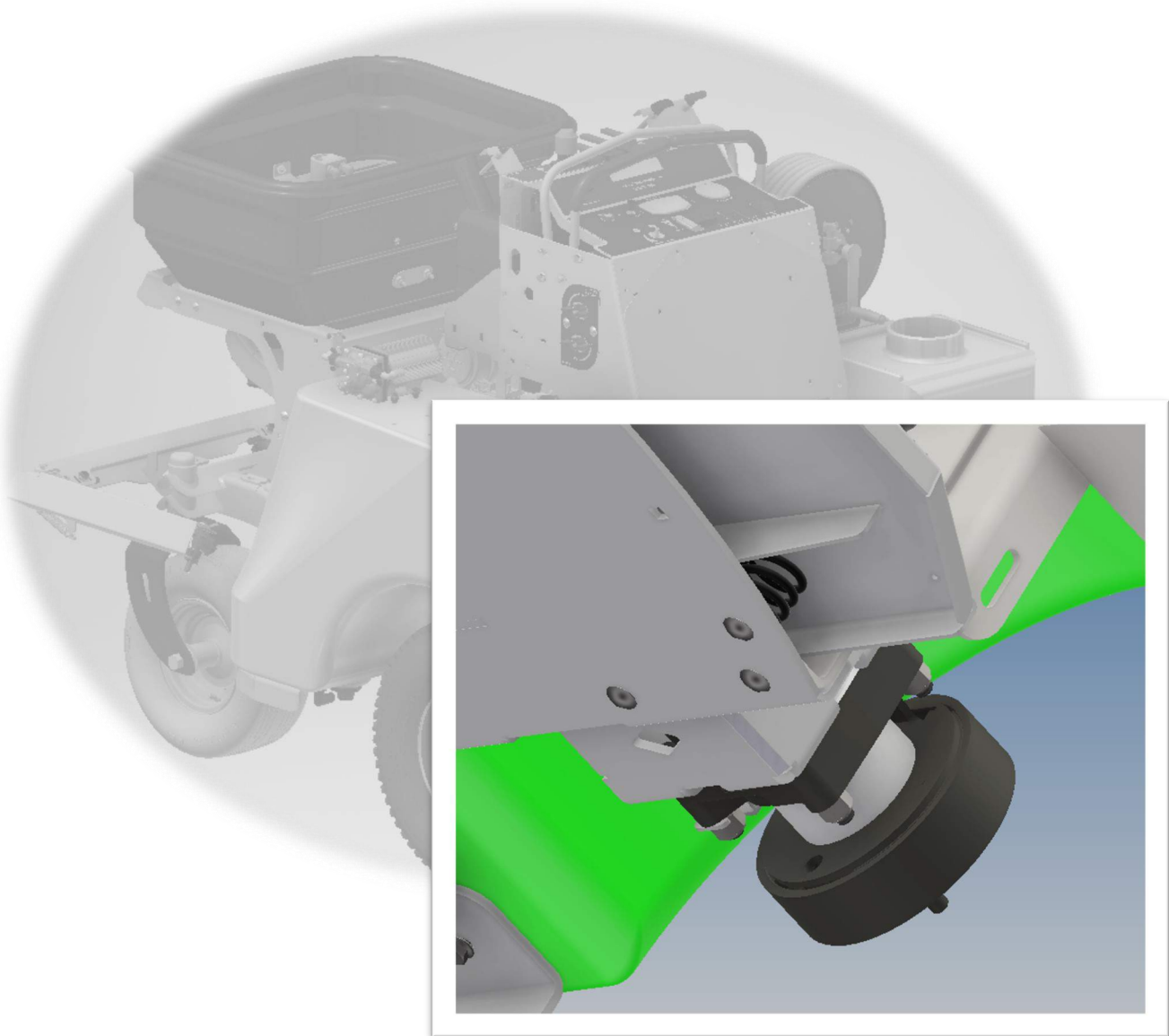


**INSTRUCTION MANUAL**

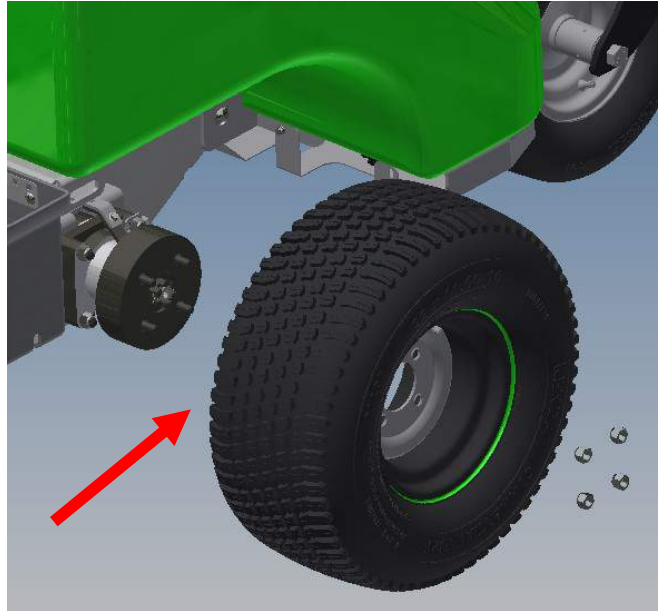
**SG PARKING BRAKE ADJUSTMENT INSTRUCTIONS**



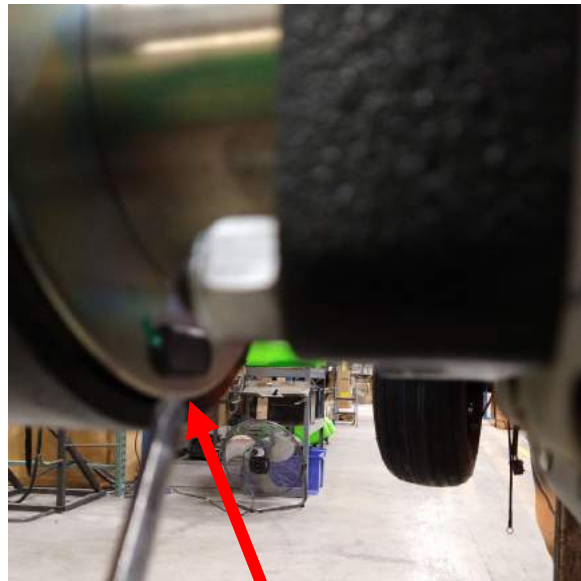
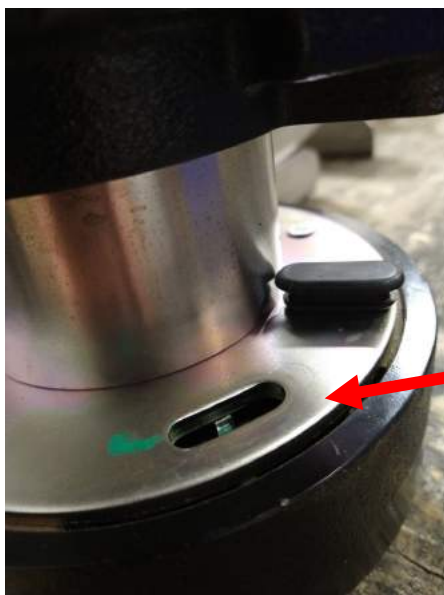
## PARKING BRAKE ADJUSTMENT INSTRUCTIONS

**NOTE:** *Instructions are the same for both sides.*

**STEP ONE:** Loosen the lug nuts and remove the rear tire.



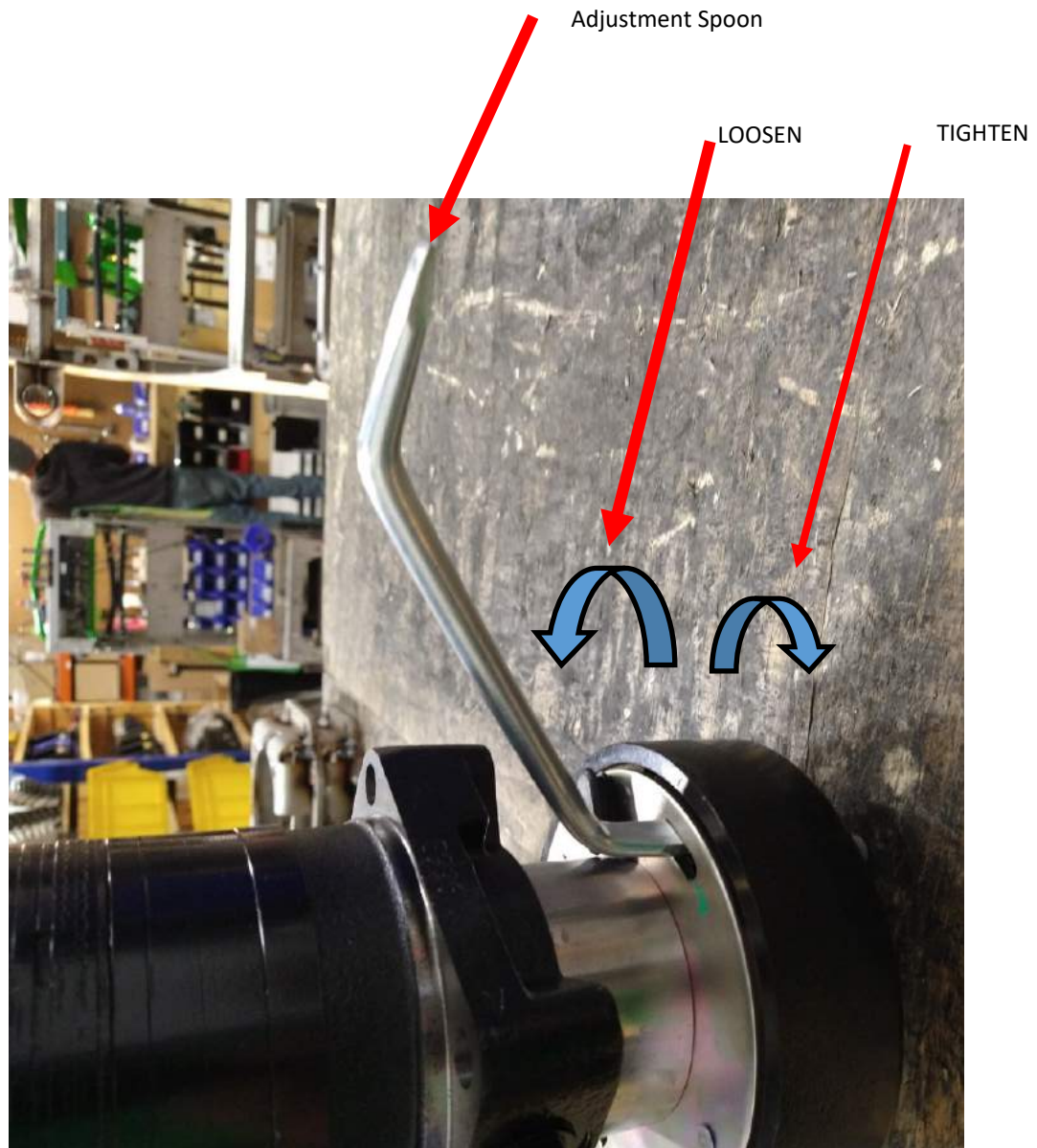
**STEP TWO:** Locate and remove the rubber tab on the inside of the hub.



## PARKING BRAKE ADJUSTMENT INSTRUCTIONS

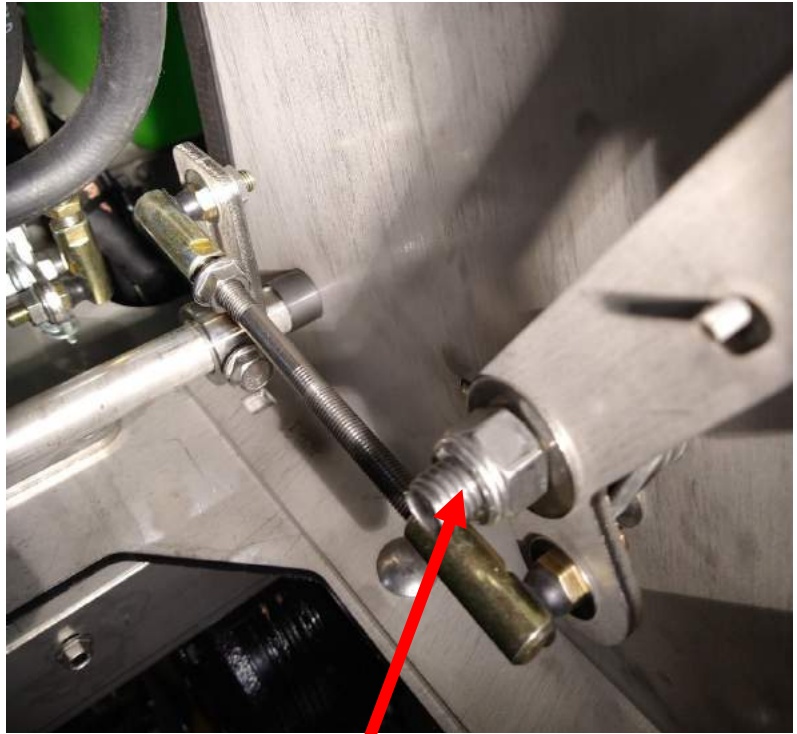
### STEP THREE:

- Insert the adjustment spoon
- Pull the spoon down to tighten
- Up to loosen



## PARKING BRAKE ADJUSTMENT INSTRUCTIONS

**STEP FOUR:** Readjust the spring tension by loosening or tightening the spring bolt.





**MADE IN THE USA**

Steel Green Mfg.  
920 S State Road 39  
Lebanon, IN 46052  
(756)-481-2890  
[www.steelgreenmfg.com](http://www.steelgreenmfg.com)