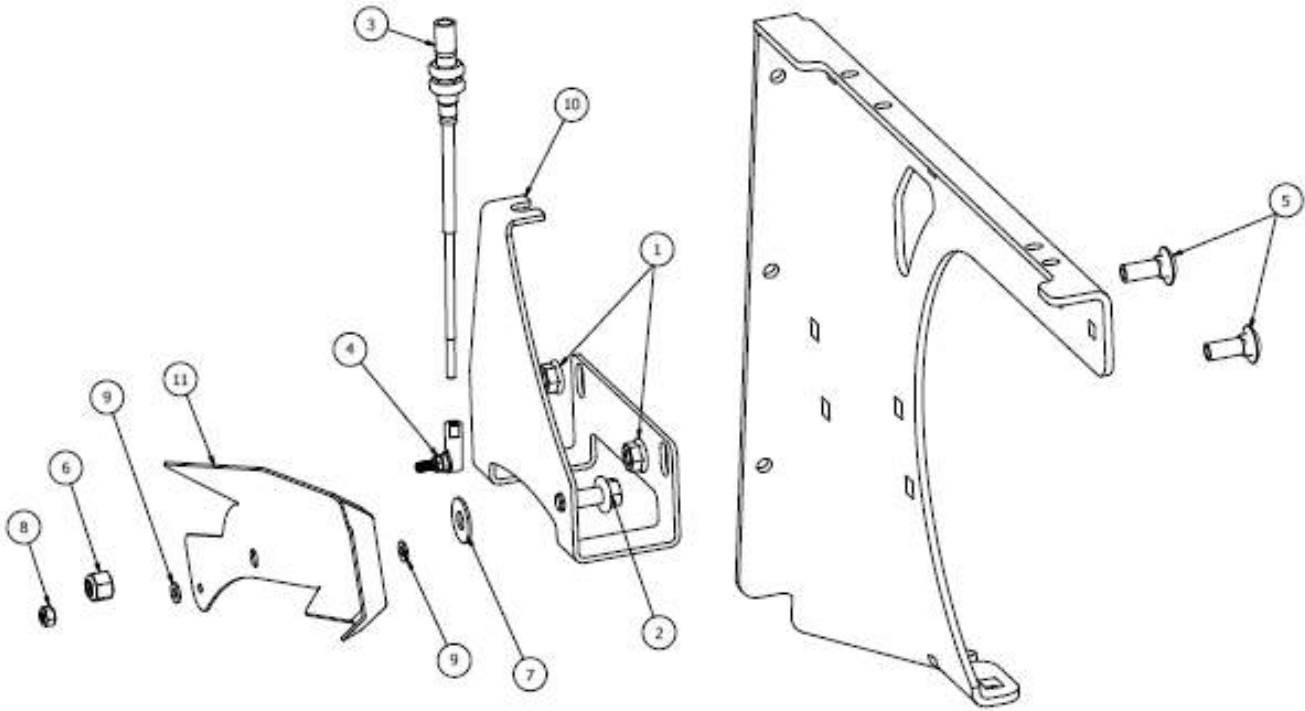


INSTALLATION MANUAL

SIDE DEFLECTOR REPLACEMENT



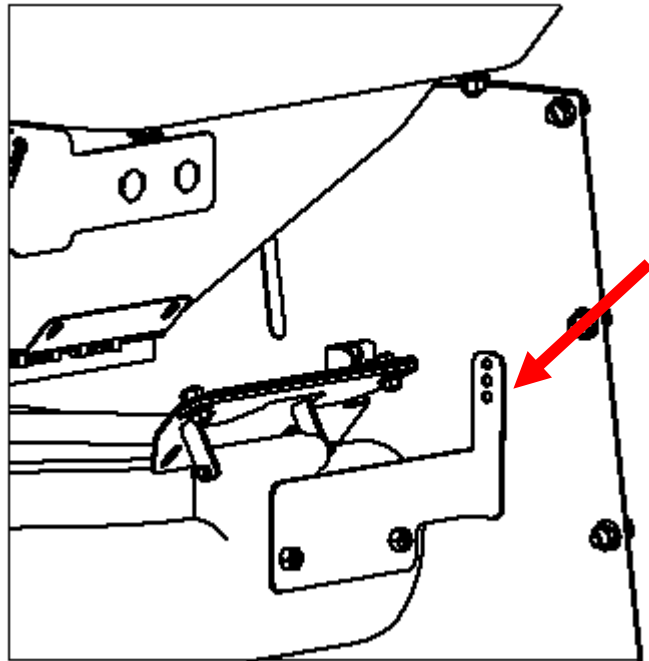
SIDE DEFLECTOR ASSEMBLY



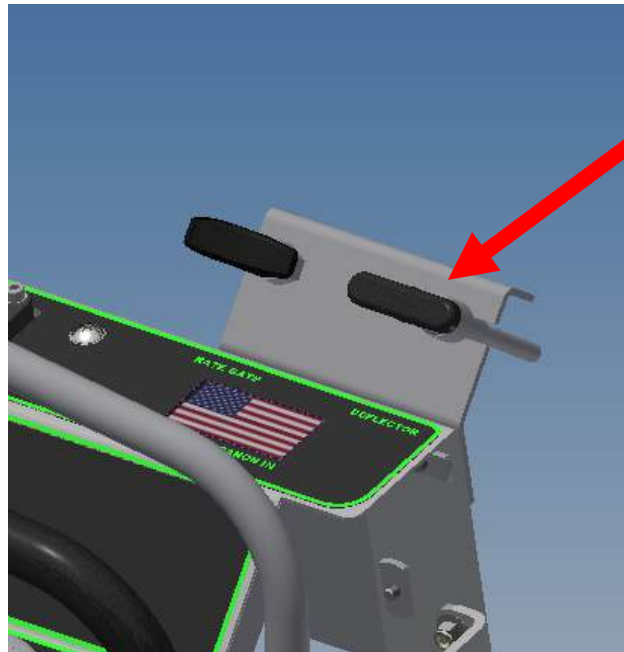
PARTS LIST			
ITEM	QTY	PART NUMBER	DESCRIPTION
1	6	HFNC3-38S	HEX FLANGE NUT - 3/8-16
2	3	HFSSC-381	HEX FLANGE BOLT, SS - 3/8-16 x 1
3	1	D71016	CABLE, SIDE DEFLECTOR/DIFFUSER
4	1	D71005	BALL JOINT
5	2	CB-381SS	CARRIAGE BOLT, SS - 3/8-16 x 1
6	1	SSNNC-38	NYLOCK, SS - 3/8-16
7	1	FWSS-38	FLAT WASHER, SS - 3/8
8	1	SSNNC-10	NYLOCK, SS - 10-32
9	2	FSW-10	FLAT WASHER, SS - 10-32
10	1	R21-110	DEFLECTOR MOUNT BRACKET
11	1	R21-109	SIDE DEFLECTOR

SIDE DEFLECTOR REPLACEMENT INSTRUCTIONS

STEP ONE: Disconnect and remove the deflector cable from the bracket.



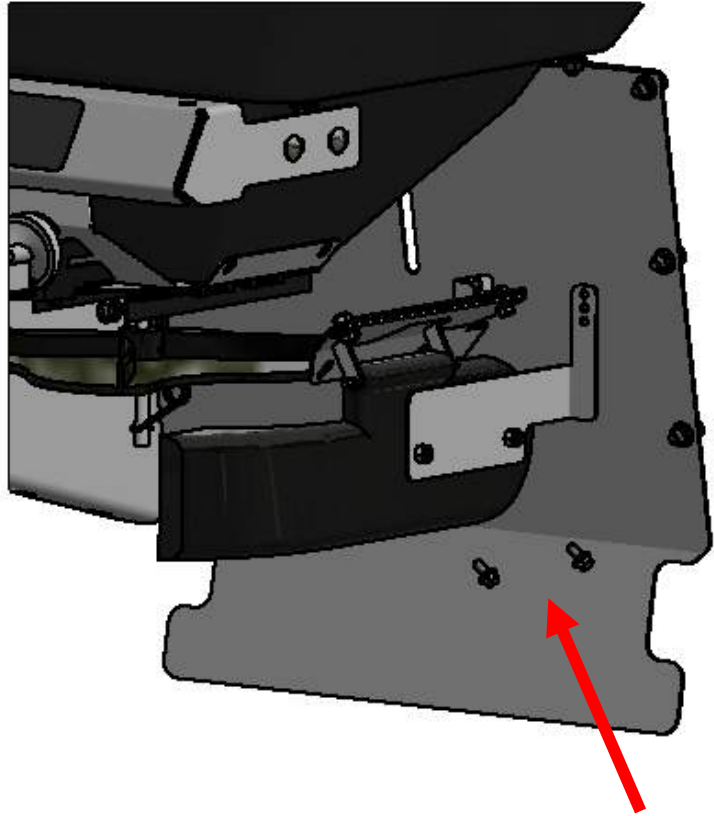
STEP TWO: Remove the deflector cable from the dash panel.



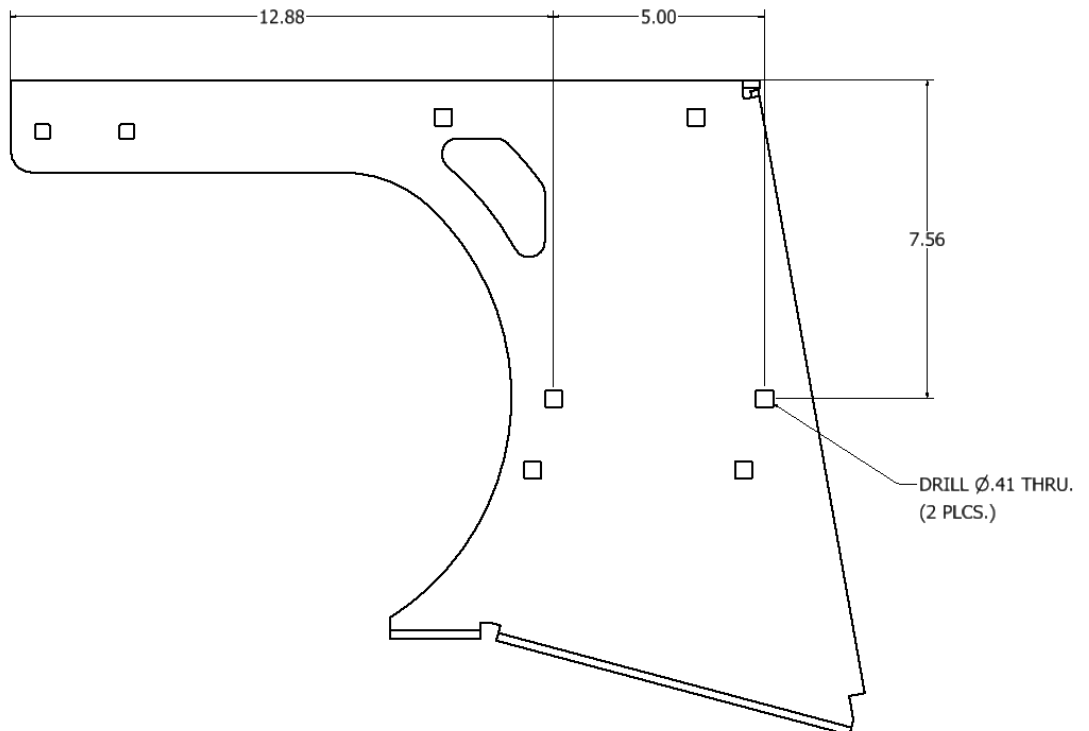
SIDE DEFLECTOR REPLACEMENT INSTRUCTIONS

STEP THREE: Remove the side deflector assembly.

NOTE: Side panel hidden for clarity.



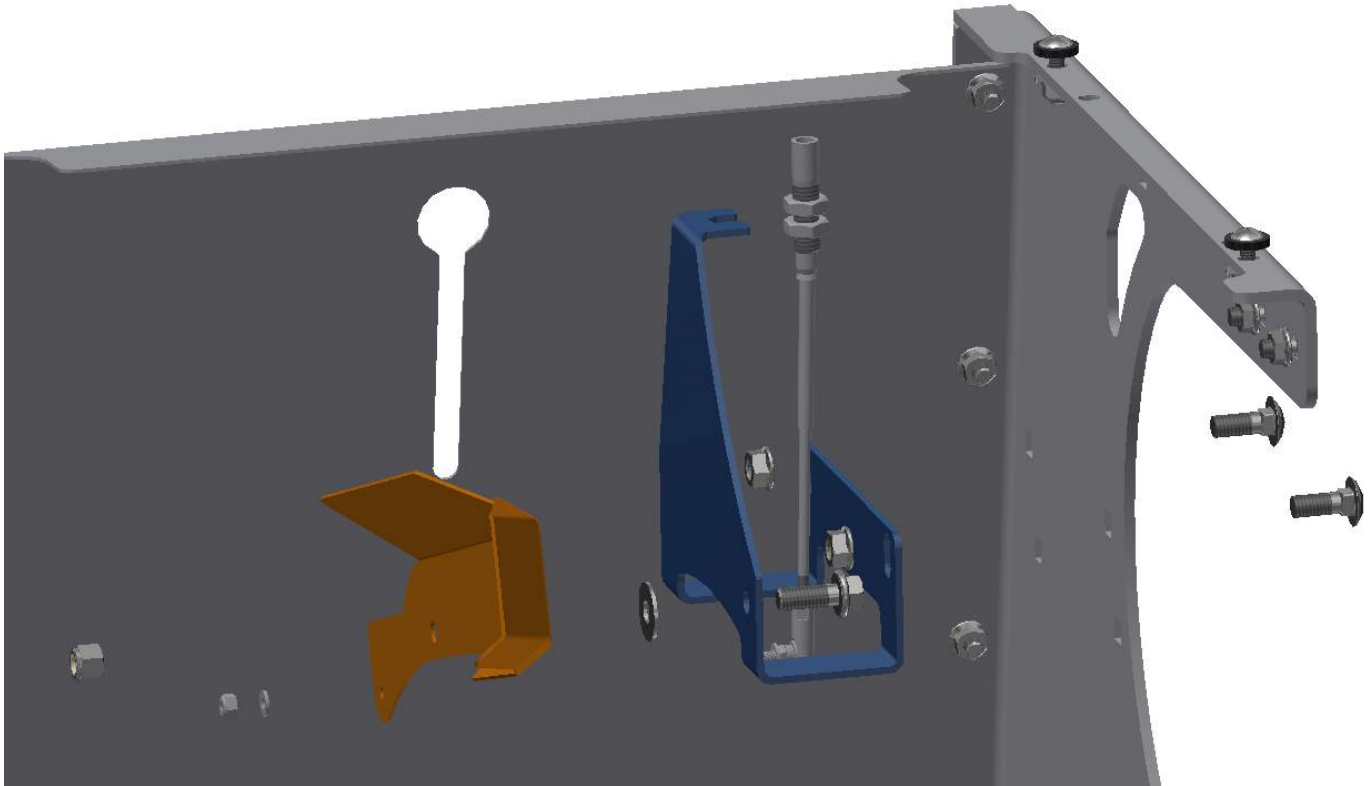
STEP FOUR: Drill two mounting holes in the left side panel as shown.



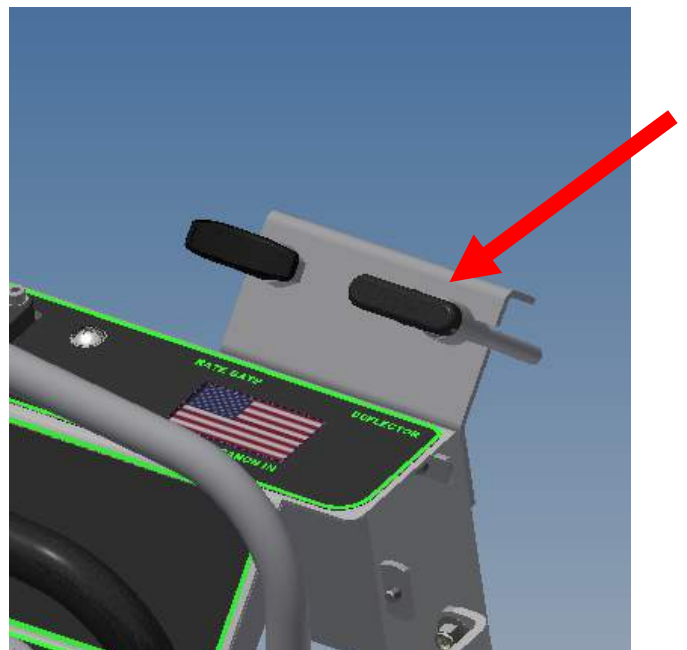
SIDE DEFLECTOR REPLACEMENT INSTRUCTIONS

STEP FIVE: Assemble the new side deflector and cable.

NOTE: Parts are hidden and shown in color for clarity.



STEP SIX: Attach the new cable to the dash panel.





MADE IN THE USA

Steel Green Mfg.
920 S State Road 39
Lebanon, IN 46052
(756)-481-2890
www.steelgreenmfg.com

SG Side Deflector Replacement