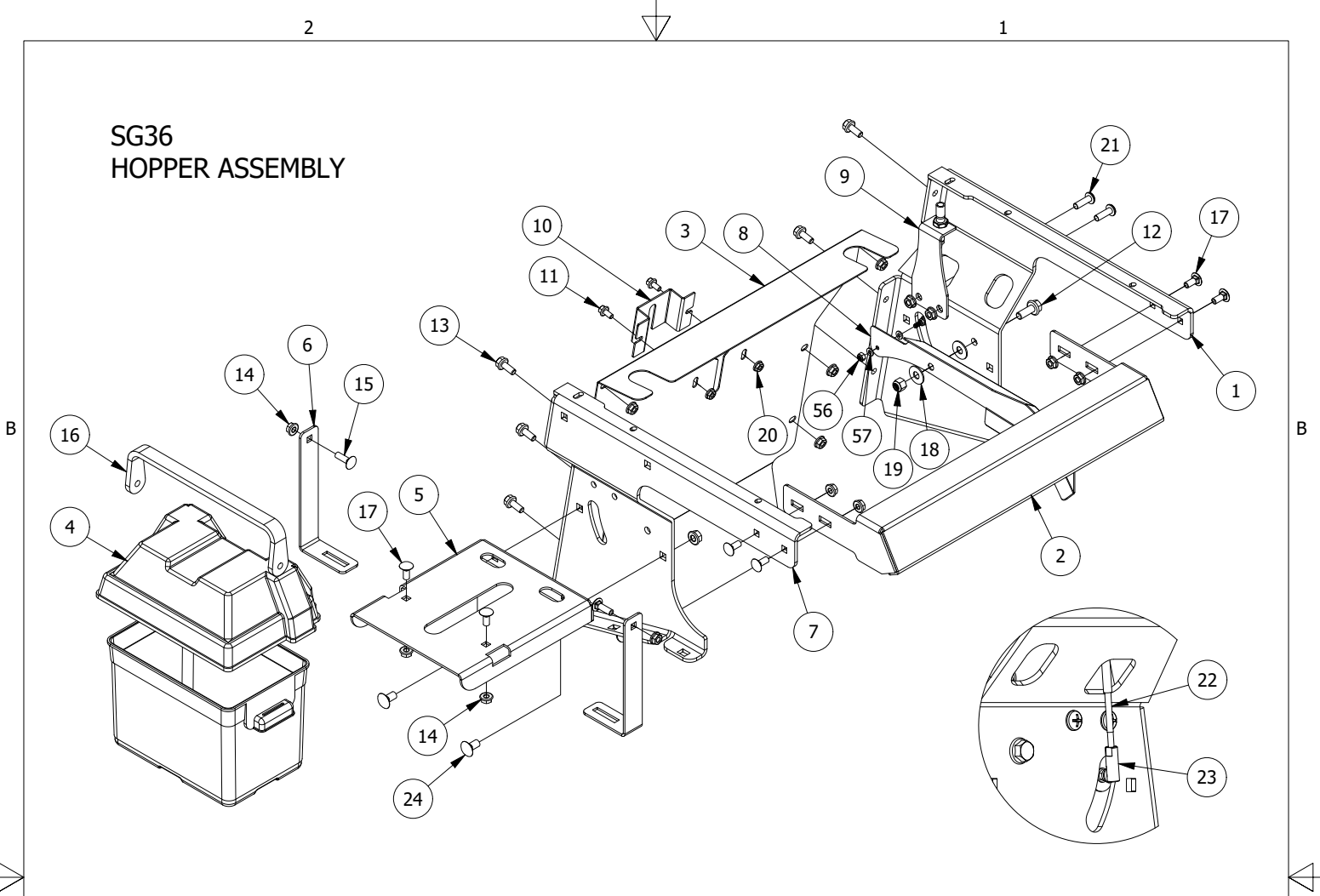


SG36 HOPPER ASSEMBLY



PARTS LIST

ITEM	QTY	PART NUMBER	DESCRIPTION
1	1	R21-095	FRAME, LEFT HOPPER
2	1	R21-044	BUMPER
3	1	R21-096	BACK SHIELD
4	1	E40002	BATTERY BOX
5	1	R21-097	TRAY, BATTERY
6	2	R21-042	BRACKET, BATTERY STRAP
7	1	R21-095-R	FRAME, RIGHT HOPPER
8	1	R21-109	SIDE DEFLECTOR
9	1	R21-111	BRACKET, SIDE DEFLECTOR CABLE
10	1	R21-107	BRACKET, 120 HOPPER CABLE
11	2	HFSSC-145	HEX FLANGE BOLT, SS - 1/4-20 x 1/2
12	1	HFSSC-381	HEX FLANGE BOLT, SS - 3/8-16 x 1
13	6	HFSSC-51634	HEX FLANGE BOLT, SS - 5/16-18 x 3/4
14	16	HFNCS-516S	HEX FLANGE NUT, SS - 5/16-18
15	2	CB-5161SS	CARRIAGE BOLT, SS - 5/16-18 x 1
16	1	TSR-10	STRAP, BATTERY
17	6	CB-51634	CARRIAGE BOLT, SS - 5/16-18 x 3/4
18	2	FWSS-38	FLAT WASHER, SS - 3/8
19	1	SSNNC-38	NYLOCK, SS - 3/8-16
20	2	HFNCS-14S	HEX FLANGE NUT, SS - 1/4-20
21	2	TRPC-5161S	PHILLIPS PAN HEAD MACHINE SCREW, SS - 5/16-18 x 1
22	1	D71016	CABLE, SIDE DEFLECTOR/DIFFUSER
23	1	D71005	BALL JOINT
24	2	CB-3834SS	CARRIAGE BOLT, SS - 3/8-16 x 3/4
56	1	SSNNC-10	NYLOCK, SS - 10-32
57	2	FSW-10	FLAT WASHER, SS - 10