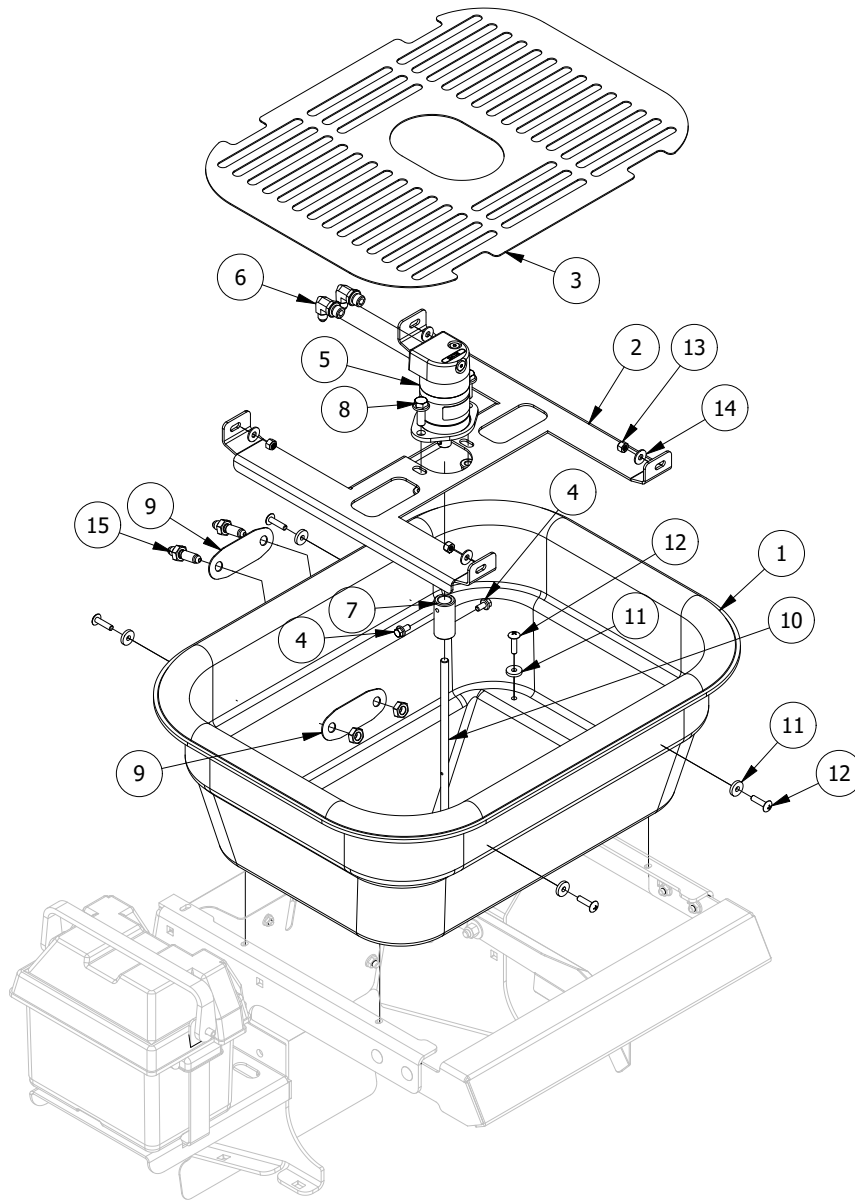


SG36
HOPPER ASSEMBLY



PARTS LIST

ITEM	QTY	PART NUMBER	DESCRIPTION
1	1	D70013	TUB, 120 HOPPER
2	1	R21-075	MOUNT, HOPPER MOTOR (125)
3	1	R21-076	SCREEN, 125 HOPPER
4	2	HFSSC-145	HEX FLANGE BOLT, SS - 1/4-20 x 1/2
5	1	H81441	MOTOR, HOPPER
6	2	H84000-L	FITTING, HOPPER MOTOR
7	1	R31011	COUPLER, HOPPER MOTOR
8	2	HFSSC-381	HEX FLANGE BOLT, SS - 3/8-16 x 1
9	2	R21-046	PLATE, HOPPER HOSE FITTING
10	1	R31017	SHAFT, 120 HOPPER
11	8	NFW-14B	WASHER, PLASTIC
12	8	TRPC-141S	PHILLIPS PAN HEAD MACHINE SCREW, SS - 1/4-20 x 1
13	8	SSNNC-14	NYLOCK, SS - 1/4-20
14	8	FWSS-14	FLAT WASHER, SS - 1/4
15	2	H84020	FITTING, HOPPER BULK HEAD