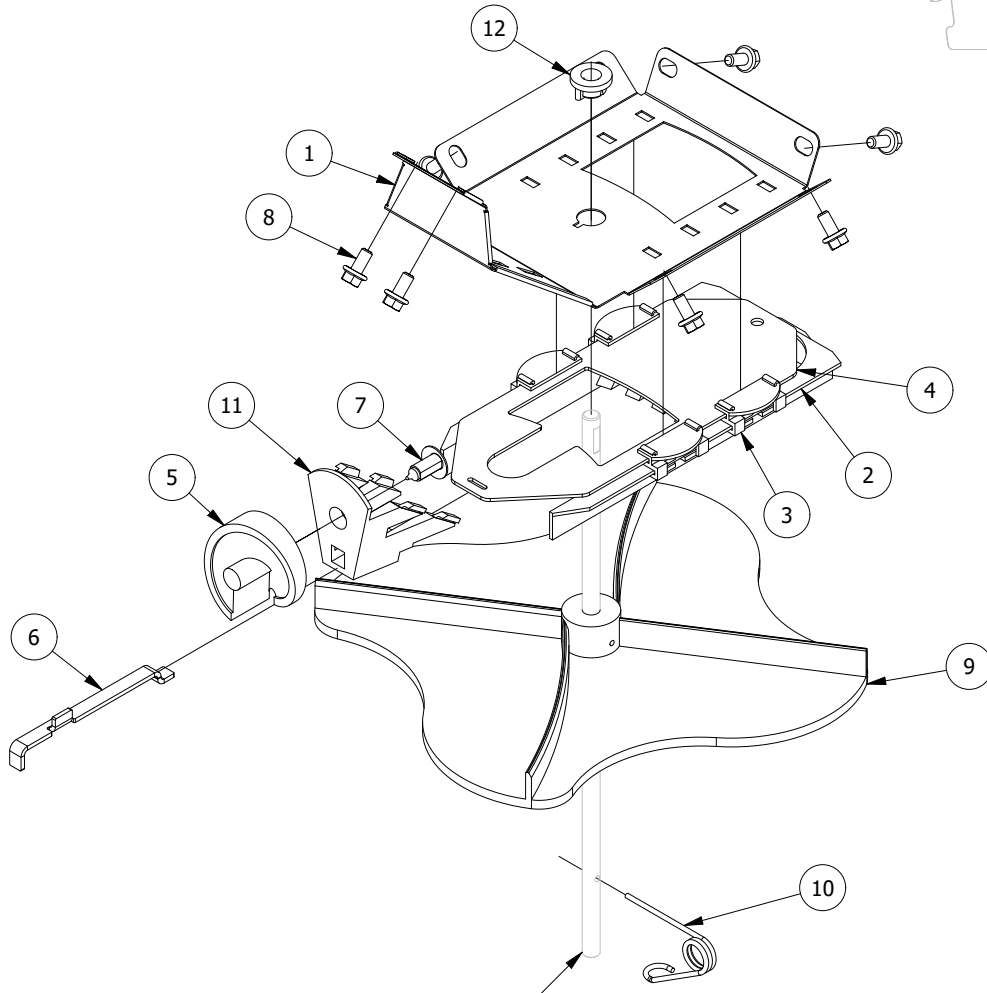


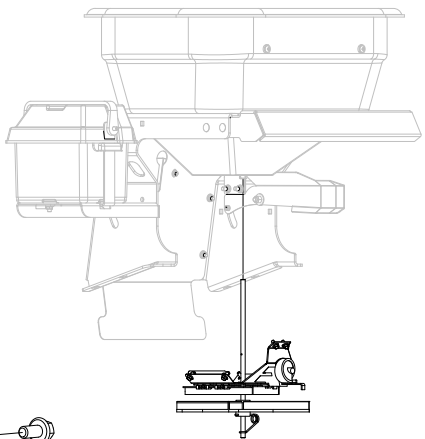
2

1

SG36
HOPPER ASSEMBLY



PN R31017
REFERENCED FROM
PREVIOUS DRAWING



PARTS LIST

ITEM	QTY	PART NUMBER	DESCRIPTION
1	1	D70009	BOTTOM, 125 HOPPER
2	1	D70004	DIFFUSER
3	4	D70005	GUIDE, RATE GATE/DIFFUSER
4	1	D70025	DOOR, HOPPER
5	1	D70001	DIAL, RATE
6	1	D70003	LINKAGE, RATE DIAL
7	1	D70016	CLIP, PINE TREE
8	8	HFSSC-145	HEX FLANGE BOLT, SS - 1/4-20 x 1/2
9	1	D70000	SPINNER
10	1	D70019	CLIP, SPINNER SPRING LOADED
11	1	D70002	HOLDER, DIAL
12	1	D70008	BUSHING, HOPPER BOTTOM

2

1