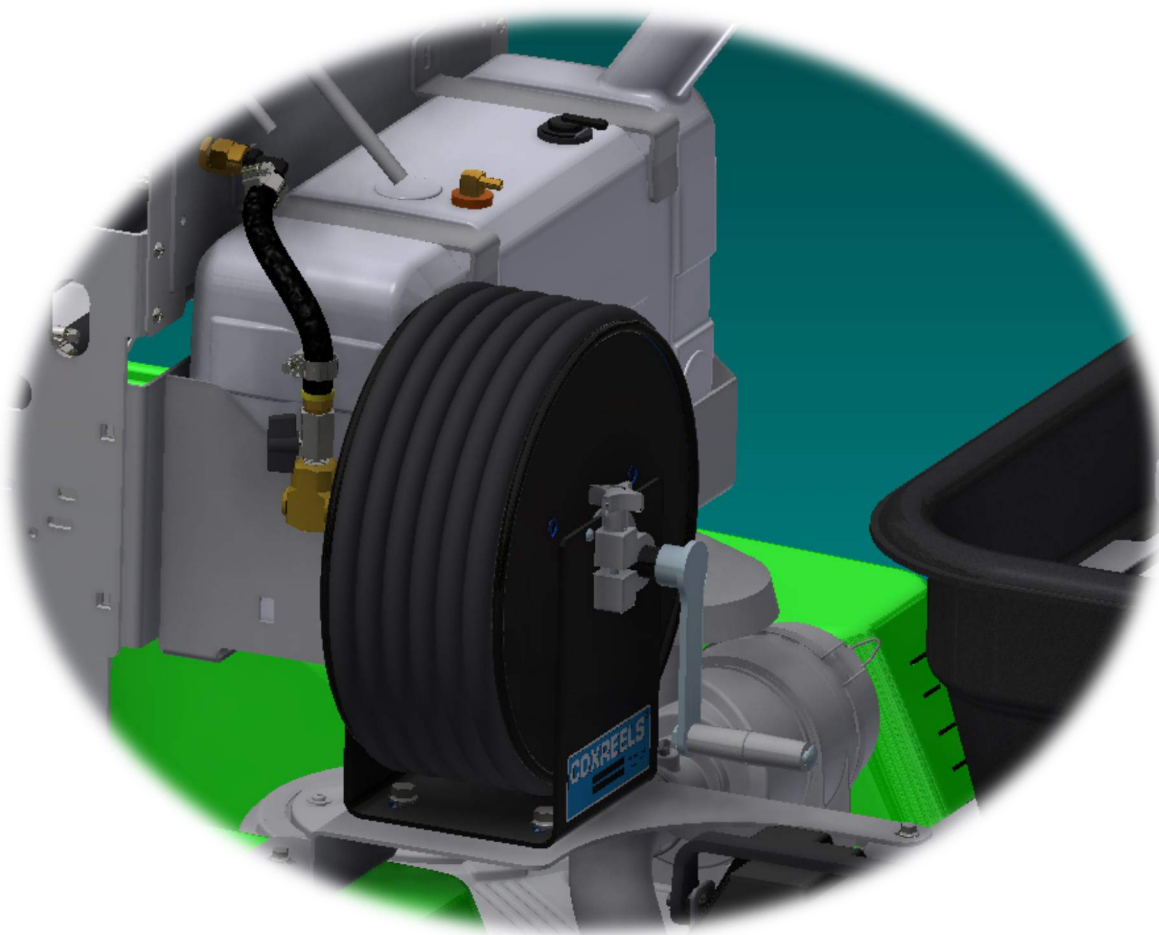
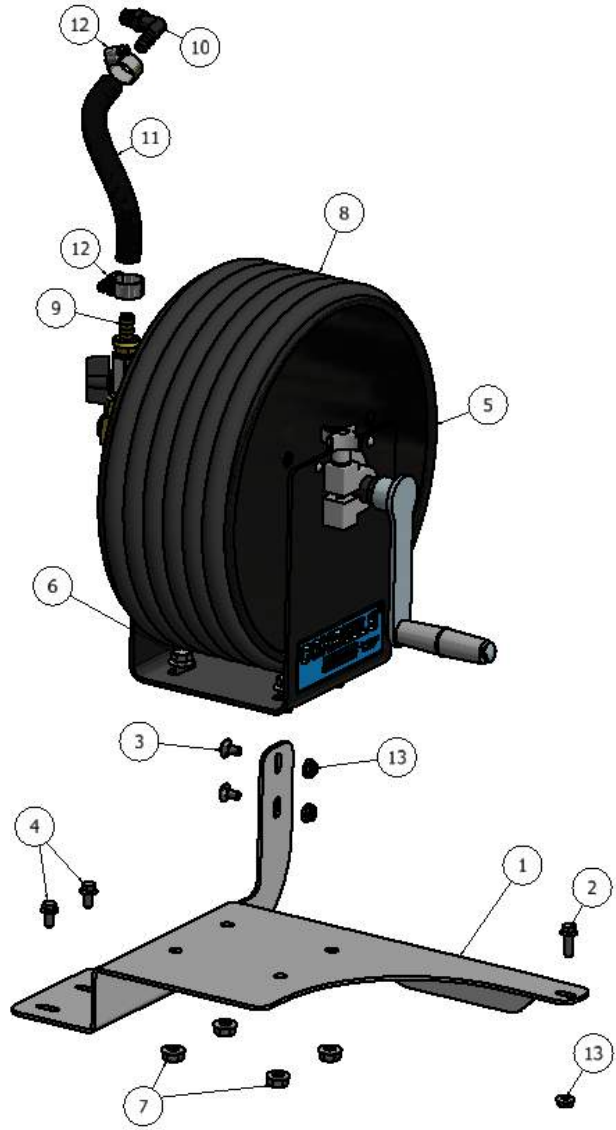


INSTALLATION MANUAL

SG36 HOSE REEL OPTION



SG36 HOSE REEL OPTION EXPLODED VIEW



PARTS LIST			
ITEM	QTY	PART NUMBER	DESCRIPTION
1	1	R22-072	HOSE REEL BRACKET, SG36
2	1	HFSSC-1475	HEX FLANGE BOLT 1/4 X 3/4
3	2	CB-145SS	CARRAGE BOLT, 1/4 X 1/2
4	2	HFSSC-145	HEX FLANGE BOLT, 1/4-20 x 1/2
5	1	S53001	COX HOSE REEL
6	4	HFSSC-3875	HEX FLANGE BOLT, 3/8 X 3/4
7	4	HFNCS-38S	HEX FLANGE NUT - 3/8-16
8	1	S55006	HOSE, 3/8-75FT. ROLL W/FITTING
9	1	H84023	3/8 PUSH LOCK HOSE BARB X 3/8 MALE PIPE BRASS
10	1	S52021	ELBOW, 1/4 X 3/8 BARB
11	1	S55005	3/8 HOSE 20"
12	2	MS4	3/8 HOSE CLAMP
13	3	HFNCS-14S	HEX FLANGE NUT 1/4

SG36 HOSE REEL ASSEMBLY INSTRUCTIONS

STEP ONE: Disconnect the battery, *ground* first and then *power* wire.



GROUND

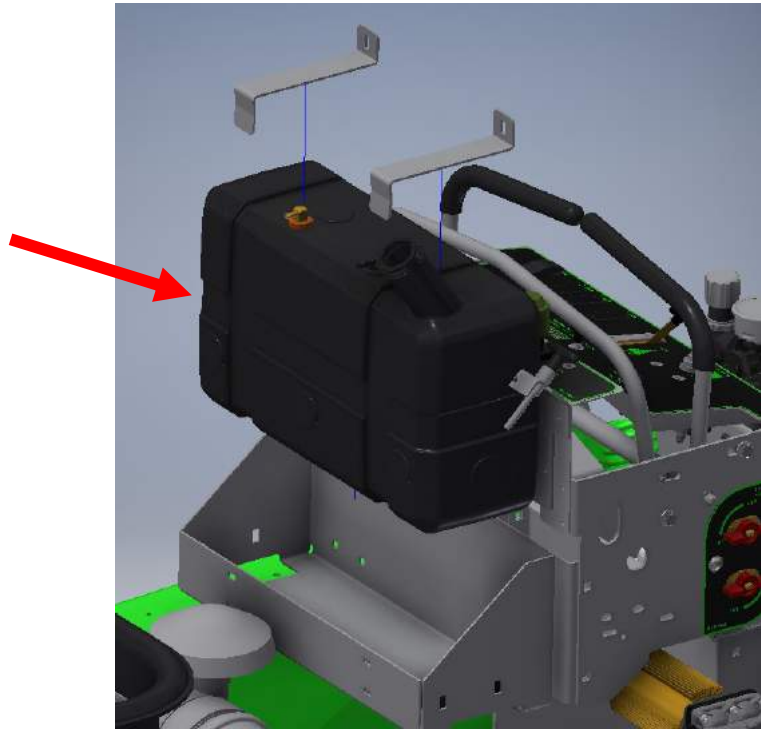
POWER

STEP TWO: Disconnect the coil hose and ball valve.



SG36 HOSE REEL ASSEMBLY INSTRUCTIONS

STEP THREE: Disconnect and remove the fuel tank.

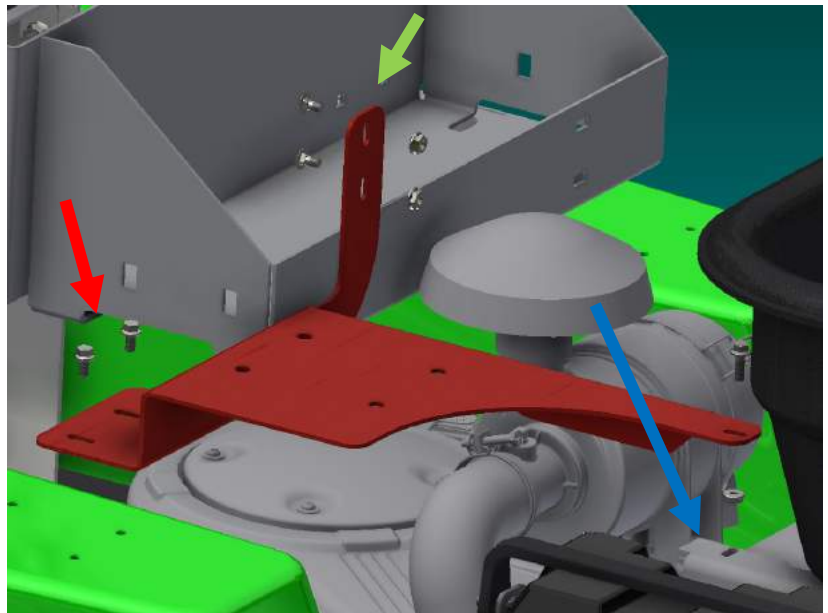


STEP FOUR: Attach the hose reel mounting bracket.

Attachment points:

- Red, front tank (HFSSC-145)
- Green, fuel tank bracket (CB-154SS) and (HFNCS-14S).
- Blue, corner of the hopper support (HFSSC-1475) and (HFNCS-14S).

NOTE: *bracket shown in color for clarity.*



SG36 HOSE REEL ASSEMBLY INSTRUCTIONS

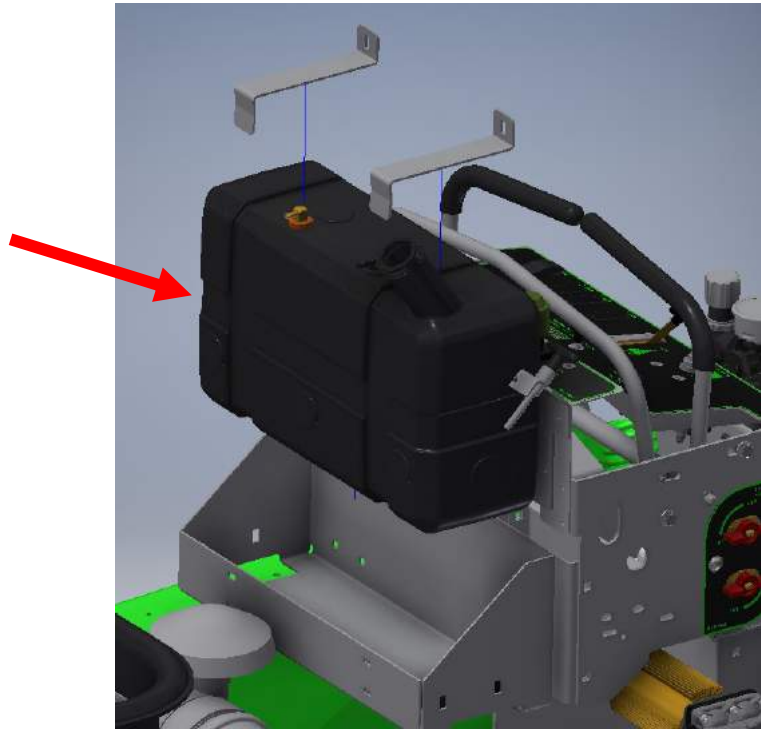
STEP FIVE: Reinstall the fuel tank.

CAUTION!

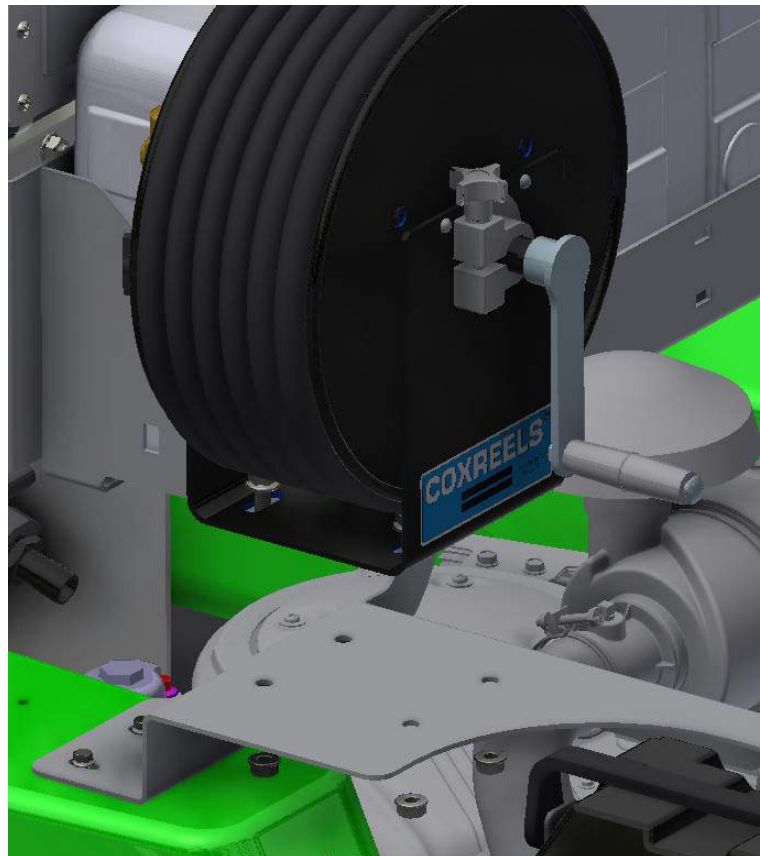
- Beware of excess fuel in the lines.
- Fuel spillage.

WARNING!

- Flammable gas.

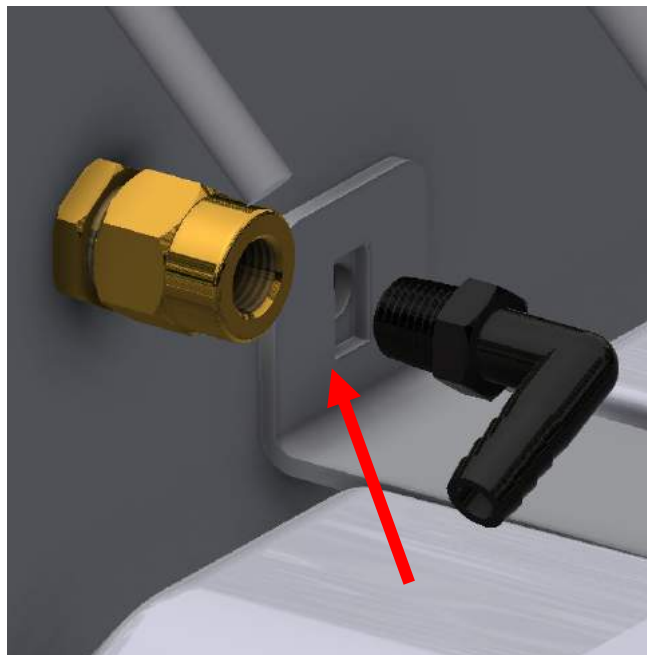


STEP SIX: Attach the hose reel to the mounting bracket (HFSSC-3875) and (HFNC3-38S).



SG36 HOSE REEL ASSEMBLY INSTRUCTIONS

STEP SEVEN: Install the barb fitting (S52021) to the bulkhead fitting above the fuel tank.



STEP EIGHT: Attach the 3/8" hose (S55005) to the hose barb fittings and securely fasten with (2) 3/8" hose clamps (MS4).



SG36 HOSE REEL ASSEMBLY INSTRUCTIONS

STEP NINE: Reconnect the battery, *power* wire first along with the *pump power* wire from the wiring harness, and then reconnect the *ground* wire.



GROUND

POWER



MADE IN THE USA

Steel Green Mfg.
920 S State Road 39
Lebanon, IN 46052
(756)-481-2890
www.steelgreenmfg.com

SG36 KIT P10039