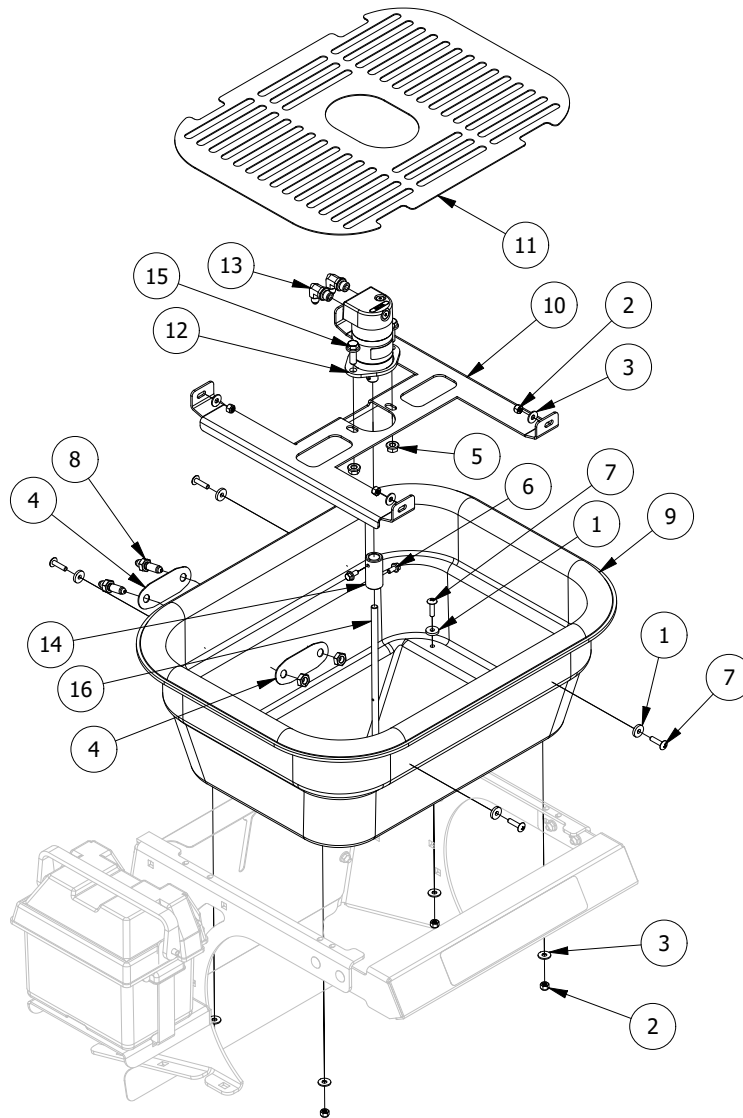


SG42  
HOPPER ASSEMBLY



PARTS LIST

ITEM	QTY	PART NUMBER	DESCRIPTION
1	8	NFW-14B	WASHER, PLASTIC
2	8	SSNNC-14	NYLOCK, SS - 1/4-20
3	8	FWSS-14	FLAT WASHER, SS - 1/4
4	2	R21-046	PLATE, HOPPER HOSE FITTING
5	2	HFNC3-38S	HEX FLANGE NUT - 3/8-16
6	2	HFSSC-145	HEX FLANGE BOLT, SS - 1/4-20 x 1/2
7	8	TRPC-141S	PHILLIPS PAN HEAD MACHINE SCREW, SS - 1/4-20 x 1
8	2	H84020	FITTING, HOPPER BULK HEAD
9	1	D70013	TUB, 120 HOPPER
10	1	R21-075	MOUNT, HOPPER MOTOR (125)
11	1	R21-076	SCREEN, 125 HOPPER
12	1	H81441	MOTOR, HOPPER
13	2	H84000-L	FITTING, HOPPER MOTOR
14	1	R31011	COUPLER, HOPPER MOTOR
15	2	HFSSC-381	HEX FLANGE BOLT, SS - 3/8-16 x 1
16	1	R31017	SHAFT, 120 HOPPER