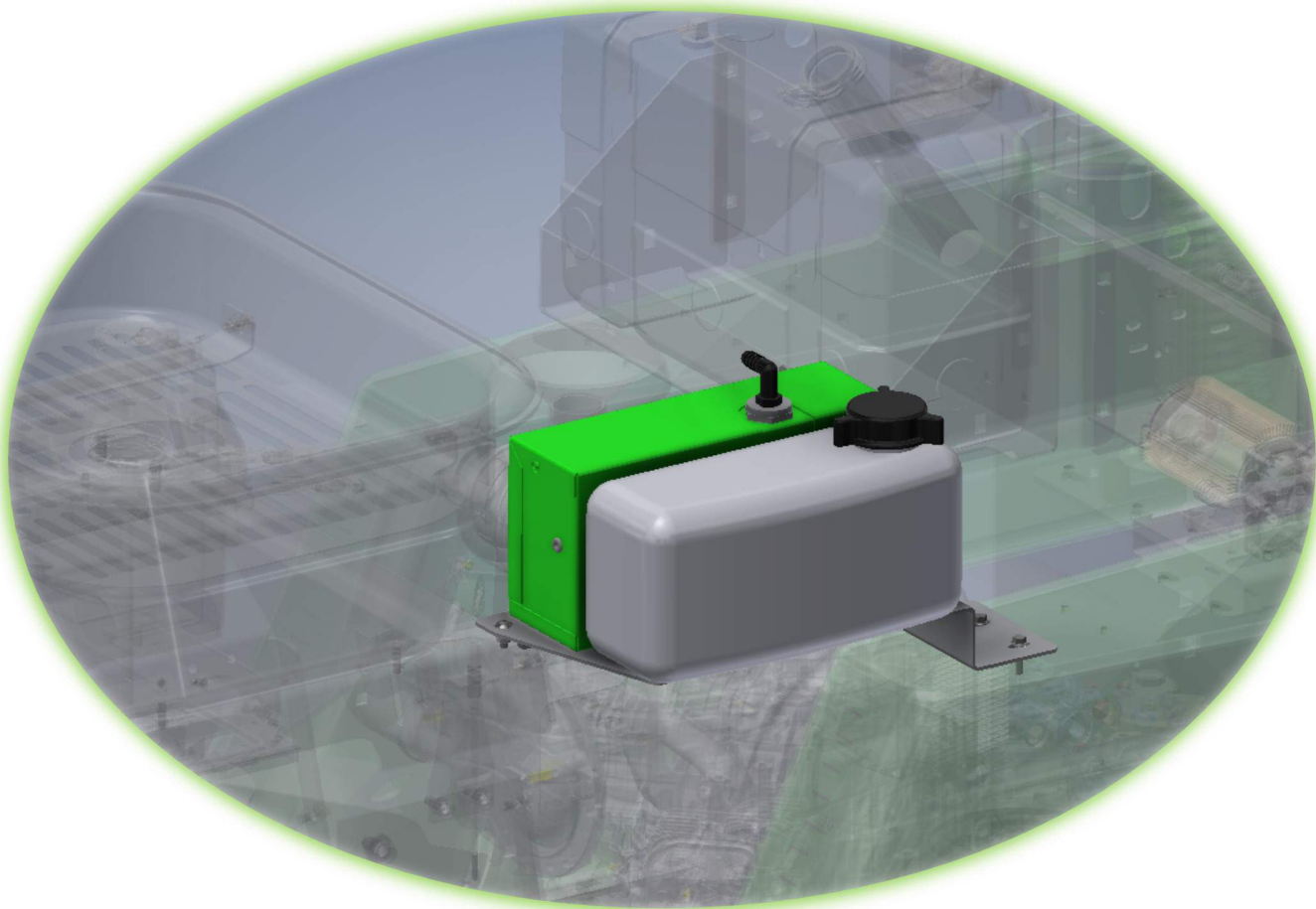
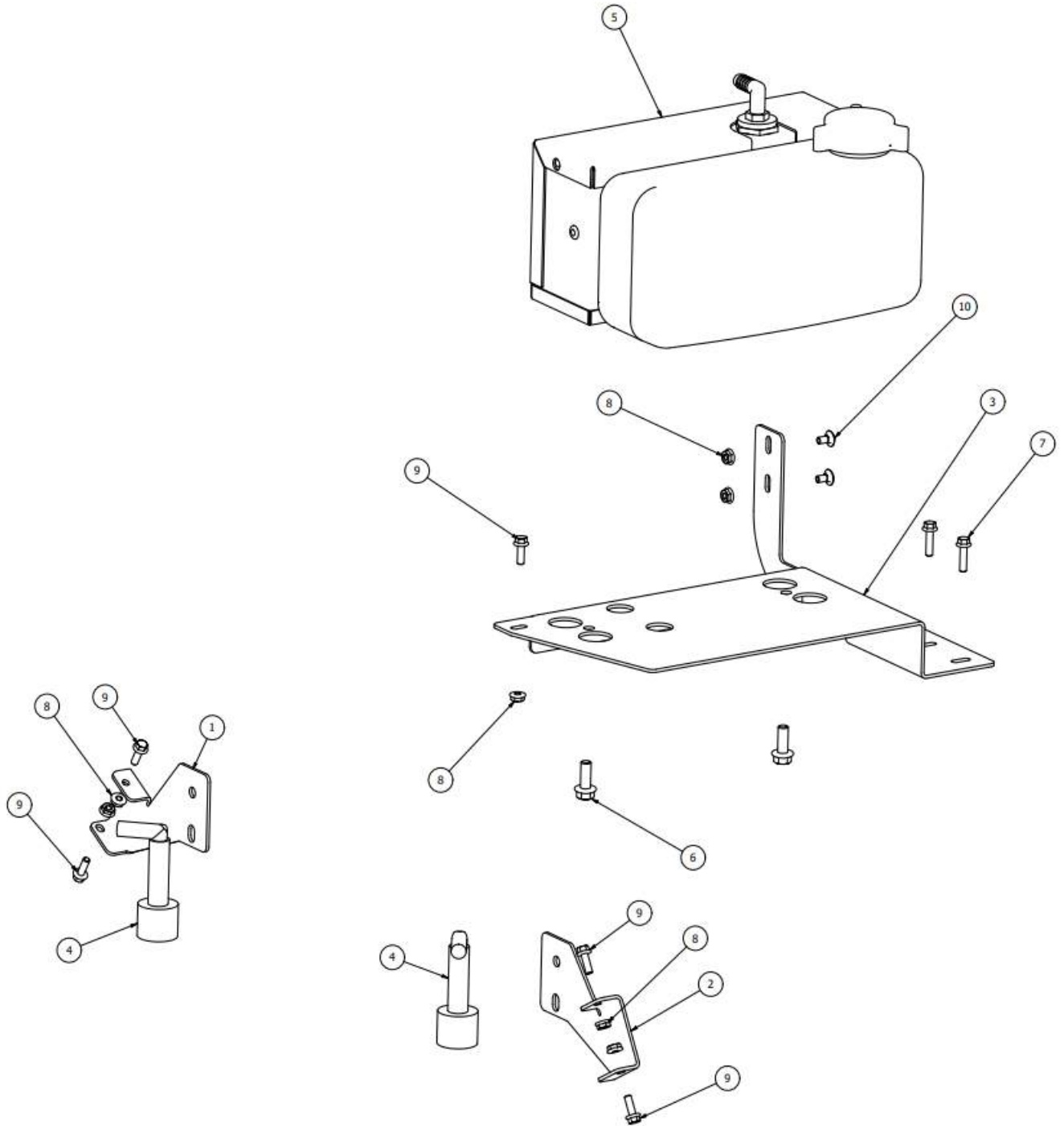


## INSTALLATION MANUAL

1 GAL. FOAM MARKER SG42\36

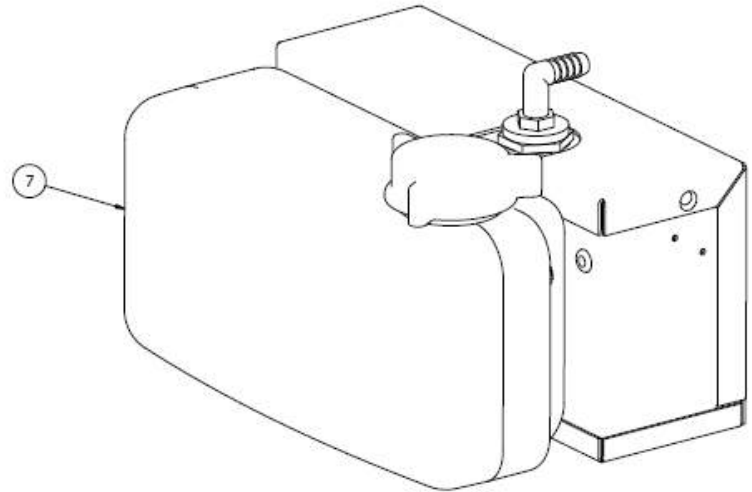


# 1 GALLON FOAM MARKER EXPLODED VIEW

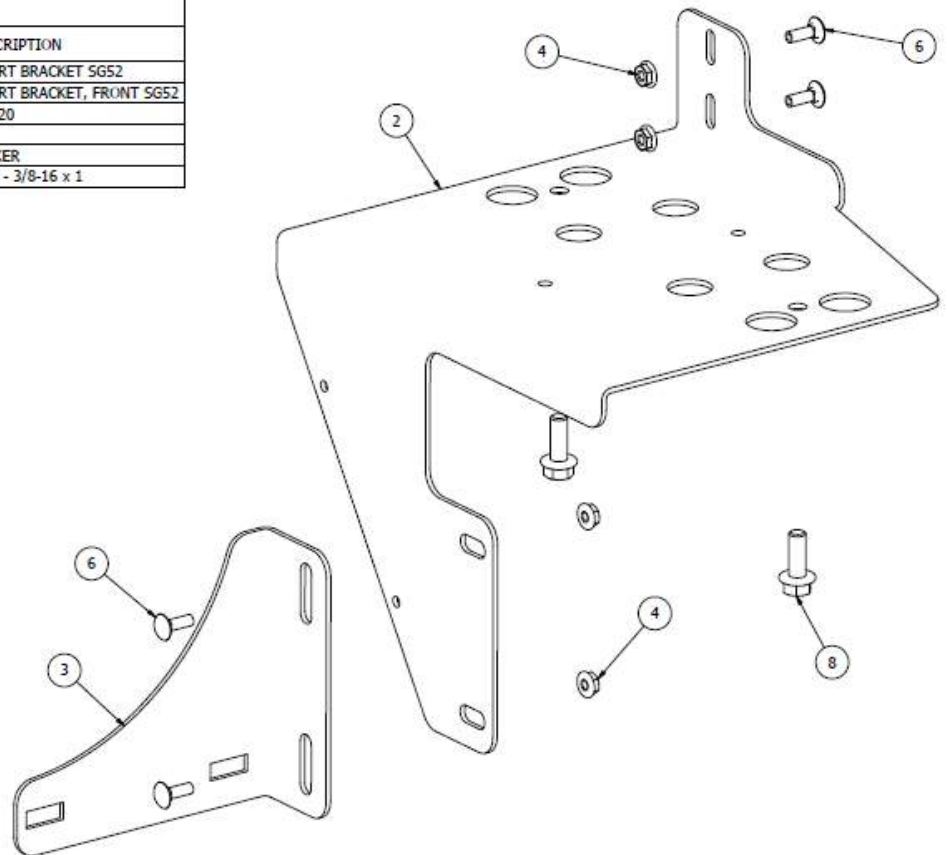


PARTS LIST			
ITEM	QTY	PART NUMBER	DESCRIPTION
1	1	R22-059	FOAM MARKER BOOM BRACKET
2	1	R22-059-L	FOAM MARKER BOOM BRACKET LEFT
3	1	R22-061	FOAM MARKER PUMP SUPPORT BRACKET 36"
4	2	X31100-2012	1 GALLON FOAM DROPPER
5	1	Z02445---TF-2012	FOAM MARKER PUMP/TANK ASSEMBLY
6	2	HFSSC-381	HEX FLANGE BOLT, SS - 3/8-16 X 1
7	2	IFI 111 - 1/4-20 UNC x 1	HEX FLANGE BOLT, SS - 1/4-20 X 1
8	7	IFI - I0.25 - 20	HEX FLANGE NUT 1/4-20
9	5	HFSSC-1475	HEX FLANGE BOLT, SS - 1/4-20 X 3/4
10	2	CB-1412	1/4-20 UNC X 1/2

# 1 GALLON FOAM MARKER EXPLODED VIEW SG52 OPTION



PARTS LIST			
ITEM	QTY	PART NUMBER	DESCRIPTION
2	1	R22-060	FOAM MARKER SUPPORT BRACKET SG52
3	1	R22-017	FOAM MARKER SUPPORT BRACKET, FRONT SG52
4	4	SSHIFN	HEX FLANGE NUT 1/4-20
6	4	CB-1434	1/4-20 X 3/4
7	1	Z02445---TF-2012	1 GALLON FOAM MARKER
8	2	HFSSC-381	HEX FLANGE BOLT, SS - 3/8-16 x 1



# 1 GAL. FOAM MARKER ASSEMBLY INSTRUCTIONS

**STEP ONE:** Disconnect the battery, *ground* first and then *power* wire.



GROUND

POWER

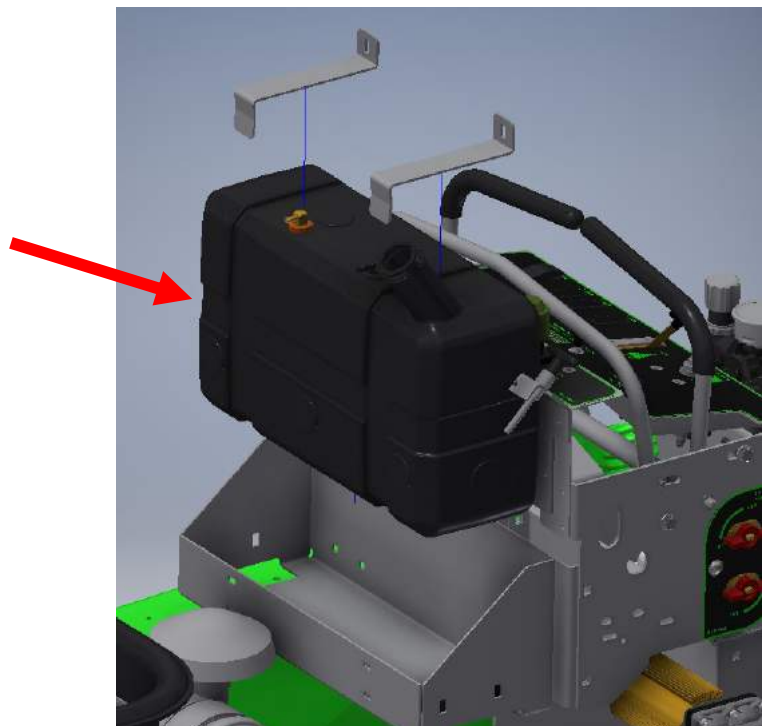
**STEP TWO:** Disconnect and remove the fuel tank.

## CAUTION!

- Beware of excess fuel in the lines.
- Fuel spillage.

## WARNING!

- Flammable gas.



## 1 GAL. FOAM MARKER ASSEMBLY INSTRUCTIONS

**STEP THREE:** Install the foam marker pump assembly.

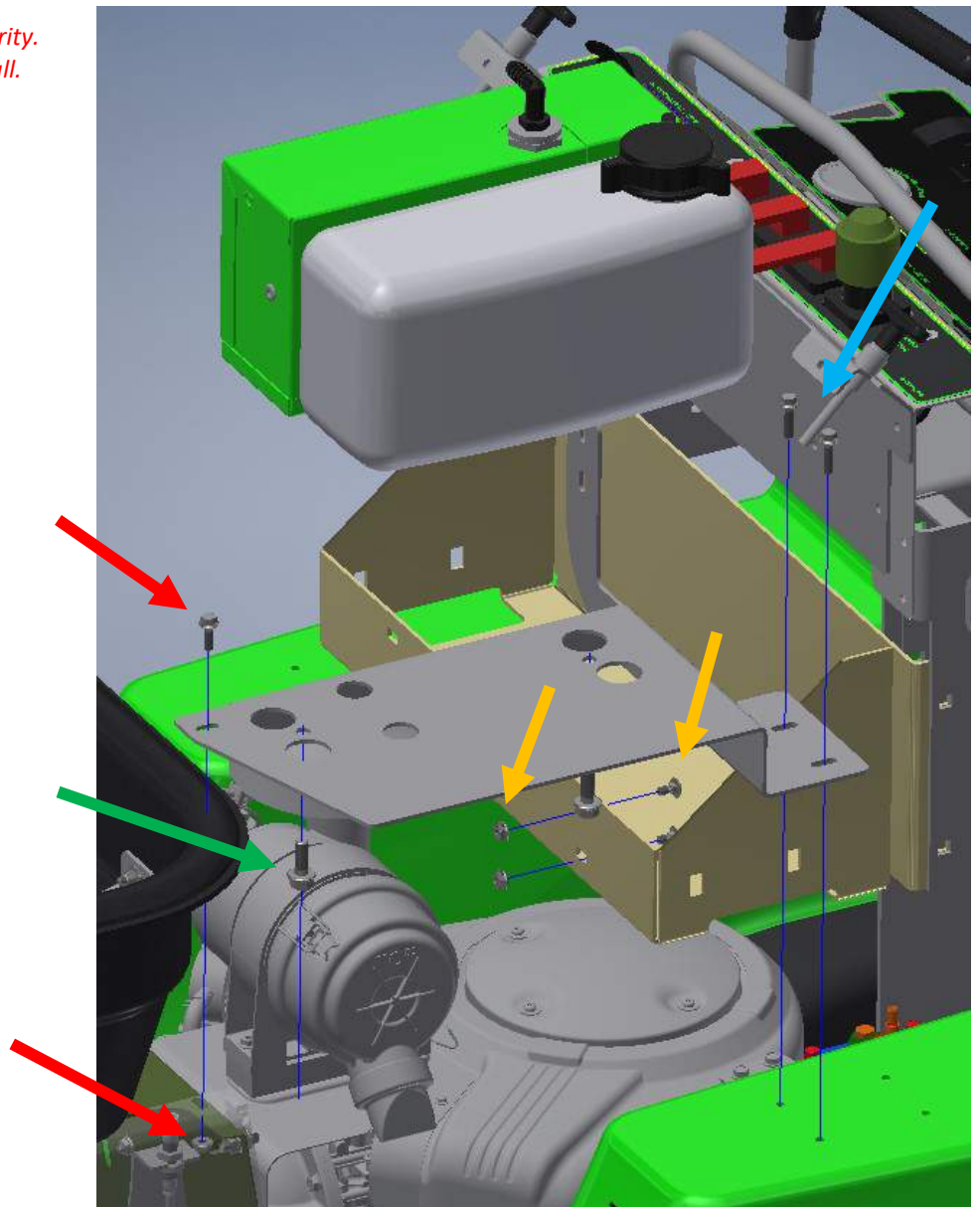
Attachment points:

- (A) The corner of the hopper assembly, "red arrows". HFSSC-1475 & IFI-10.25-20
- (B) The tank, "blue arrow". IFI 111
- (C) The fuel tank bracket, "yellow arrows". HFSSC-145 & IFI-10.25-20
- (D) Foam marker pump assembly, "green arrow". HFSSC-381

Once the foam marker is installed, reinstall the fuel tank.

**NOTES:**

- *Parts are shown in colors for clarity.*
- *See the next page for SG52 install.*



## 1 GAL. FOAM MARKER ASSEMBLY INSTRUCTIONS

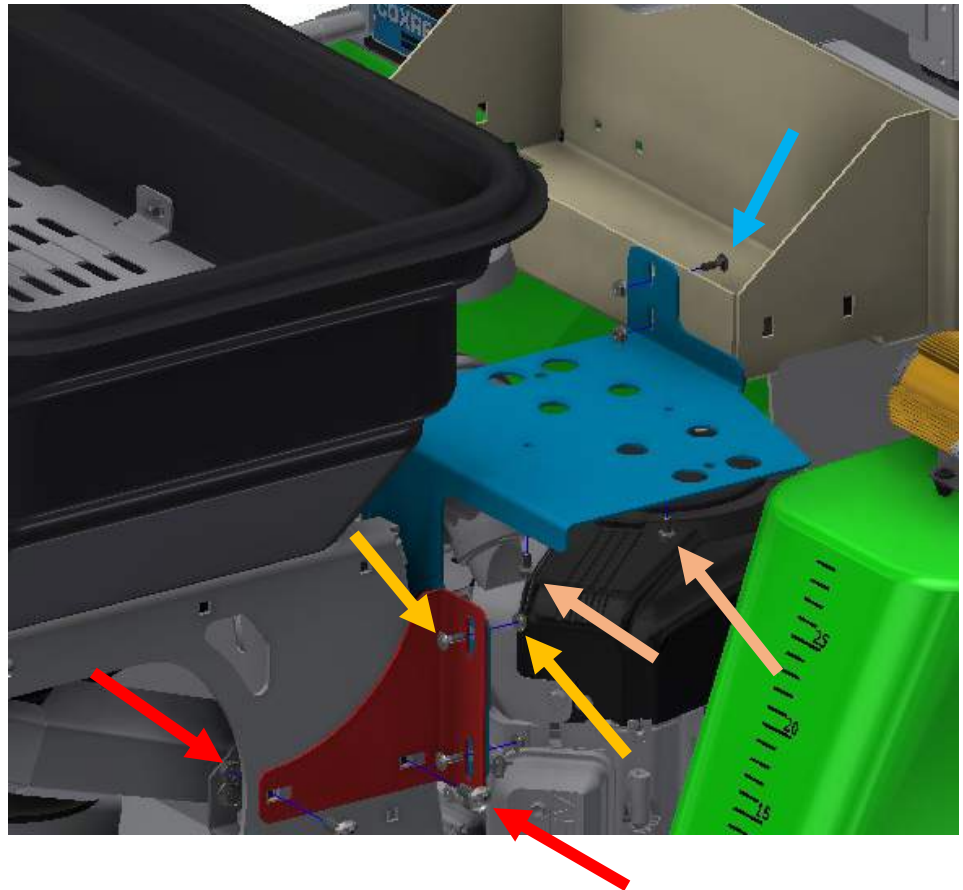
**NOTE:** *follow this step for installing the 1 gallon on an SG52.*

Attachment points:

- (A) The hopper support bracket , “red arrows”.
- (B) The fuel tank support “blue arrow”.
- (C) The 2 gallon foam marker support brackets, “yellow arrows”.
- (D) Foam marker pump assembly, “orange arrow”.

Once the foam marker is installed, reinstall the fuel tank.

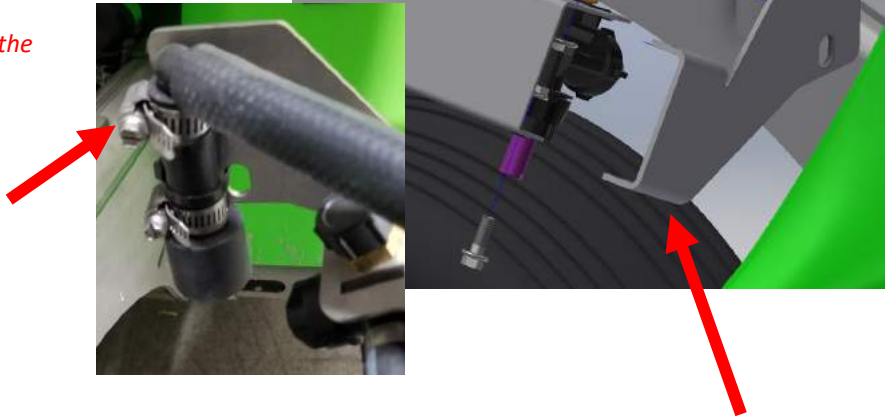
**NOTE:** *Parts are shown in colors for clarity.*



## 1 GAL. FOAM MARKER ASSEMBLY INSTRUCTIONS

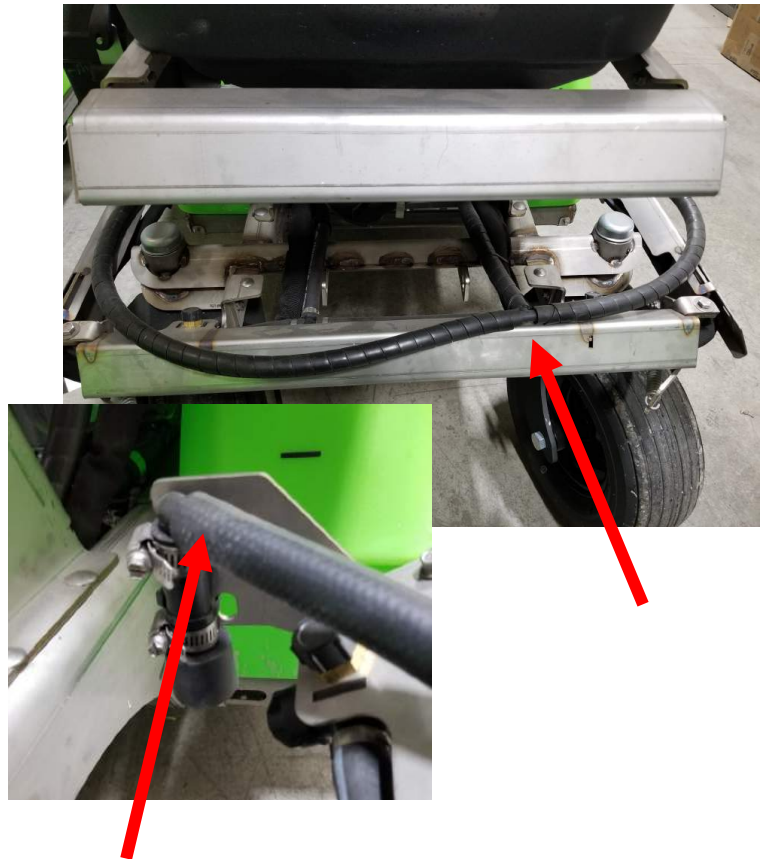
**STEP FOUR:** Attach the foam marker bracket to the end of the boom and fasten the foam marker to the bracket with hose clamps. HFSSC-1475 (2) & IFI-10.25-20 (2)

**NOTE:** Repeat step three for the other side of the boom.



**STEP FIVE:** Cut the provided hose to length as needed with the “tee” fitting positioned to the right as shown, route the hoses across the boom and connect to the “tee” fitting and foam markers as shown.

**NOTE:** Before cutting hoses, be sure to allow enough length to extend and fold the boom on both sides.

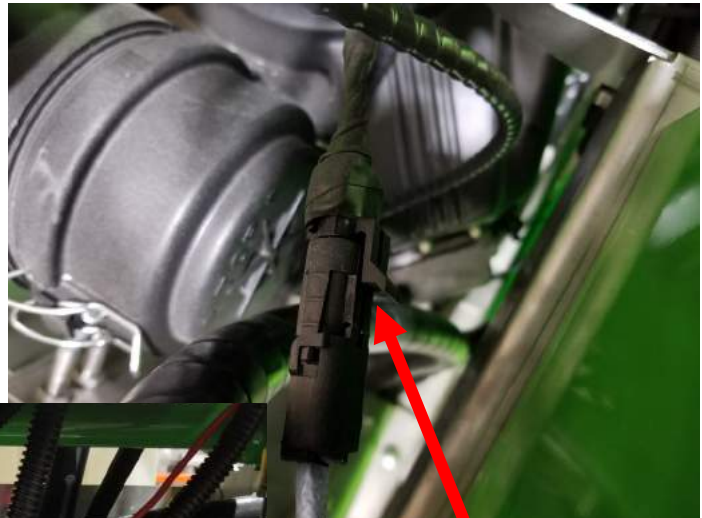


## 1 GAL. FOAM MARKER ASSEMBLY INSTRUCTIONS

**STEP SIX:** Cut the provided hose to length as needed and route it from the “tee” fitting, along the frame, and connect it to the foam marker pump.



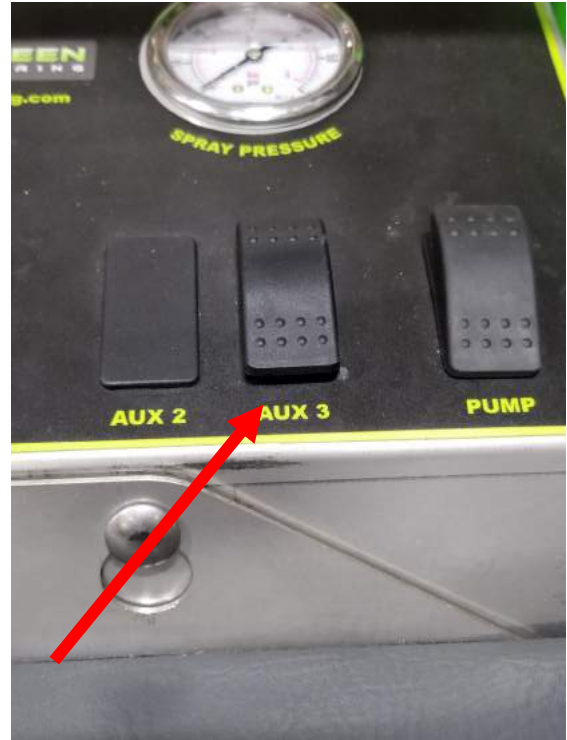
**STEP SEVEN:** Connect the “pump” wiring harness to the foam marker pump and route the harness along the up right frame to the control panel.





## 1 GAL. FOAM MARKER ASSEMBLY INSTRUCTIONS

**STEP EIGHT:** Remove the plastic cap from “aux 3” in the panel and route the switch connector of the “pump” wiring harness through the hole in the panel.



**STEP NINE:** Connect the “pump” wiring harness to the “20A” side of the rocker switch.



## 1 GAL. FOAM MARKER ASSEMBLY INSTRUCTIONS

**STEP TEN:** Connect the ground wire from the “pump” wiring harness to the up right cross member.

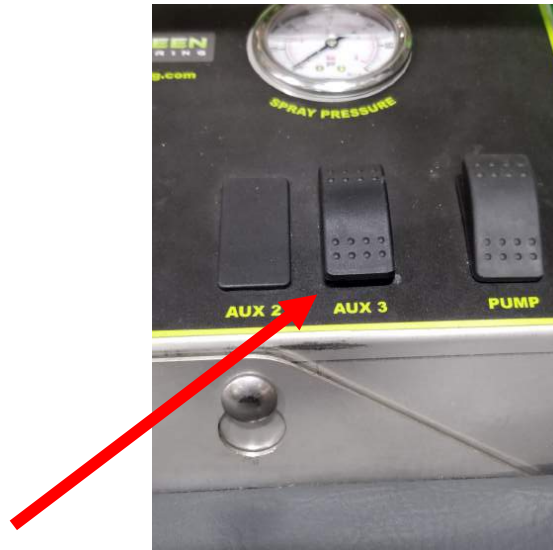


**STEP ELEVEN:** Connect the “pump power” wiring harness to the other side of the rocker switch and route the harness down through the up right, and along the frame to the battery.

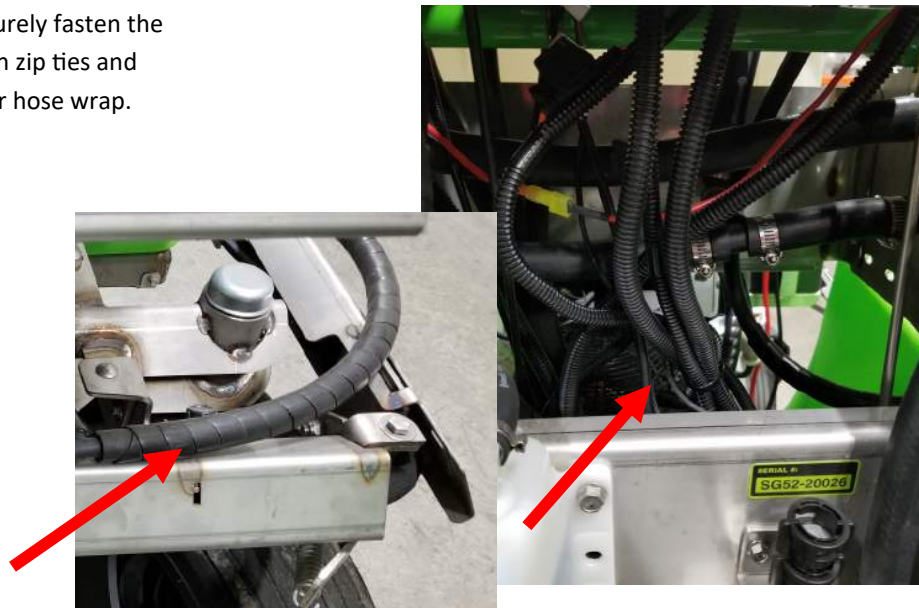


# 1 GAL. FOAM MARKER ASSEMBLY INSTRUCTIONS

**STEP TWELVE:** Install the rocker switch in the control panel.



**STEP THIRTEEN:** Once all hose connections and wiring connections are made, securely fasten the wiring harnesses to the frame with zip ties and wrap hoses with protective rubber hose wrap.



# 1 GAL. FOAM MARKER ASSEMBLY INSTRUCTIONS

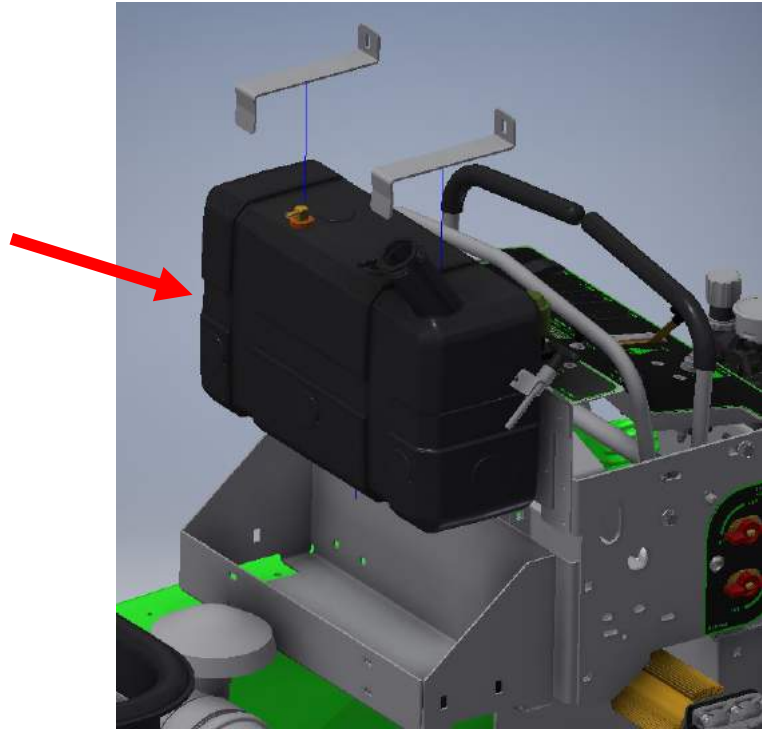
**STEP FORTTEEN:** Reinstall the fuel tank.

## CAUTION!

- Beware of excess fuel in the lines.
- Fuel spillage.

## WARNING!

- Flammable gas.



**STEP FIFTEEN:** Reconnect the battery, *power* wire first along with the *pump power* wire from the wiring harness, and then reconnect the *ground* wire.



GROUND

POWER



**MADE IN THE USA**

Steel Green Mfg.  
920 S State Road 39  
Lebanon, IN 46052  
(756)-481-2890  
[www.steelgreenmfg.com](http://www.steelgreenmfg.com)

SG36 KIT P10011-1