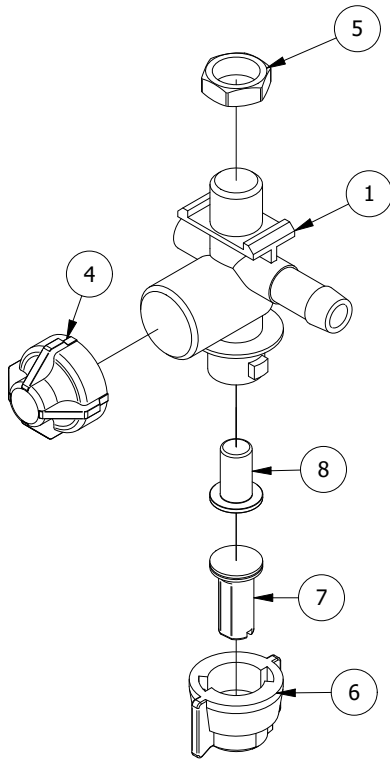
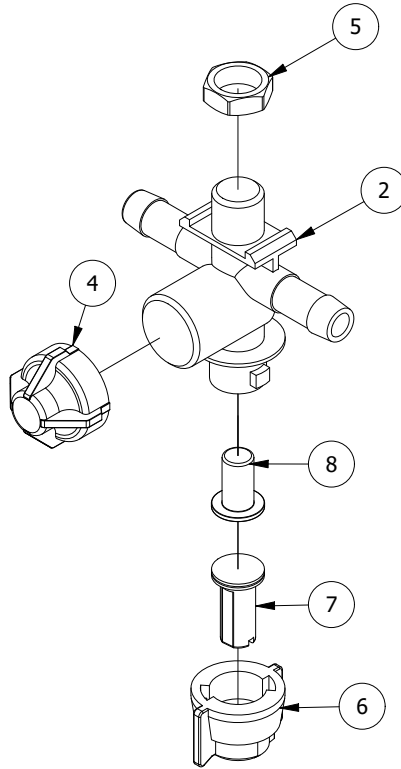


B

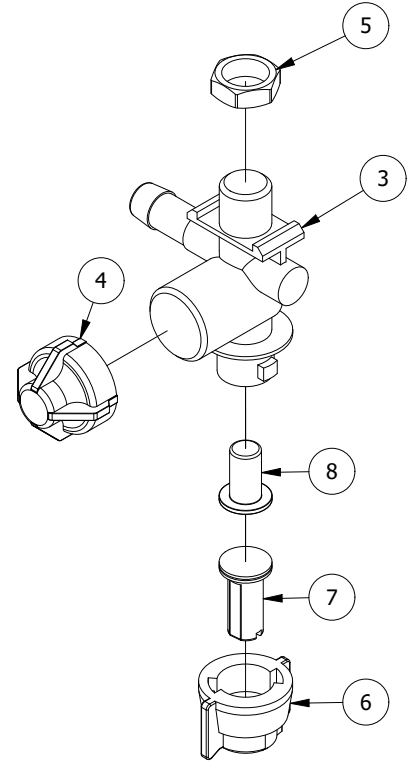
B



**LEFT
NOZZLE ASSEMBLY**



**CENTER
NOZZLE ASSEMBLY**



**RIGHT
NOZZLE ASSEMBLY**

A

A

PARTS LIST

ITEM	QTY	PART NUMBER	DESCRIPTION
1	1	S51010	LEFT NOZZLE BODY
2	1	S51011	CENTER NOZZLE BODY
3	1	S51012	RIGHT NOZZLE BODY
4	1	S51113	NOZZLE BODY CAP
5	1	S51010-N	NOZZLE BODY NUT, BRASS
6	1	S51200	TIP CAP
7	1	S50025	SPRAY TIP, LAVENDER
8	1	S51280	CHECK VALVE 50 MESH