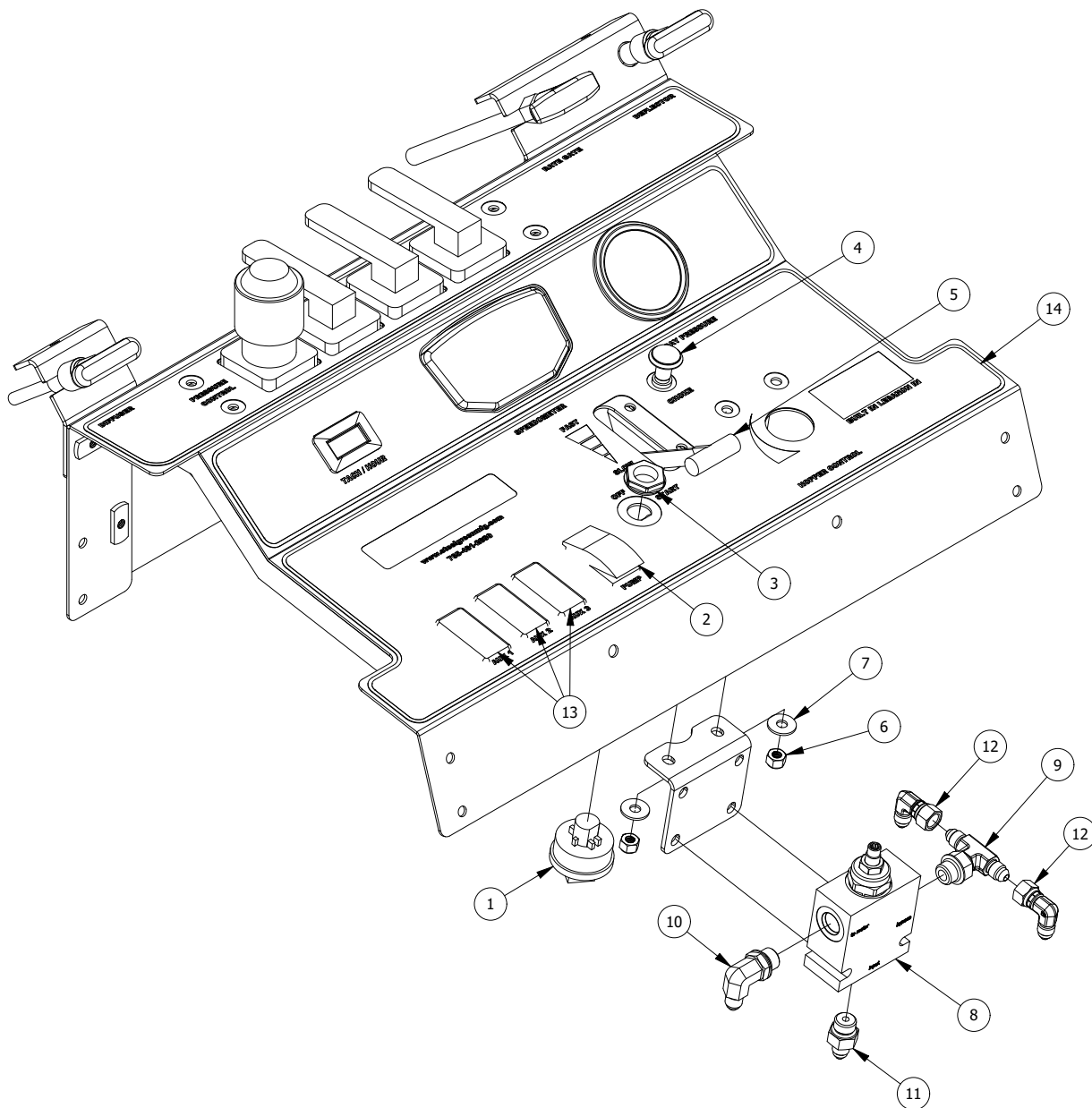


# DASH PANEL ASSEMBLY (LOWER)



## PARTS LIST

| ITEM | QTY | PART NUMBER  | DESCRIPTION                              |
|------|-----|--------------|--|
| 1    | 1   | E40215       | KEY SWITCH                               |
| 2    | 1   | E40202       | ROCKER SWITCH                            |
| 3    | 1   | E40215-N     | KEY SWITCH NUT                           |
| 4    | 1   | D71001       | CHOKE CABLE                              |
| 5    | 1   | D71000       | THROTTLE CABLE                           |
| 6    | 6   | SSNNC-14     | NYLOCK, SS - 1/4-20                      |
| 7    | 6   | FWSS-14      | FLAT WASHER, SS - 1/4                    |
| 8    | 1   | H81430       | VALVE, HYDROFORCE                        |
| 9    | 1   | 4-4-6_S50X-S | TEE                                      |
| 10   | 1   | H84000       | 1/4 MALE JIC x 3/8 ORB ELB               |
| 11   | 1   | H84003       | 1/4 MALE JIC x 3/8 ORB STR               |
| 12   | 2   | H84008       | 1/4 MALE JIC x 1/4 FEMALE SWIVEL NUT ELB |
| 13   | 3   | E40202-B     | BLANK, ROCKER SWITCH                     |
| 14   | 1   | C60310       | DECAL, MAIN DASH                         |