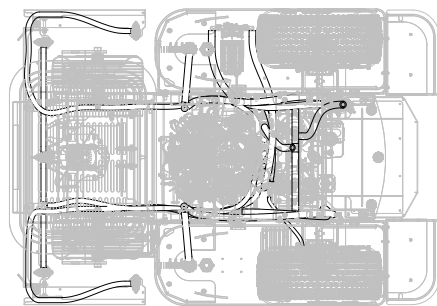
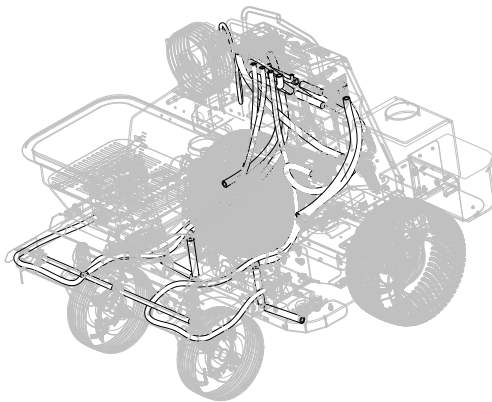


2



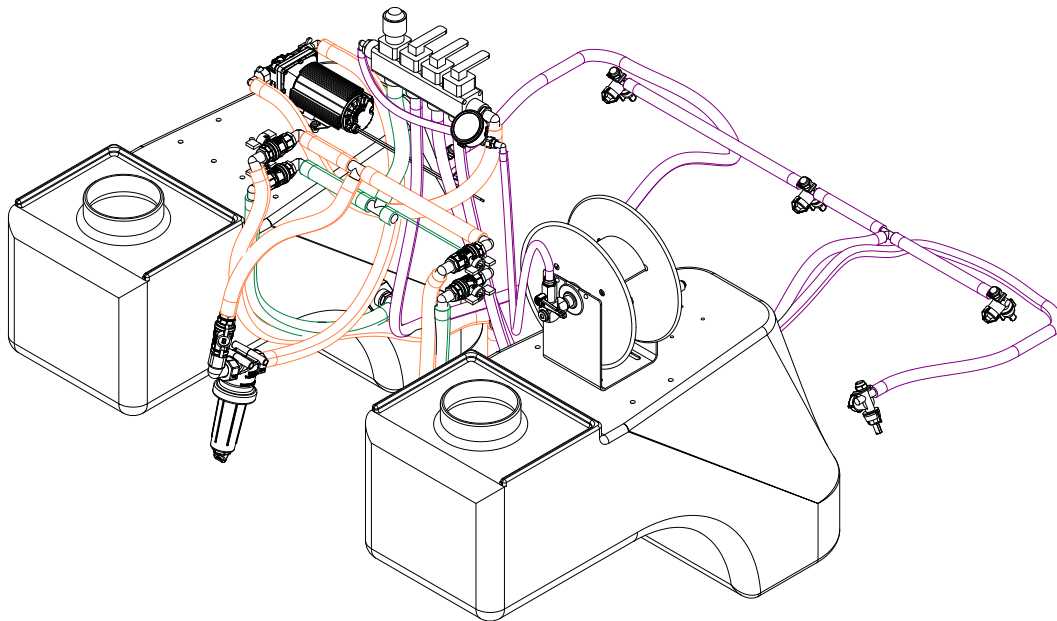
1

SG52  
HOSE ROUTES



B

B

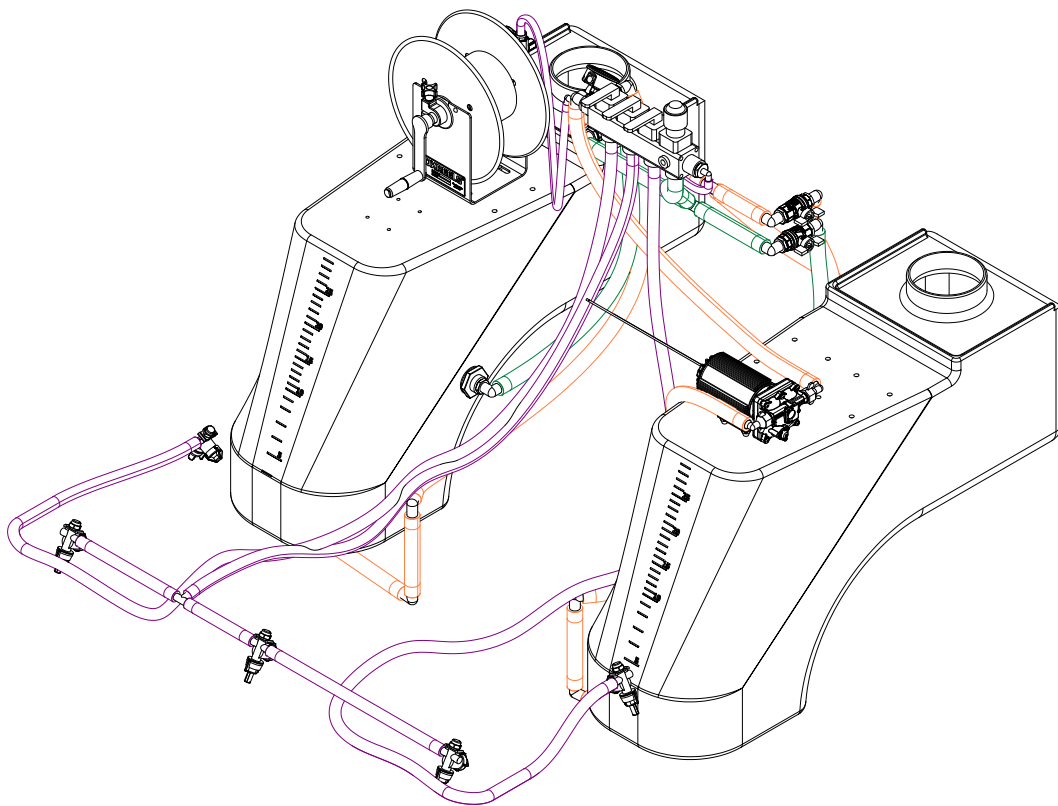


SUPPLY  
RETURN  
OUTPUT



A

A



2



1