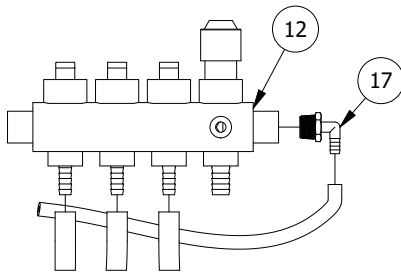
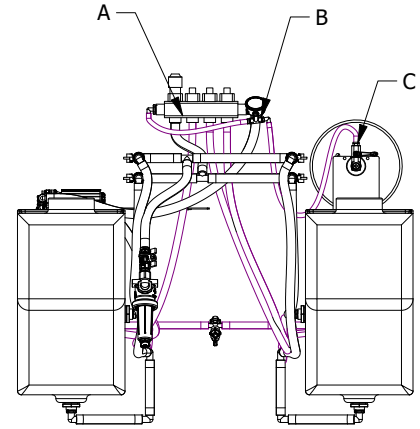
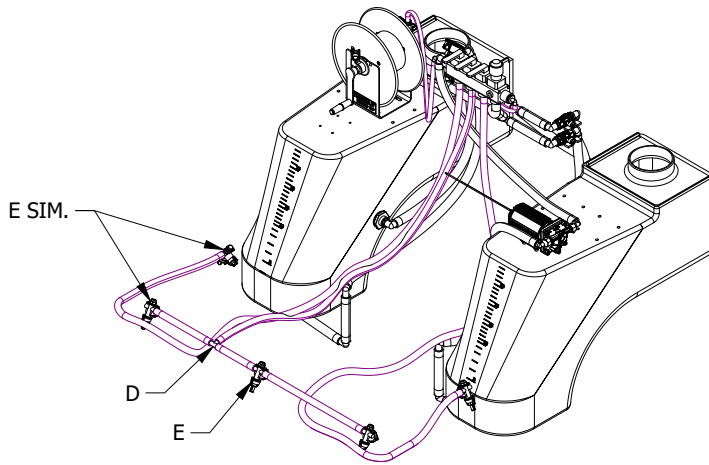
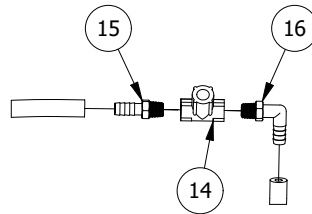




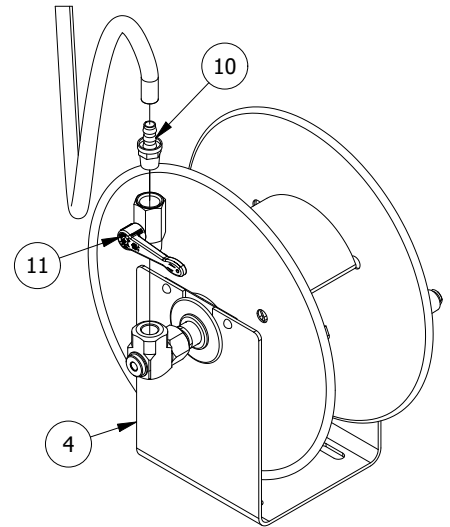
SG52
HOSE ROUTES
OUTPUT



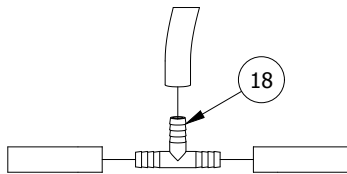
DETAIL A



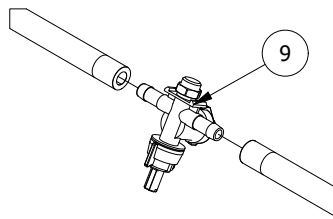
DETAIL B



DETAIL C



DETAIL D



DETAIL E

PARTS LIST

ITEM	QTY	PART NUMBER	DESCRIPTION
1	6	S51242	BULKHEAD, 3/4" (HOLE 1-7/16")
2	13	S52029	BARB, 3/4 MPT x 3/4 BARB 90
3	2	S52081	PLUG, 3/4" MPT
4	1	S53001	HOSE REEL
5	4	S52043	BARB, 3/4" ELBOW
6	1	S54000	PUMP, 5.3 GPM, 90 PSI, SHURFLO
7	2	S54102	FITTING, SHURFLO PUMP
8	2	S50062	TEE, BARBED 3/4"
9	1	S51011	CENTER NOZZLE ASSY
10	1	H84023	BARB, BRASS 3/8" HOSE
11	1	S51277	VALVE, 3/8"
12	1	S51300	MANIFOLD
13	5	S51296	VALVE, 3/4" F.P. (RED HANDLE)
14	1	S52003	TEE, 1/4" FPT
15	1	S52012	BARB, 1/4" MPT x 3/8"
16	1	S52021	BARB, 1/4" MPT x 3/8" 90
17	1	S52034	BARB, 3/4" MPT x 3/8" 90
18	1	S520061	TEE, BARBED, 1/2"

