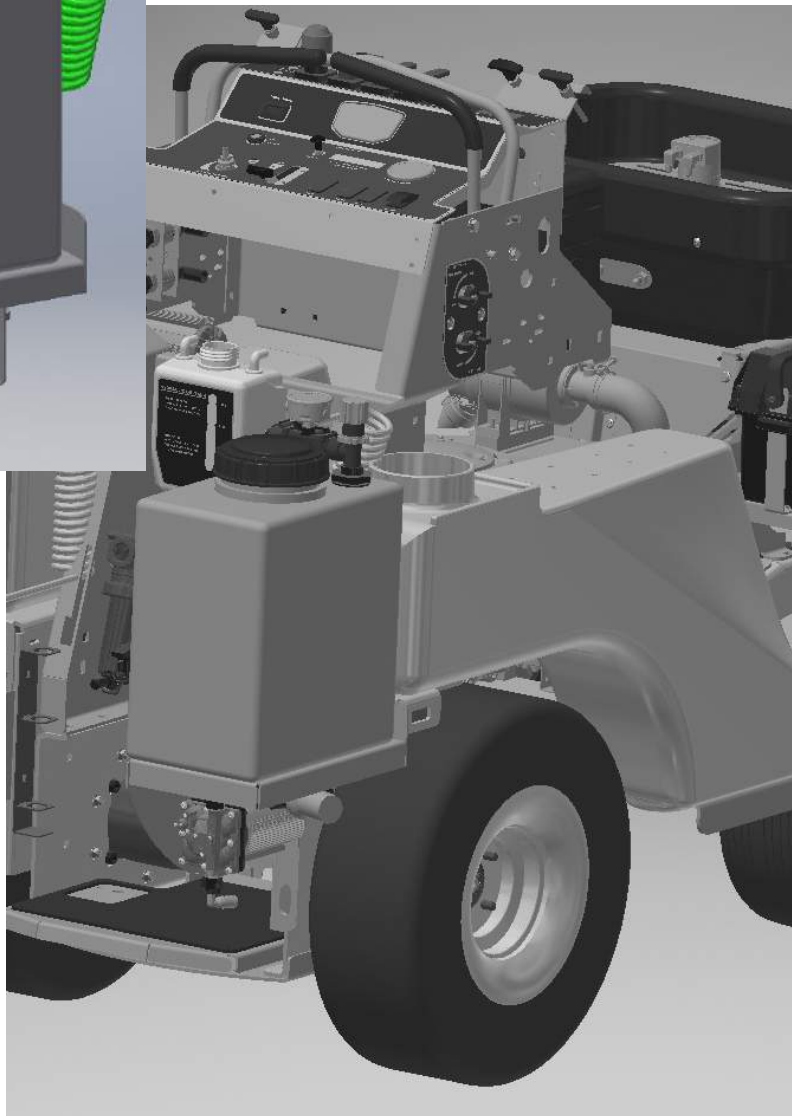
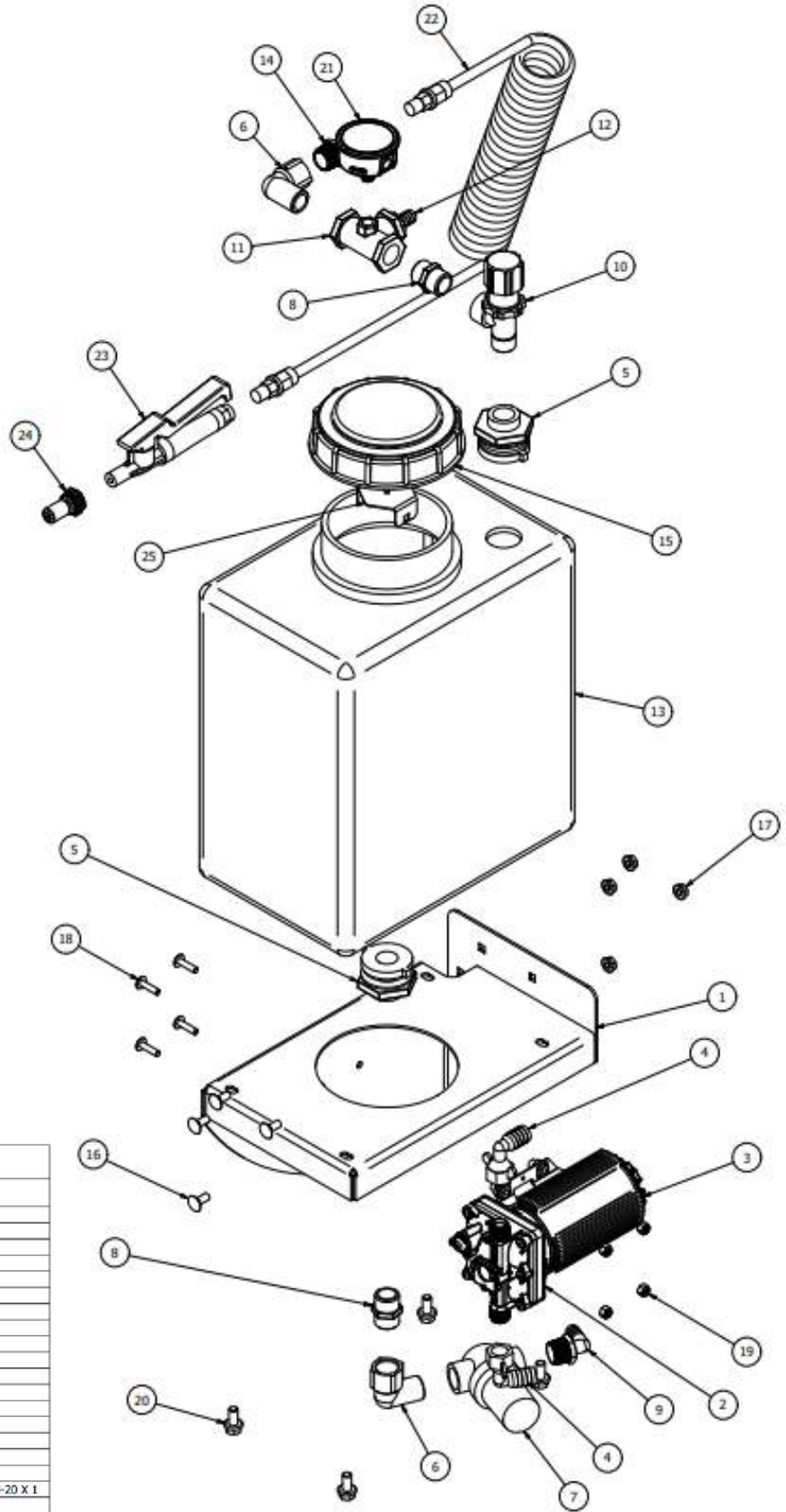


**INSTALLATION MANUAL**

**7 GAL. INDEPENDENT SPRAYER SG42\36**

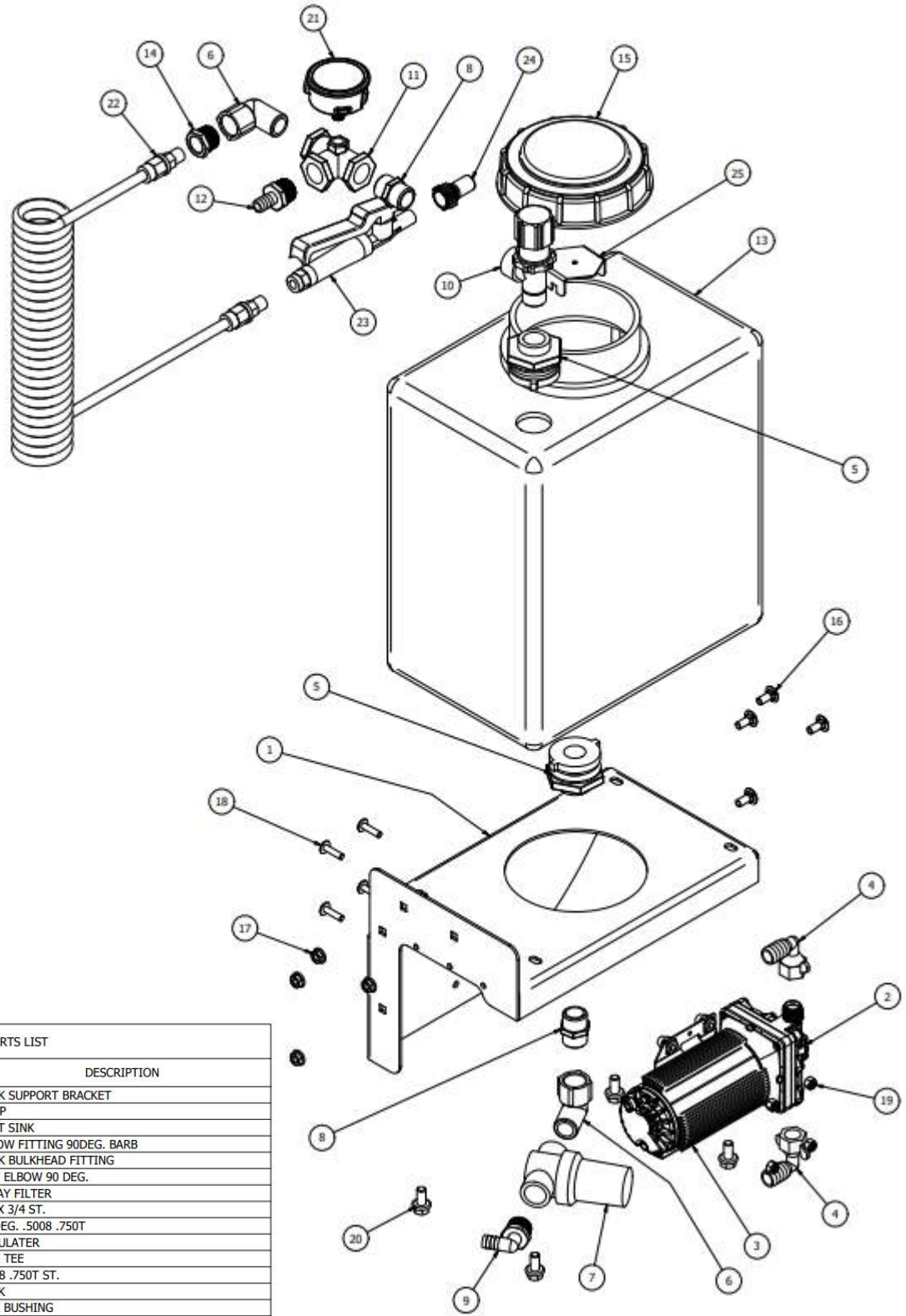


# 7 GAL. INDEPENDENT SPRAYER EXPLODED VIEW \ RIGHT SIDE



PARTS LIST			
ITEM	QTY	PART NUMBER	DESCRIPTION
1	1	R22-009-R	TANK SUPPORT BRACKET
2	1	S54000	PUMP
3	1	S54120	HEAT SINK
4	2	S54103	ELBOW FITTING 90DEG. BARB
5	2	S51242	TANK BULKHEAD FITTING
6	2	S52041	PIPE ELBOW 90 DEG.
7	1	S51270	SPRAY FILTER
8	2	S52063	3/4 X 3/4 ST.
9	1	S52028	90 DEG. .5008 .750T
10	1	S51283	REGULATOR
11	1	S52001	PIPE TEE
12	1	S52016	.5008 .750T ST.
13	1	M1007	TANK
14	4	S52051	PIPE BUSHING
15	4	S51243	TANK CAP
16	4	CB-51634	CARRIAGE BOLT, SS-5/16-18 X 3/4
17	4	HFVCS-516S	HEX FLANGE NUT, SS-5/16-18
18	4	TRPC-141S	PHILLIPS PAN HEAD MACHINE SCREW, SS-1/4-20 X 1
19	1	SSNNC-14	NYLOCK, SS-1/4-20
20	1	HFSSC-2875	HEX FLANGE SCREW 3/8-16 X 3/4
21	1	S51234-D	GAUGE 60 PSI
22	1	S53019	15' COIL HOSE
23	1	S51260	SPRAY GUN
24	1	S51261	SPRAY GUN TIP
25	1	R21-113	ANTI VORTEX PLATE

## 7 GAL. INDEPENDENT SPRAYER EXPLODED VIEW \ LEFT SIDE



PARTS LIST

ITEM	QTY	PART NUMBER	DESCRIPTION
1	1	R22-009	TANK SUPPORT BRACKET
2	1	S54000	PUMP
3	1	S54120	HEAT SINK
4	2	S54103	ELBOW FITTING 90DEG. BARB
5	2	S51242	TANK BULKHEAD FITTING
6	2	S52041	PIPE ELBOW 90 DEG.
7	1	S51270	SPRAY FILTER
8	2	S52063	3/4 X 3/4 ST.
9	1	S52028	90 DEG. .5008 .750T
10	1	S51283	REGULATOR
11	1	S52001	PIPE TEE
12	1	S52016	.5008 .750T ST.
13	1	M1007	TANK
14	4	S52051	PIPE BUSHING
15	4	S51243	TANK CAP
16	4	CB-51634	CARRIAGE BOLT,SS-5/16-18 X 3/4
17	4	HFNC5-5165	HEX FLANGE NUT, SS-5/16-18
18	4	TRPC-141S	PHILLIPS PAN HEAD MACHINE SCREW, SS-1/4-20 X 1
19	1	SSNNC-14	NYLOCK, SS-1/4-20
20	1	HFSSC-2875	HEX FLANGE SCREW 3/8-16 X 3/4
21	1	S51234-D	GUAGE 60 PSI
22	1	S53019	15' COIL HOSE
23	1	S51260	SPRAY GUN
24	1	S51261	SPRAY GUN TIP
25	1	R21-113	ANTI VORTEX PLATE



## 7 GAL. INDEPENDENT SPRAYER ASSEMBLY INSTRUCTIONS

**STEP ONE:** Disconnect the battery, *ground* first and then *power* wire.

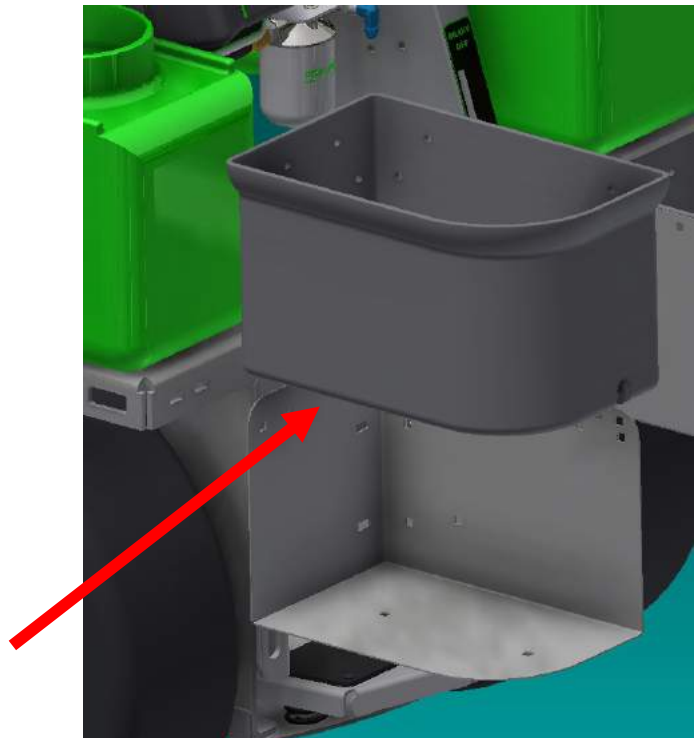


GROUND

POWER

**STEP TWO:** Remove existing storage container and support bracket from the frame.

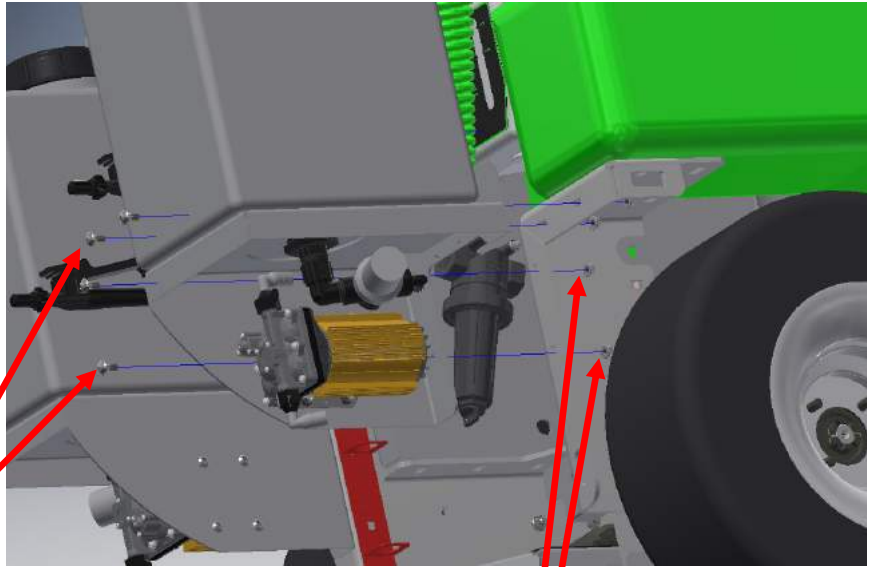
**NOTE:** *Instructions are the same for the right and left side.*



## 7 GAL. INDEPENDENT SPRAYER ASSEMBLY INSTRUCTIONS

**STEP THREE:** Install the independent sprayer to the frame as shown.

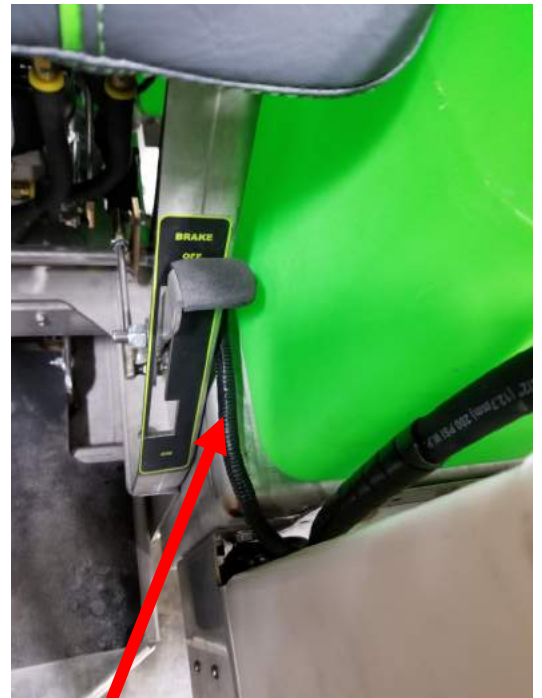
**NOTE:** *Instructions are the same for the right and left side.*



Carriage bolts CB-51634 qty. (4)

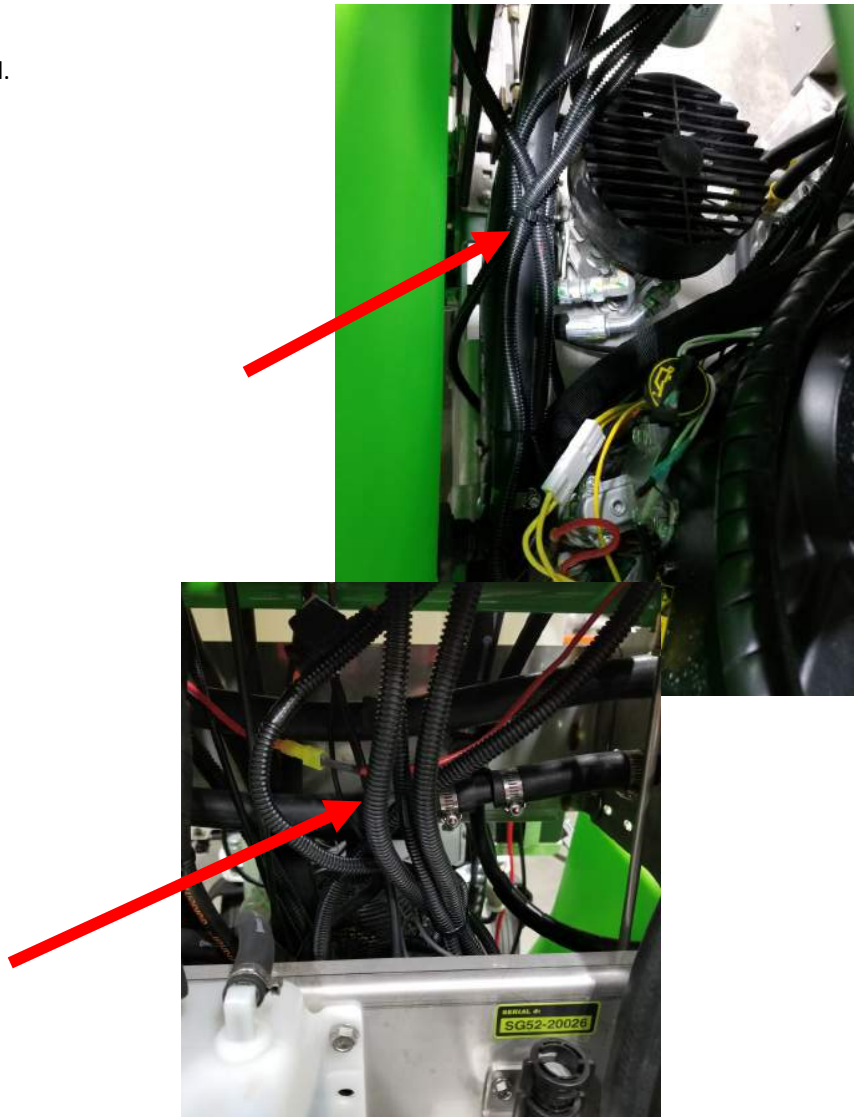
Hex nuts HFNCS-516S qty. (4)

**STEP FOUR:** Connect the “pump” wiring harness to the pump plug and route the harness between the tank and upright.

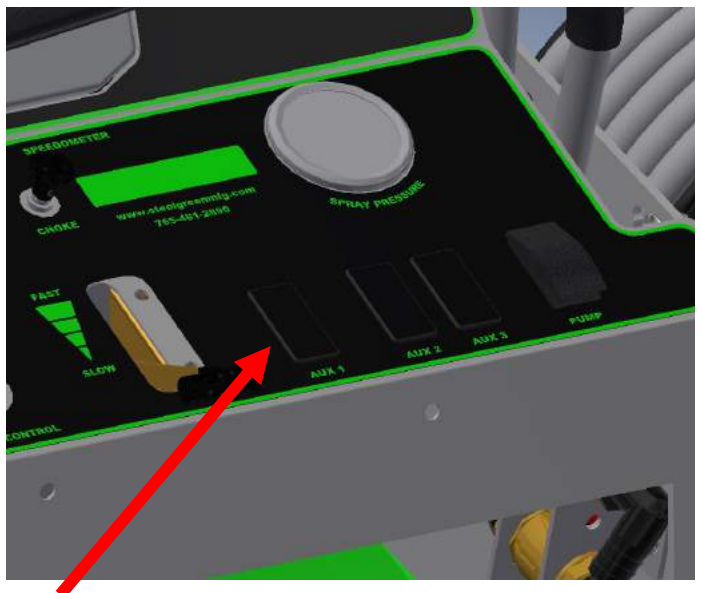


## 7 GAL. INDEPENDENT SPRAYER ASSEMBLY INSTRUCTIONS

**STEP FIVE:** Route the “pump” wiring harness along the frame and upright to the control panel.



**STEP SIX:** Remove the plastic cap from “Aux 1” in the panel and route the switch connector of the “pump” wiring harness through the hole in the panel.



## 7 GAL. INDEPENDENT SPRAYER ASSEMBLY INSTRUCTIONS

**STEP SEVEN:** Connect the “pump” wiring harness to the “20A” side of the rocker switch.



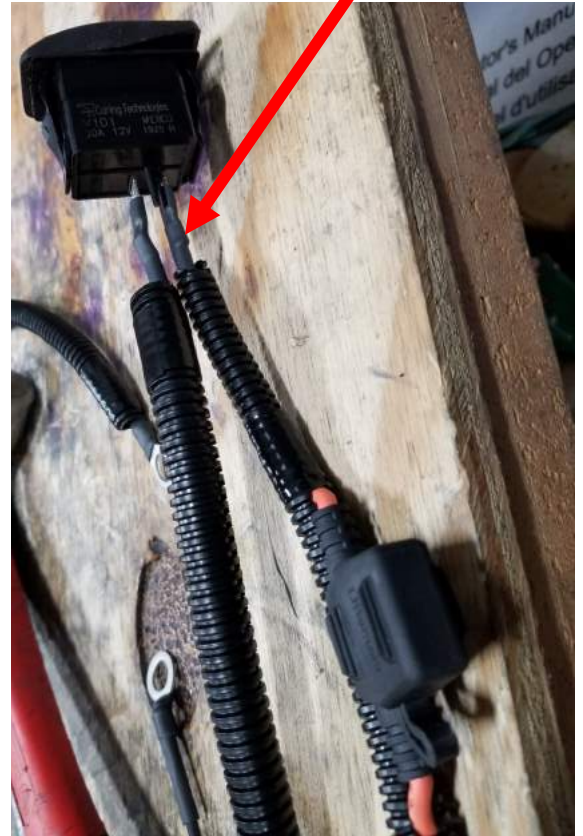
**STEP EIGHT:** Connect the ground wire from the “pump” wiring harness to the up right cross member.





## 7 GAL. INDEPENDENT SPRAYER ASSEMBLY INSTRUCTIONS

**STEP NINE:** Connect the “pump power” wiring harness to the other side of the rocker switch.



**STEP TEN:** Install the rocker switch in the control panel and route the “pump power” wiring harness down the up right, along the frame to the battery.



## 7 GAL. INDEPENDENT SPRAYER ASSEMBLY INSTRUCTIONS

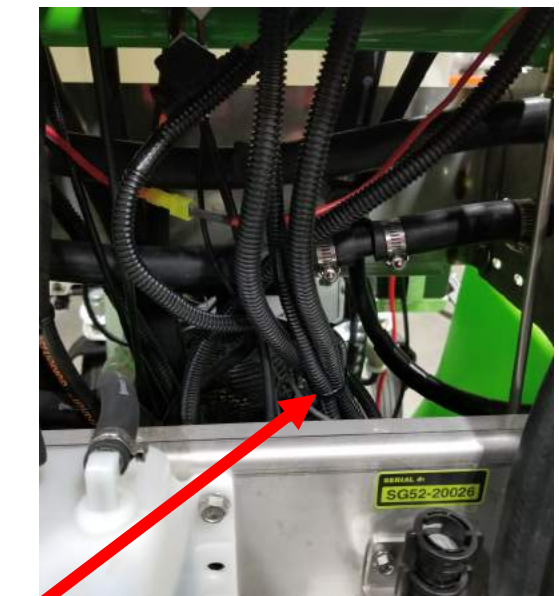
**STEP ELEVEN:** Reconnect the battery *power wire* first along with the *pump power wire* from the wiring harness, and then reconnect the *ground* wire.



GROUND

POWER

**STEP TWELVE:** Once both harnesses are routed and connected, securely fasten them to the frame and existing harnesses in the up right with zip ties.





**MADE IN THE USA**

Steel Green Mfg.  
920 S State Road 39  
Lebanon, IN 46052  
(756)-481-2890  
[www.steelgreenmfg.com](http://www.steelgreenmfg.com)

SG42\36 KIT P10031