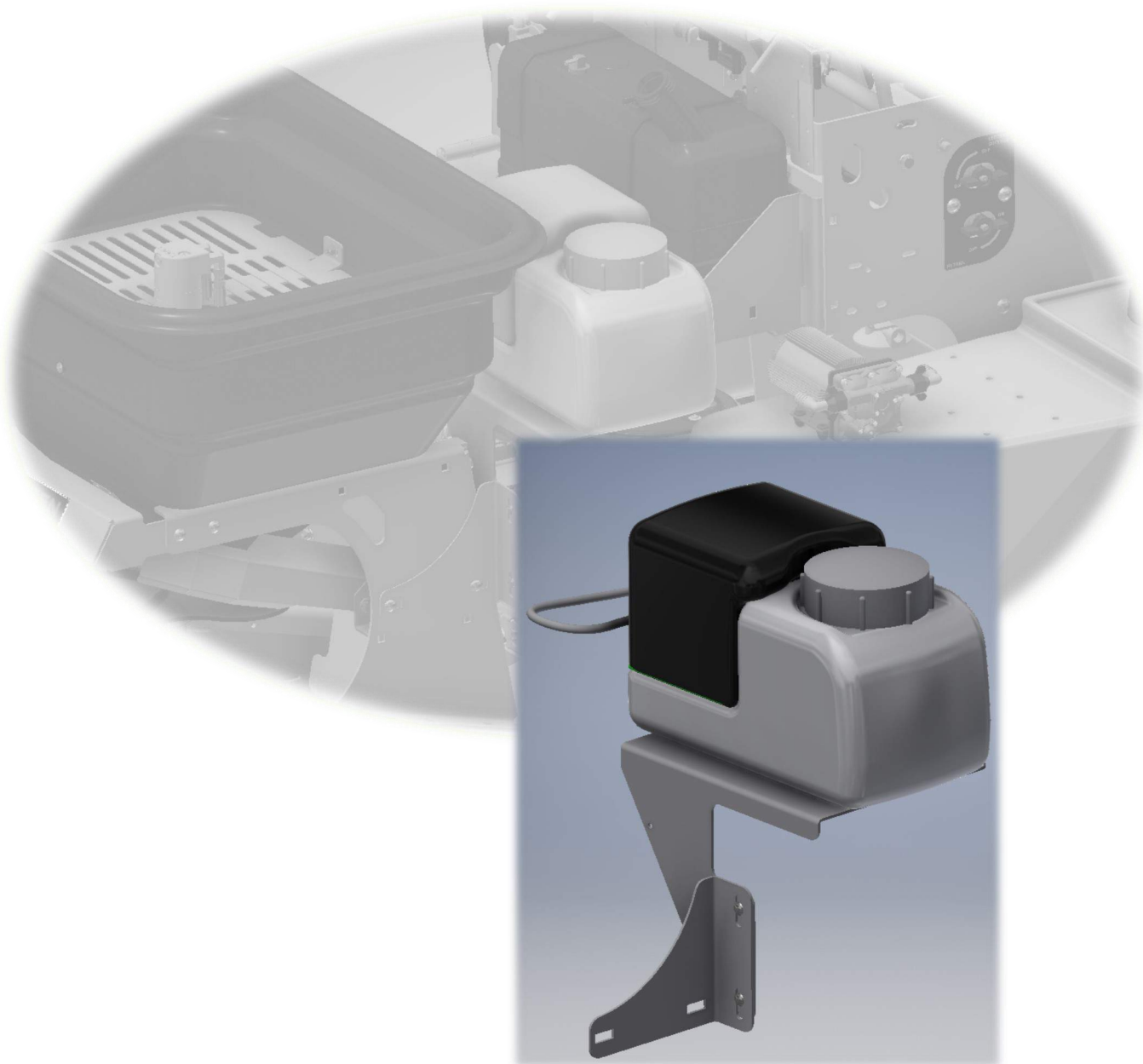


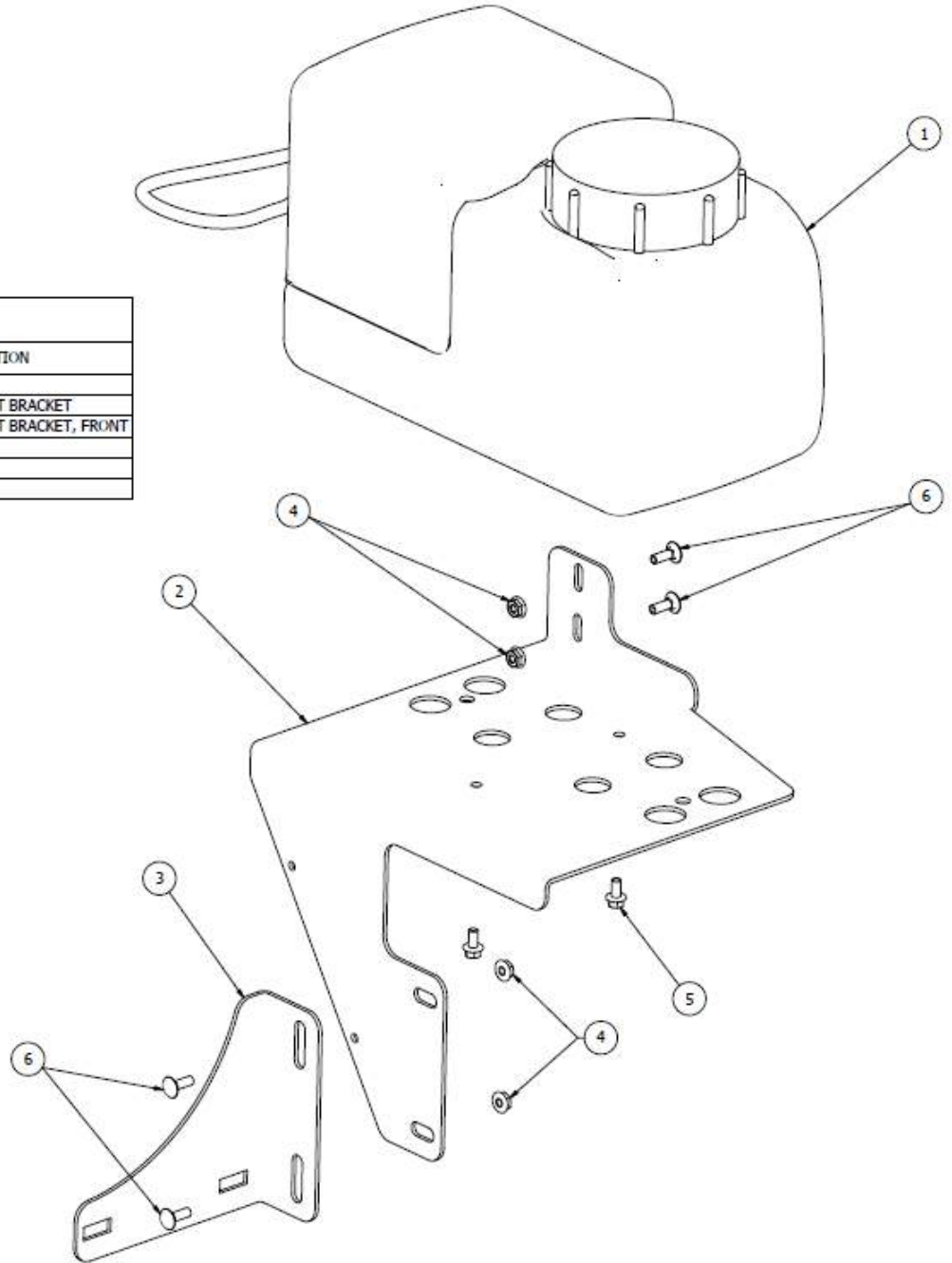
**INSTALLATION MANUAL**

**2 GAL. FOAM MARKER SG52\46**



## 2 GALLON FOAM MARKER EXPLODED VIEW

PARTS LIST			
ITEM	QTY	PART NUMBER	DESCRIPTION
1	1	MTD 2020	STEP AP203
2	1	R22-060	FOAM MARKER SUPPORT BRACKET
3	1	R22-017	FOAM MARKER SUPPORT BRACKET, FRONT
4	4	SSHIFN .250-20	HEX FLANGE NUT
5	2	HFSSC-145	1/4-20 UNC X 1/2
6	4	CB-1434	1/4-20 UNC X 3/4



Also included in the kit:

- Foam marker assemblies
- "y" adapter assemblies
- Wiring harness
- Tubing & hose wrap



## 2 GAL. FOAM MARKER ASSEMBLY INSTRUCTIONS

**STEP ONE:** Disconnect the battery, *ground* first and then *power* wire.



GROUND

POWER

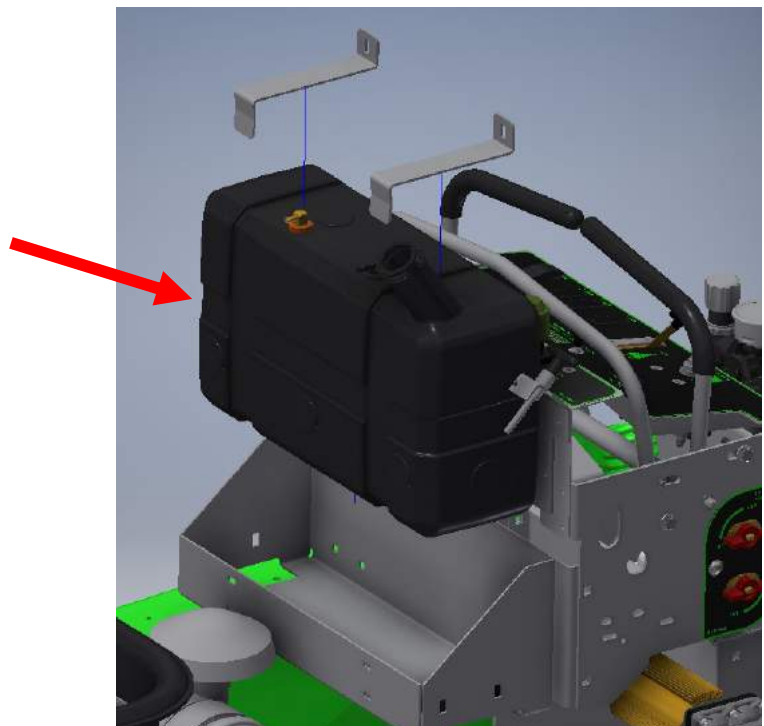
**STEP TWO:** Disconnect and remove the fuel tank.

### CAUTION!

- Beware of excess fuel in the lines.
- Fuel spillage.

### WARNING!

- Flammable gas.



## 2 GAL. FOAM MARKER ASSEMBLY INSTRUCTIONS

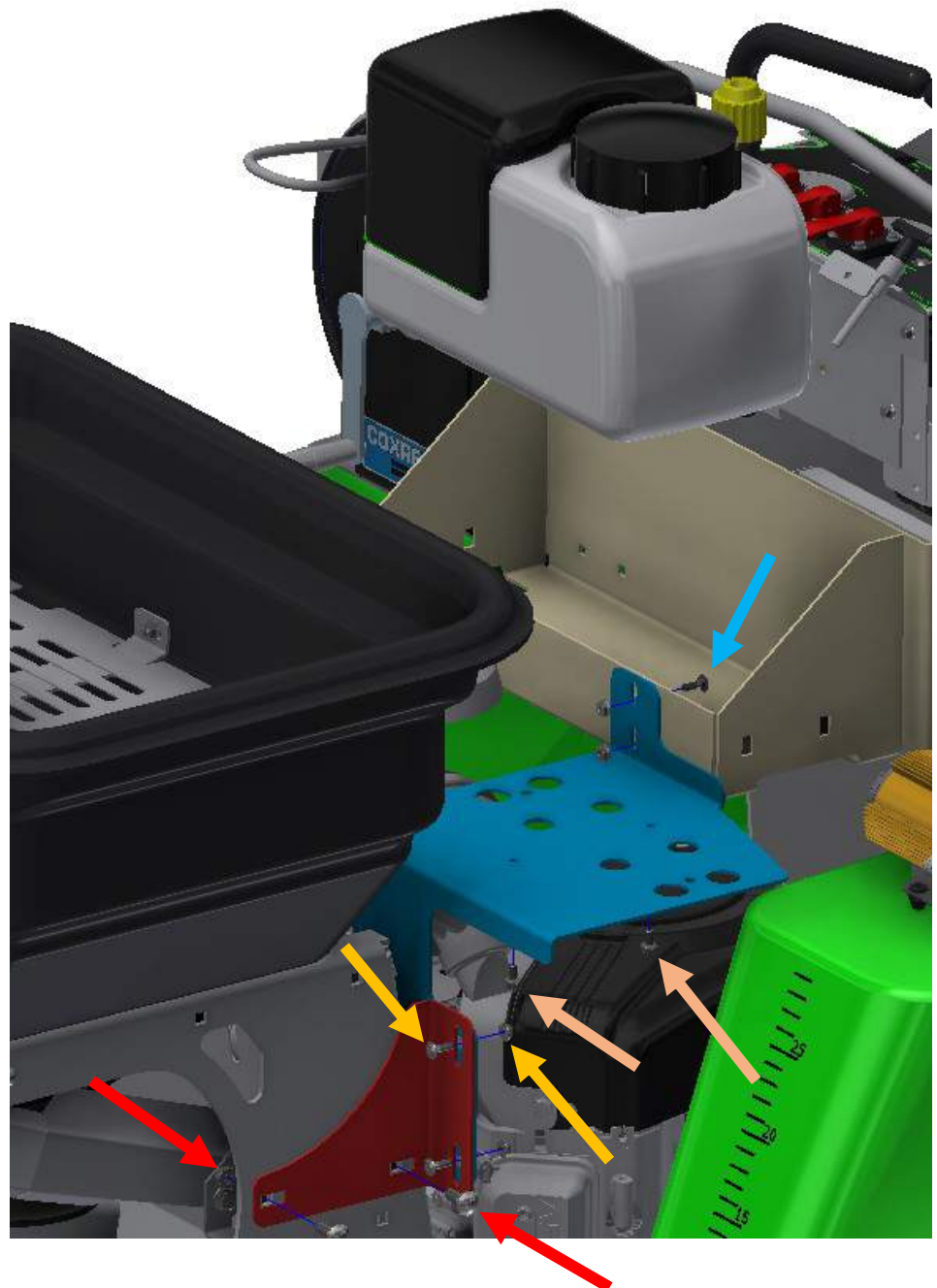
**STEP THREE:** Install the foam marker pump assembly.

Attachment points:

- (A) The hopper support bracket , “red arrows”.
- (B) The fuel tank support “blue arrow”.
- (C) The 2 gallon foam marker support brackets, “yellow arrows”.
- (D) Foam marker pump assembly, “orange arrow”.

Once the foam marker is installed, reinstall the fuel tank.

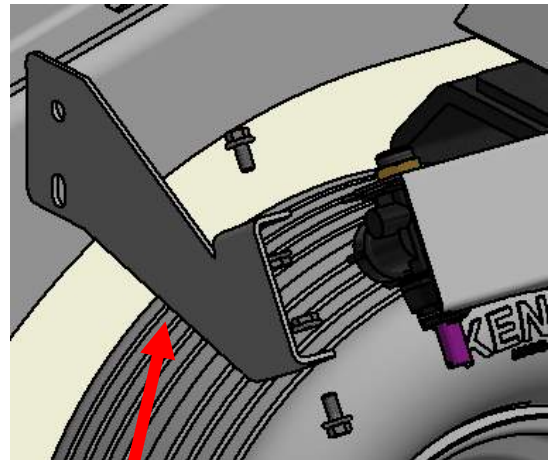
**NOTE:** Parts are shown in colors for clarity.



## 2 GAL. FOAM MARKER ASSEMBLY INSTRUCTIONS

**STEP FOUR:** Attach the foam marker bracket to the end of the boom.

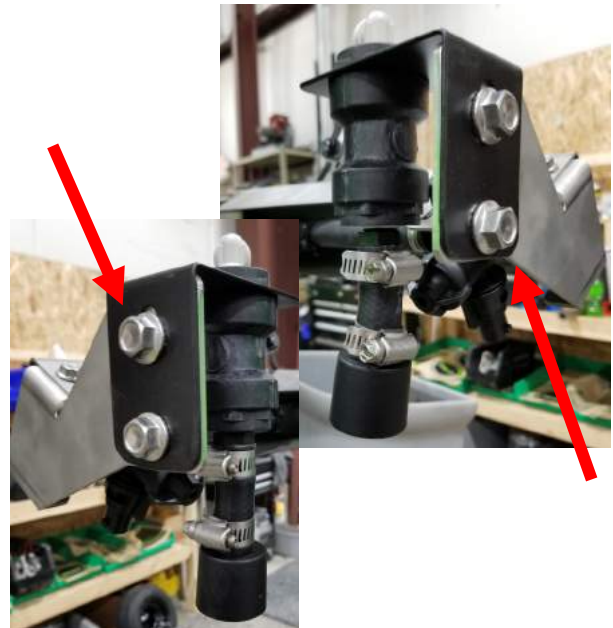
**NOTE:** Repeat step *four* for the other side of the boom, and the orientation of the bracket for left and right side.



RIGHT SIDE

**STEP FIVE:** Attach the foam marker assembly to the bracket.

**NOTE:** Repeat step *five* for the other side of the boom.



## 2 GAL. FOAM MARKER ASSEMBLY INSTRUCTIONS

### STEP SIX:

- Remove the plastic cap from “aux 3” in the panel and route the wiring harness down through the hole in the dash panel.
- Attach the “rocker switch” to the dash panel.

NOTE: *The long side of the rocker switch should face down.*

NOTE: Remove “L” bracket from the harness before installation.



**STEP SEVEN:** Continue to route the wiring harness down through the uprights attaching it with zip ties as necessary.



## 2 GAL. FOAM MARKER ASSEMBLY INSTRUCTIONS

**STEP EIGHT:** Connect the ground wire from the wiring harness to the up right cross member.



**STEP NINE:** Plug the pump power connector from the harness to the foam marker power connector.



**STEP TEN:** Reconnect the battery *power wire* first along with the *yellow power wire* from the wiring harness, and then reconnect the *ground wire*.



## 2 GAL. INDEPENDENT SPRAYER ASSEMBLY INSTRUCTIONS

### STEP ELEVEN:

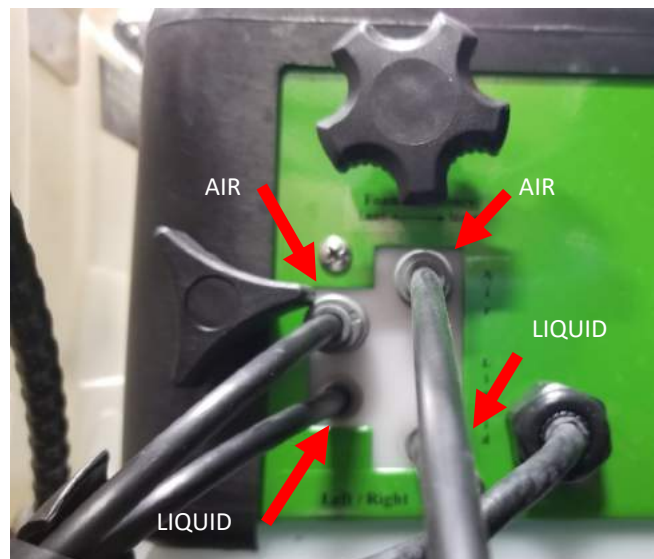
- Connect the “y” adapter assembly to the push lock elbow fitting on the foam marker.
- Using the supplied tubing and hose wrap, cut and route the tubing from the “y” adapter along the frame and up to the foam marker. Be sure to leave enough tubing for the boom to extend, fig. one.



Fig. One

- Connect the tubing to the foam marker, the top is air and the bottom is liquid for both left and right side.

NOTE: Repeat step eleven for the other side of the boom.







**MADE IN THE USA**

Steel Green Mfg.  
920 S State Road 39  
Lebanon, IN 46052  
(756)-481-2890  
[www.steelgreenmfg.com](http://www.steelgreenmfg.com)

SG52/46 KIT P10020