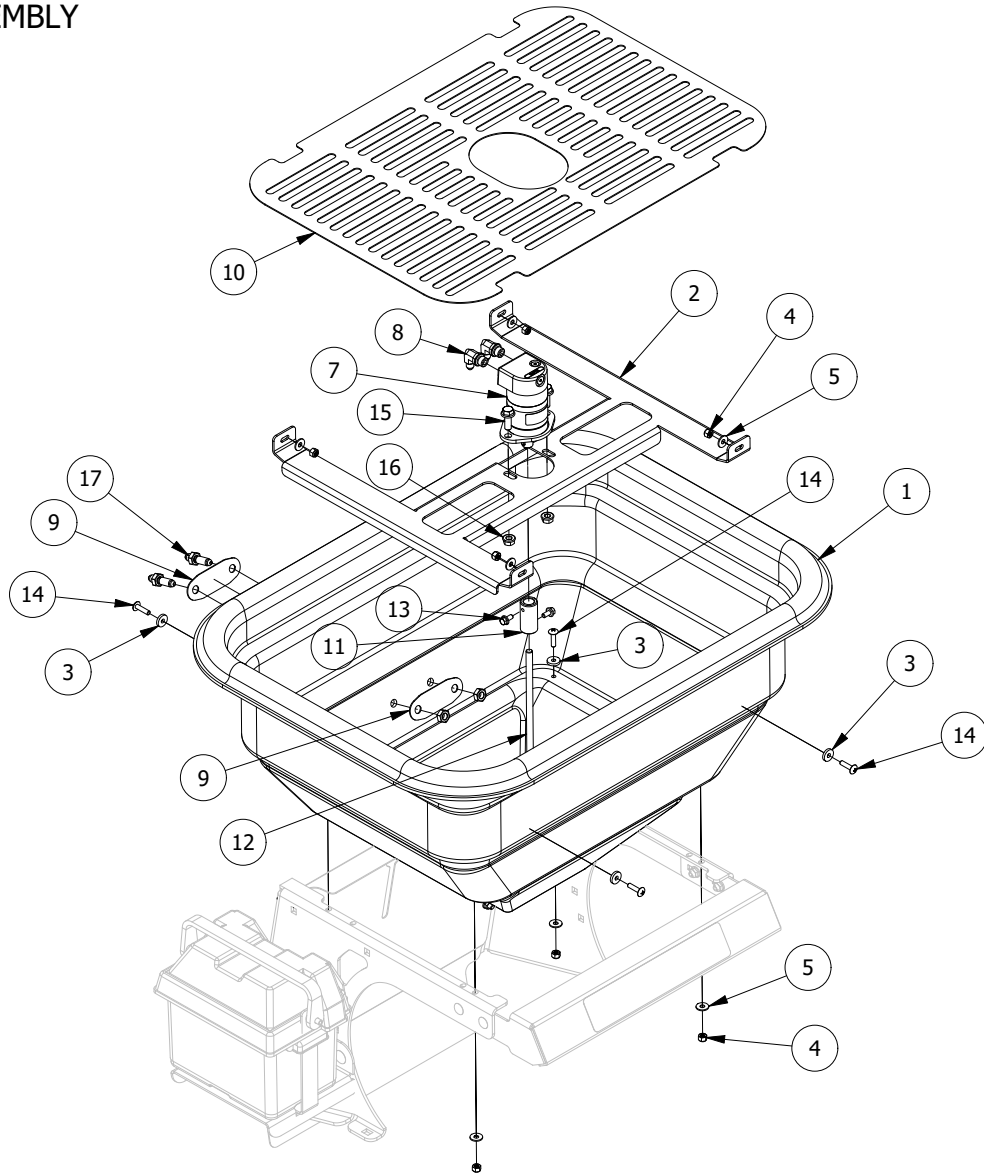


SG52, SG46
HOPPER ASSEMBLY



PARTS LIST

ITEM	QTY	PART NUMBER	DESCRIPTION
1	1	D70014	TUB, 220 HOPPER
2	1	R21-053	BRACKET, 220 HOPPER MOTOR
3	8	NFW-14B	WASHER, PLASTIC
4	12	SSNNC-14	NYLOCK, SS - 1/4-20
5	8	FWSS-14	FLAT WASHER, SS - 1/4
7	1	H81441	MOTOR, HOPPER
8	2	H84000-L	FITTING, HOPPER MOTOR
9	2	R21-046	PLATE, HOPPER HOSE FITTING
10	1	R21-054	SCREEN, 220 HOPPER
11	1	R31011	COUPLER, HOPPER MOTOR
12	1	R31009	SHAFT, HOPPER MOTOR
13	2	HFSSC-145	HEX FLANGE BOLT, SS - 1/4-20 x 1/2
14	8	TRPC-141S	PHILLIPS PAN HEAD MACHINE SCREW, SS - 1/4-20 x 1
15	2	HFSSC-381	HEX FLANGE BOLT, SS - 3/8-16 x 1
16	2	HFNCS-38S	HEX FLANGE NUT - 3/8-16
17	2	H84020	FITTING, HOPPER BULK HEAD