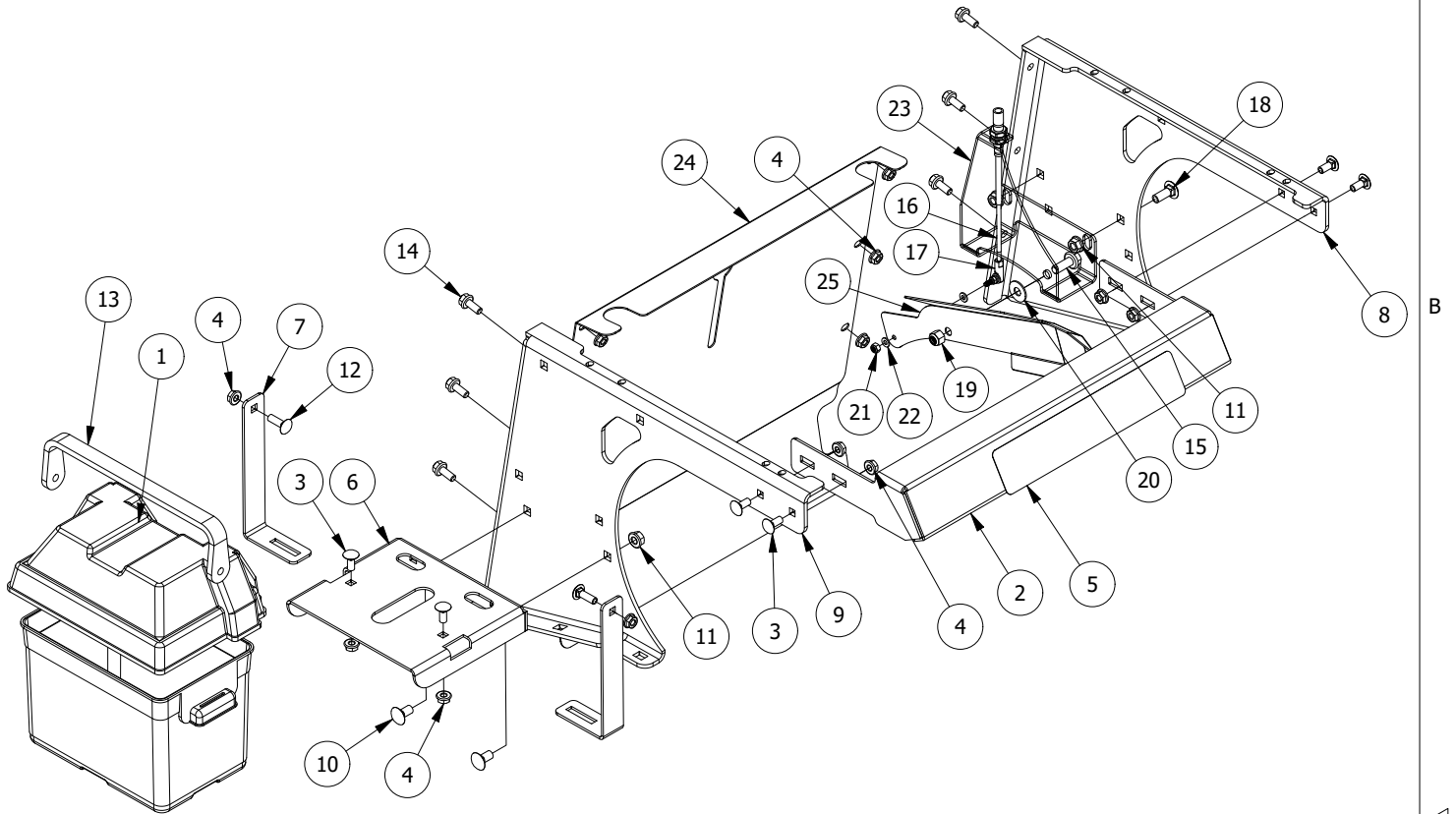


SG52, SG46 HOPPER ASSEMBLY



PARTS LIST

ITEM	QTY	PART NUMBER	DESCRIPTION
1	1	E40002	BATTERY BOX
2	1	R21-044	BUMPER
3	6	CB-51634	CARRIAGE BOLT, SS - 5/16-18 x 3/4
4	14	HFNC5-516S	HEX FLANGE NUT, SS - 5/16-18
5	1	C60321	DECAL, STEEL GREEN
6	1	R21-041	TRAY, BATTERY
7	2	R21-042	BRACKET, BATTERY STRAP
8	1	W21-043-L	FRAME, LEFT HOPPER
9	1	W21-043-R	RAME, RIGHT HOPPER
10	2	CB-3834SS	CARRIAGE BOLT, SS - 3/8-16 x 3/4
11	6	HFNC5-38S	HEX FLANGE NUT - 3/8-16
12	2	CB-5161SS	CARRIAGE BOLT, SS - 5/16-18 x 1
13	1	TSR-10	STRAP, BATTERY
14	6	HFSSC-51634	HEX FLANGE BOLT, SS - 5/16-18 x 3/4
15	3	HFSSC-381	HEX FLANGE BOLT, SS - 3/8-16 x 1
16	1	D71016	CABLE, SIDE DEFLECTOR/DIFFUSER
17	1	D71005	BALL JOINT
18	2	CB-381SS	CARRIAGE BOLT, SS - 3/8-16 x 1
19	1	SSNNC-38	NYLOCK, SS - 3/8-16
20	1	FWSS-38	FLAT WASHER, SS - 3/8
21	1	SSNNC-10	NYLOCK, SS - 10-32
22	2	FSW-10	FLAT WASHER, SS - 10
23	1	R21-110	
24	1	R21-045-01	BACKSHIELD, HOPPER
25	1	R21-109	SIDE DEFLECTOR