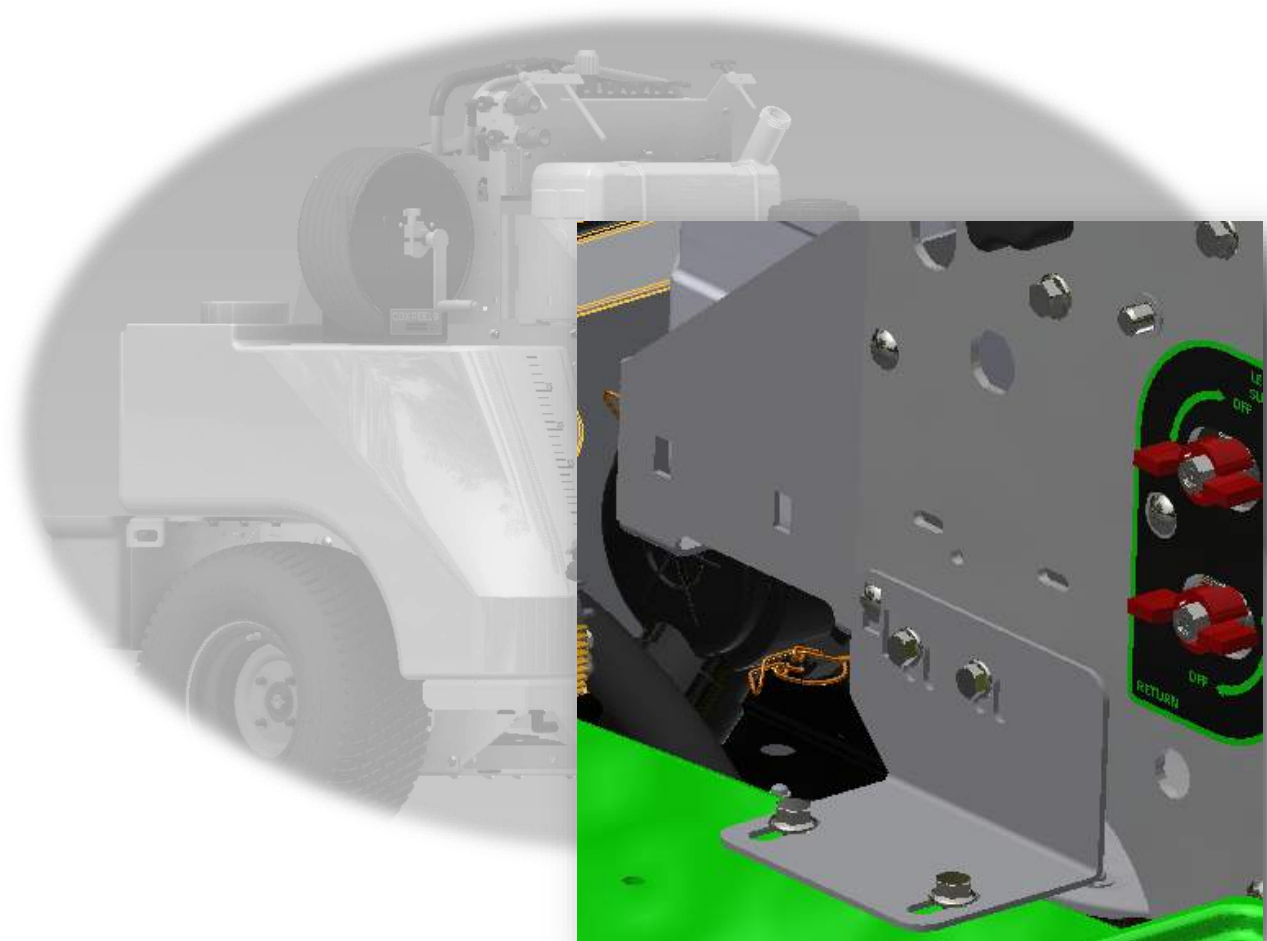


## INSTRUCTION MANUAL

### SG52 VIBRATION BRACKET INSTRUCTIONS



#### PLEASE NOTE

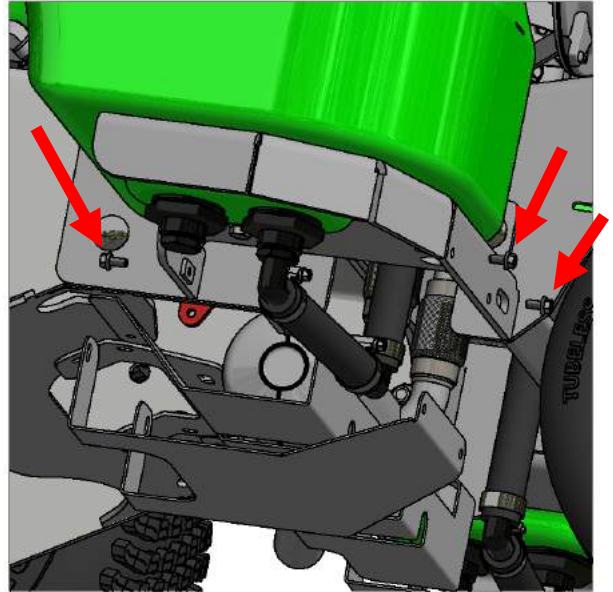
*The supplied vibration brackets **MUST** be installed or warranty will be void.*



## SG52 VIBRATION BRACKET INSTRUCTIONS

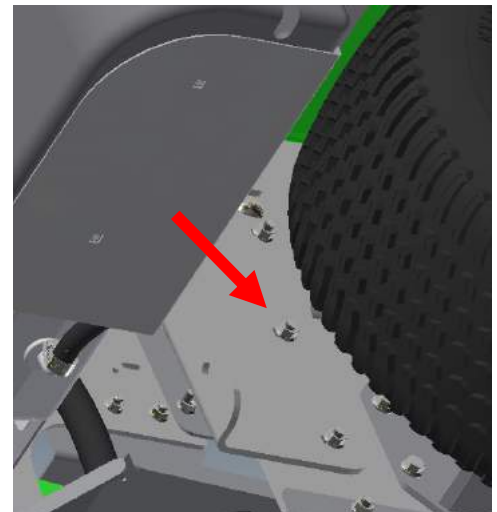
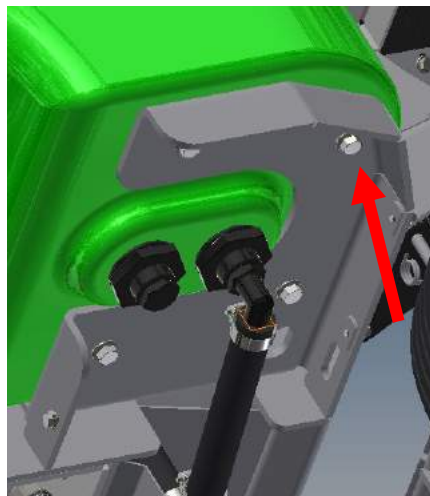
**NOTE:** Instructions are the same for both right & left sides.

**STEP ONE:** Remove the safety shield from the tank support.



**STEP TWO:** Loosen the four tank bolts on the front & 3 tank bolts on the rear, *do not completely remove the bolts.*

**NOTE:** If necessary, remove the rear tire for easier access.



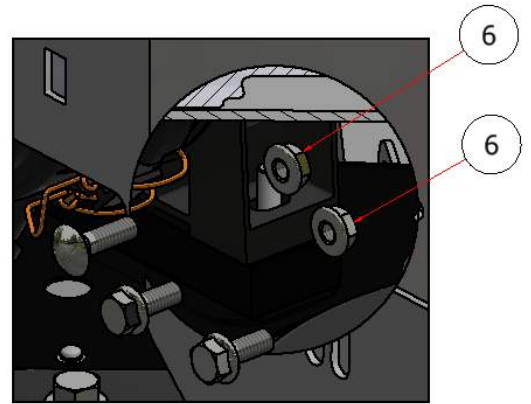
VIBRATION BRACKET KIT			
ITEM	PART NUMBER	QTY.	DESCRIPTION
1	R21-166	1	VIBRATION BRACKET
2	R21-166-L	1	VIBRATION BRACKET, LEFT
3	HFSSC-3813	4	HEX BOLT, 3/8" X 3/4"
4	HFSSC-51675	4	HEX BOLT, 5/16" X 3/4"
5	CB-3751SS	2	CARRIAGE BOLT, 3/8 X 1
6	HFNCS-516S	4	HEX NUT, 5/16

# SG52 VIBRATION BRACKET INSTRUCTIONS

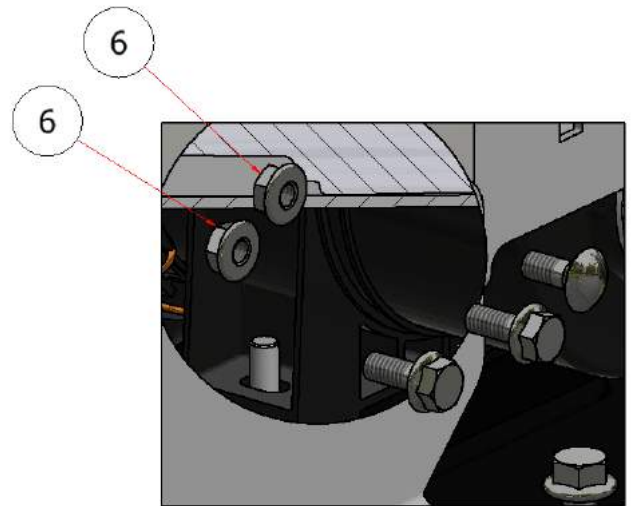
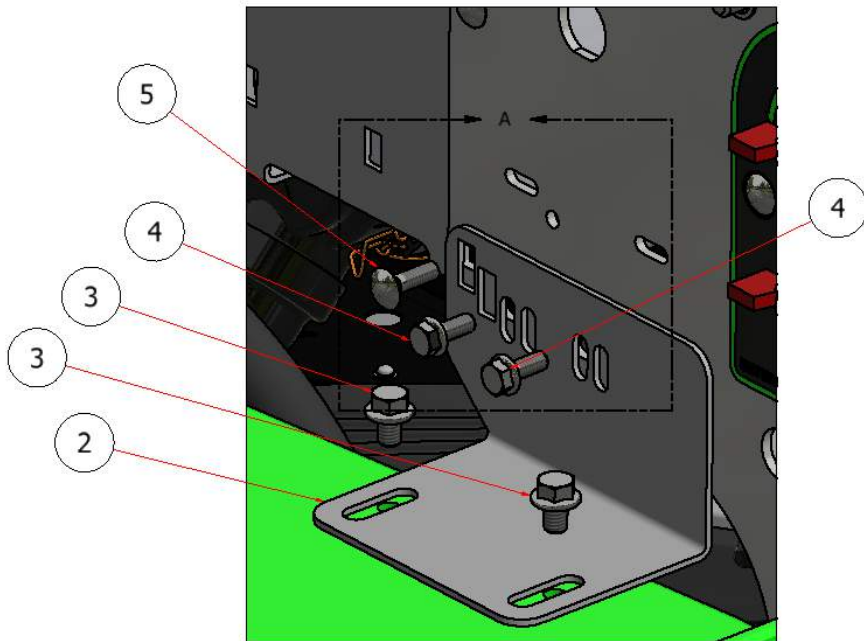
**STEP THREE:** Install the vibration brackets.

**NOTE:** The tanks should be loose from step two and able to move for proper alignment with the brackets.

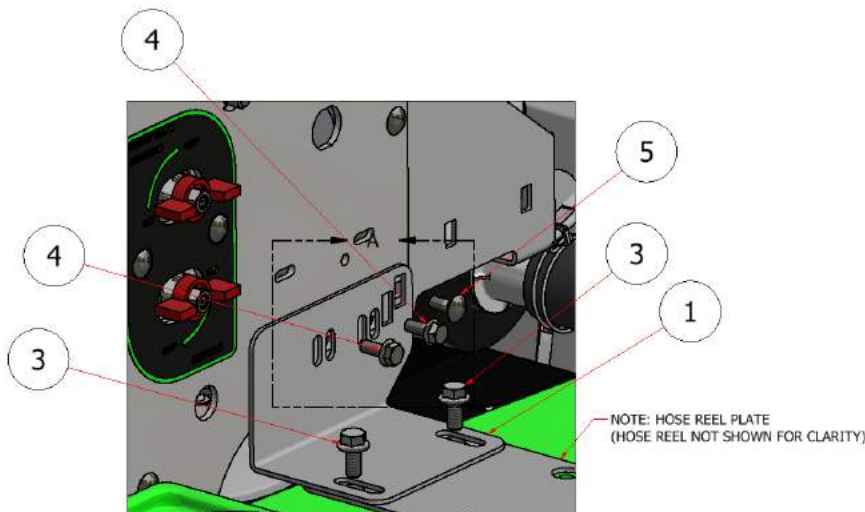
## LEFT SIDE



DETAIL A



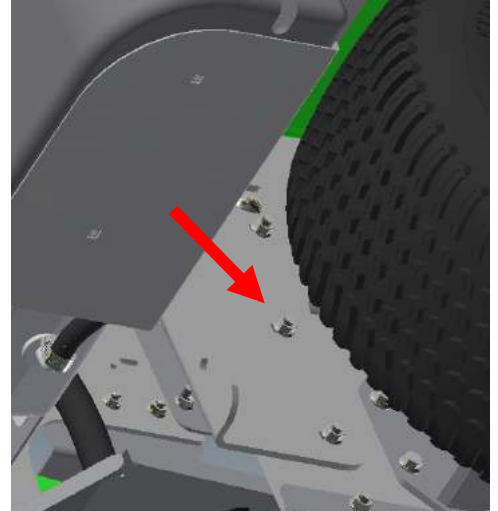
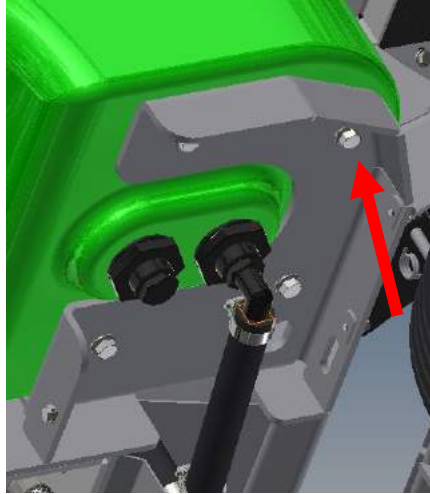
DETAIL A



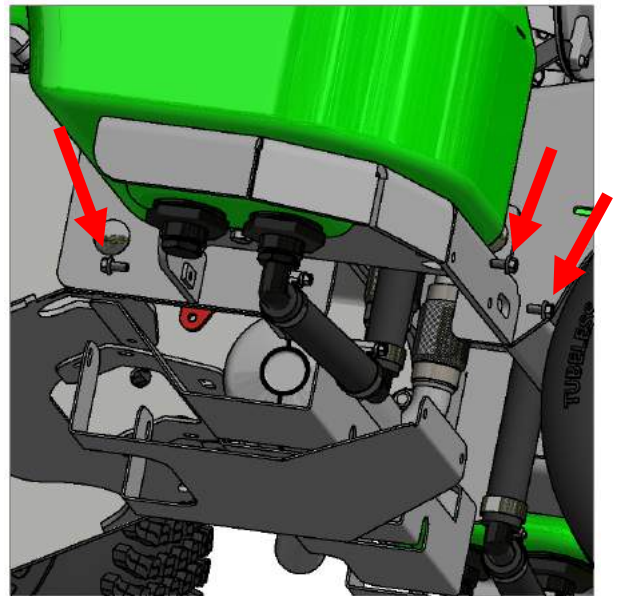
## RIGHT SIDE

## SG52 VIBRATION BRACKET INSTRUCTIONS

**STEP FOUR:** Tighten the four tank bolts on the front & 3 tank bolts on the rear.



**STEP FIVE:** Reattach the safety shield to the tank support.



Steel Green Mfg.  
920 S State Road 39  
Lebanon, IN 46052  
(756)-481-2890  
[www.steelgreenmfg.com](http://www.steelgreenmfg.com)