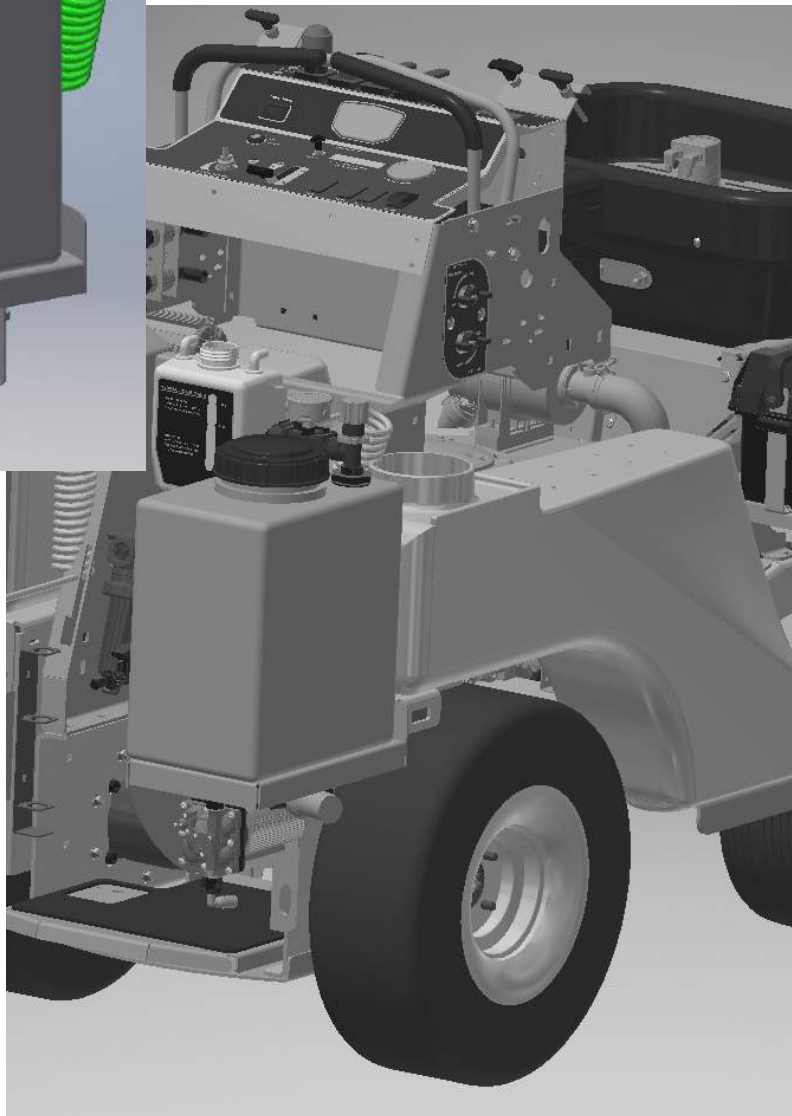
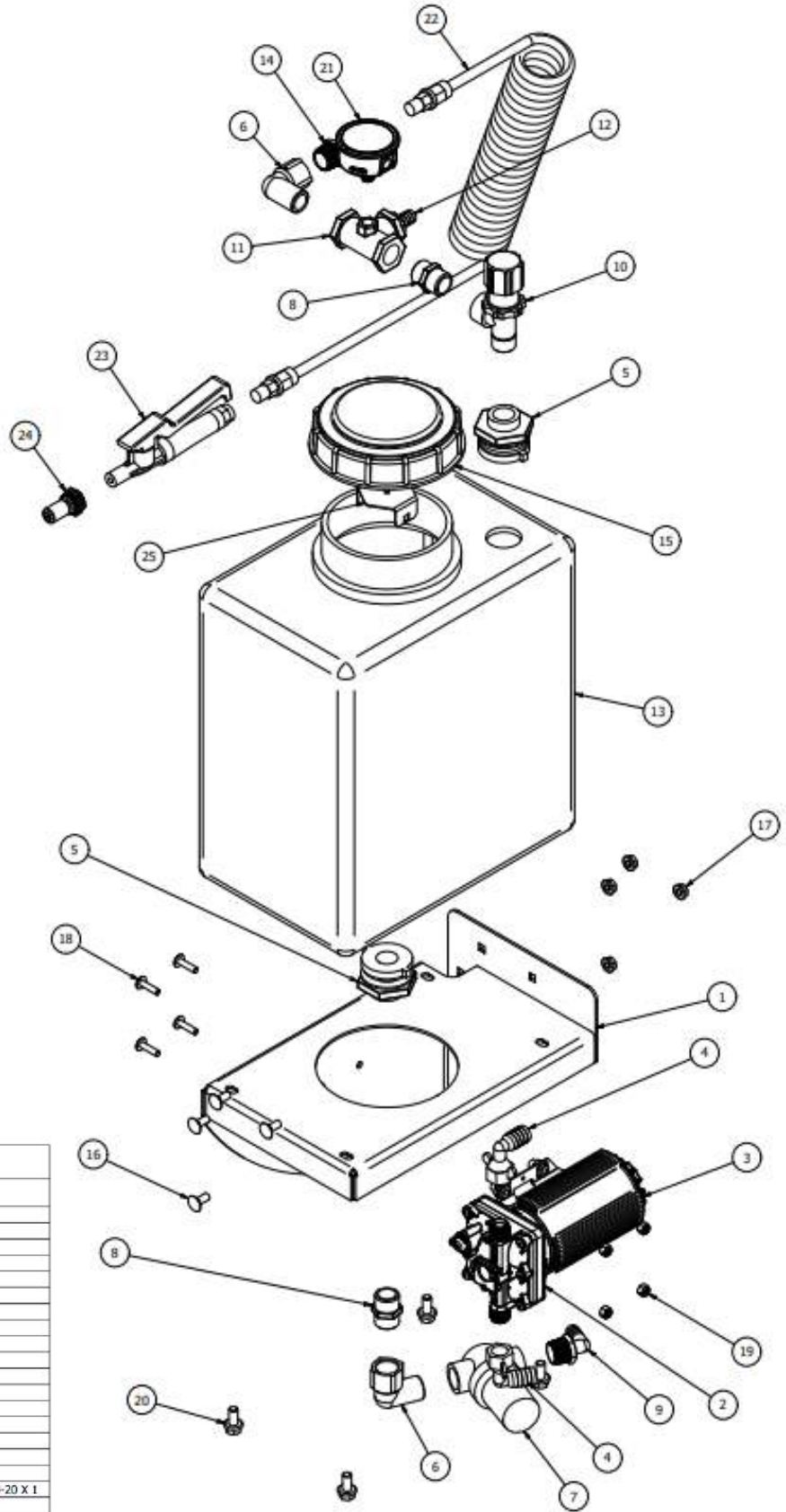


INSTALLATION MANUAL

7 GAL. INDEPENDENT SPRAYER SG42\36

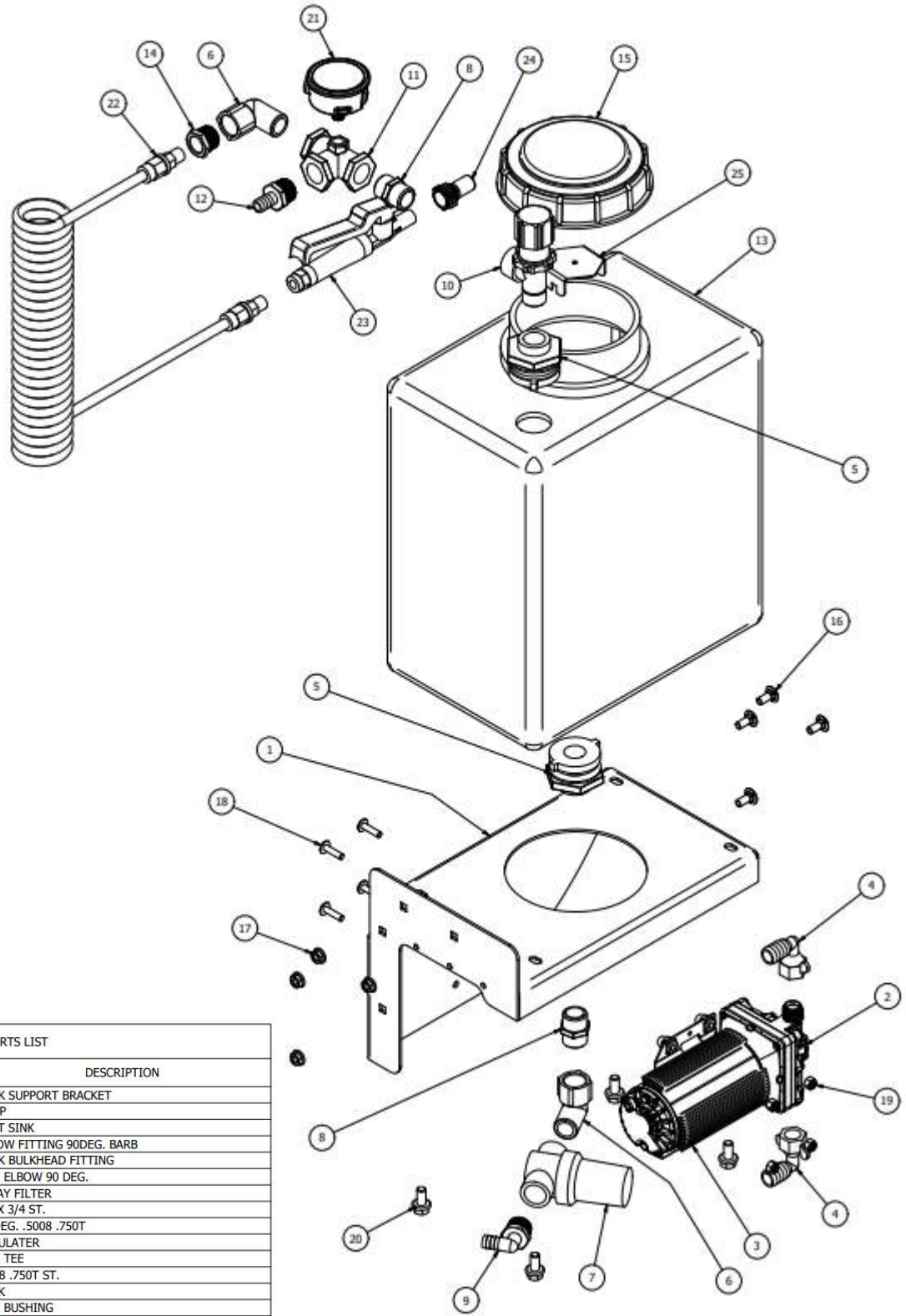


7 GAL. INDEPENDENT SPRAYER EXPLODED VIEW \ RIGHT SIDE



PARTS LIST			
ITEM	QTY	PART NUMBER	DESCRIPTION
1	1	R22-009-R	TANK SUPPORT BRACKET
2	1	S54000	PUMP
3	1	S54120	HEAT SINK
4	2	S54103	ELBOW FITTING 90DEG. BARB
5	2	S51242	TANK BULKHEAD FITTING
6	2	S52041	PIPE ELBOW 90 DEG.
7	1	S51270	SPRAY FILTER
8	2	S52063	3/4 X 3/4 ST.
9	1	S52028	90 DEG. .5008 .750T
10	1	S51283	REGULATOR
11	1	S52001	PIPE TEE
12	1	S52016	.5008 .750T ST.
13	1	M1007	TANK
14	4	S52051	PIPE BUSHING
15	4	S51243	TANK CAP
16	4	CB-51634	CARRIAGE BOLT, SS-5/16-18 X 3/4
17	4	HFVCS-516S	HEX FLANGE NUT, SS-5/16-18
18	4	TRPC-141S	PHILLIPS PAN HEAD MACHINE SCREW, SS-1/4-20 X 1
19	1	SSNNC-14	NYLOCK, SS-1/4-20
20	1	HFSSC-2875	HEX FLANGE SCREW 3/8-16 X 3/4
21	1	S51234-D	GAUGE 60 PSI
22	1	S53019	15' COIL HOSE
23	1	S51260	SPRAY GUN
24	1	S51261	SPRAY GUN TIP
25	1	R21-113	ANTI VORTEX PLATE

7 GAL. INDEPENDENT SPRAYER EXPLODED VIEW \ LEFT SIDE

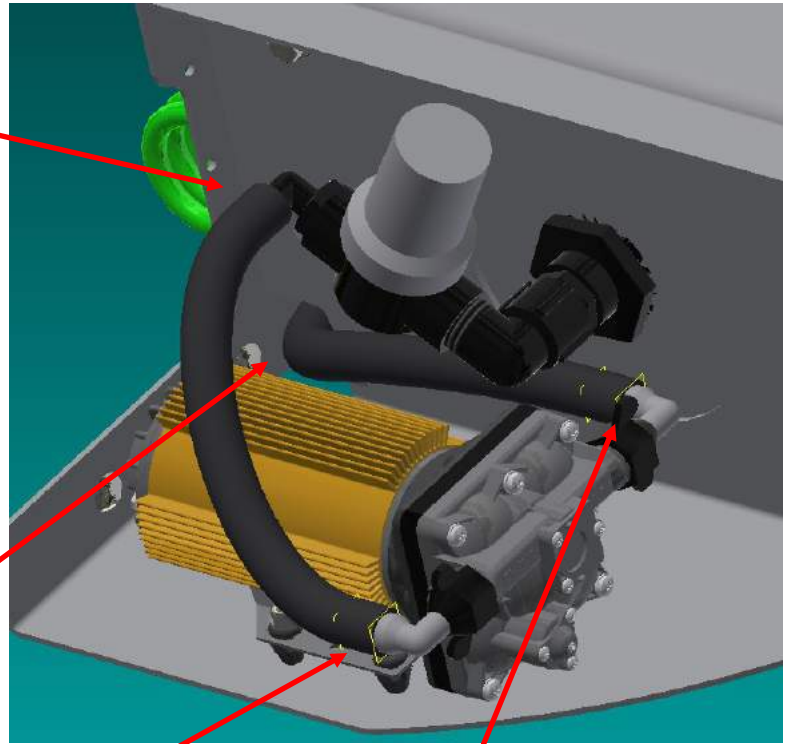


PARTS LIST

ITEM	QTY	PART NUMBER	DESCRIPTION
1	1	R22-009	TANK SUPPORT BRACKET
2	1	S54000	PUMP
3	1	S54120	HEAT SINK
4	2	S54103	ELBOW FITTING 90DEG. BARB
5	2	S51242	TANK BULKHEAD FITTING
6	2	S52041	PIPE ELBOW 90 DEG.
7	1	S51270	SPRAY FILTER
8	2	S52063	3/4 X 3/4 ST.
9	1	S52028	90 DEG. .5008 .750T
10	1	S51283	REGULATOR
11	1	S52001	PIPE TEE
12	1	S52016	.5008 .750T ST.
13	1	M1007	TANK
14	4	S52051	PIPE BUSHING
15	4	S51243	TANK CAP
16	4	CB-51634	CARRIAGE BOLT,SS-5/16-18 X 3/4
17	4	HFNC5-5165	HEX FLANGE NUT, SS-5/16-18
18	4	TRPC-1415	PHILLIPS PAN HEAD MACHINE SCREW, SS-1/4-20 X 1
19	1	SSNNC-14	NYLOCK, SS-1/4-20
20	1	HFSSC-2875	HEX FLANGE SCREW 3/8-16 X 3/4
21	1	S51234-D	GUAGE 60 PSI
22	1	S53019	15' COIL HOSE
23	1	S51260	SPRAY GUN
24	1	S51261	SPRAY GUN TIP
25	1	R21-113	ANTI VORTEX PLATE

7 GAL. INDEPENDENT HOSE ROUTING

TANK SUCTION



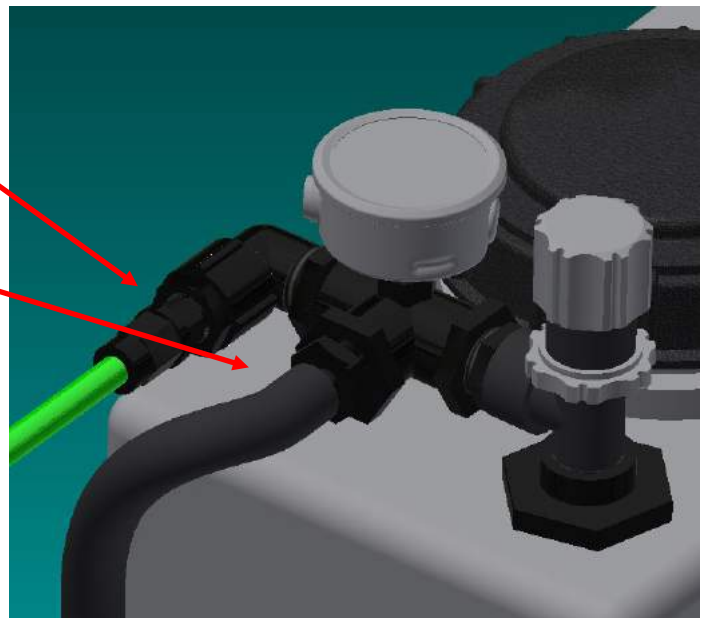
NOTE: *The return hose is routed through the opening in the bracket.*

PUMP "INLET" (SUCTION)

PUMP "OUTLET"

COIL SPRAY HOSE

RETURN HOSE FROM THE PUMP



7 GAL. INDEPENDENT SPRAYER ASSEMBLY INSTRUCTIONS

STEP ONE: Disconnect the battery, *ground* first and then *power* wire.

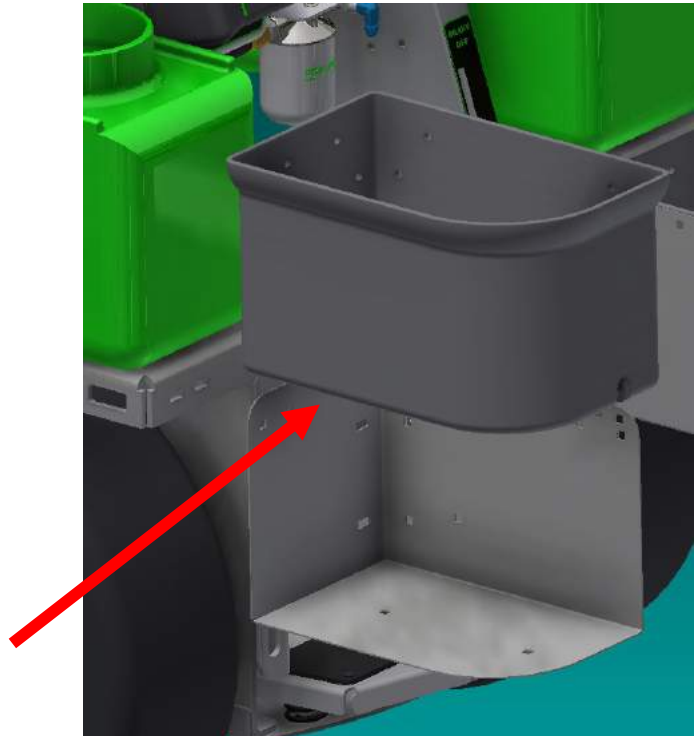


GROUND

POWER

STEP TWO: Remove existing storage container and support bracket from the frame.

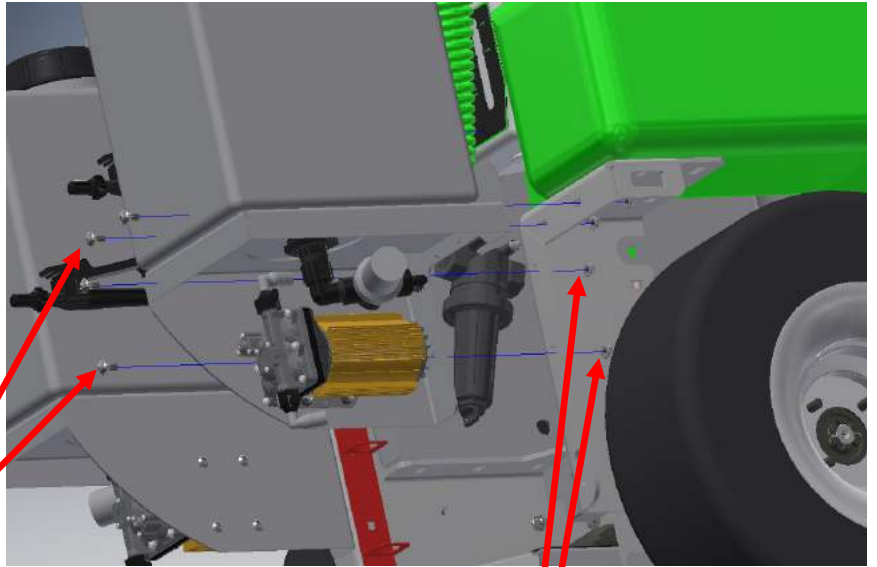
NOTE: *Instructions are the same for the right and left side.*



7 GAL. INDEPENDENT SPRAYER ASSEMBLY INSTRUCTIONS

STEP THREE: Install the independent sprayer to the frame as shown.

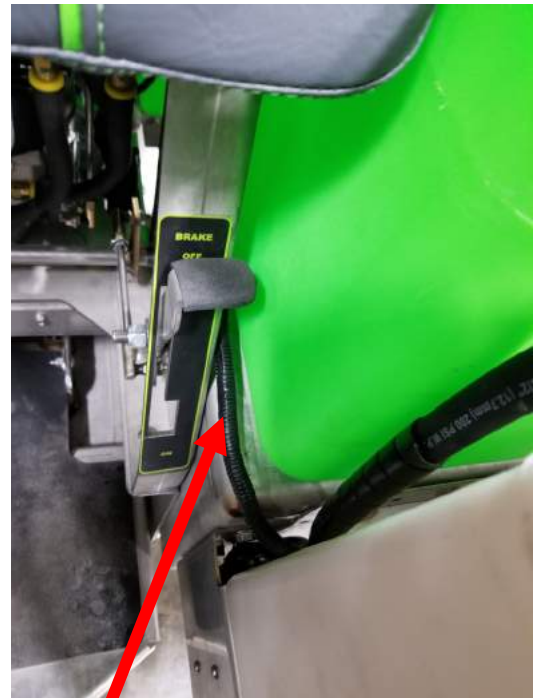
NOTE: *Instructions are the same for the right and left side.*



Carriage bolts CB-51634 qty. (4)

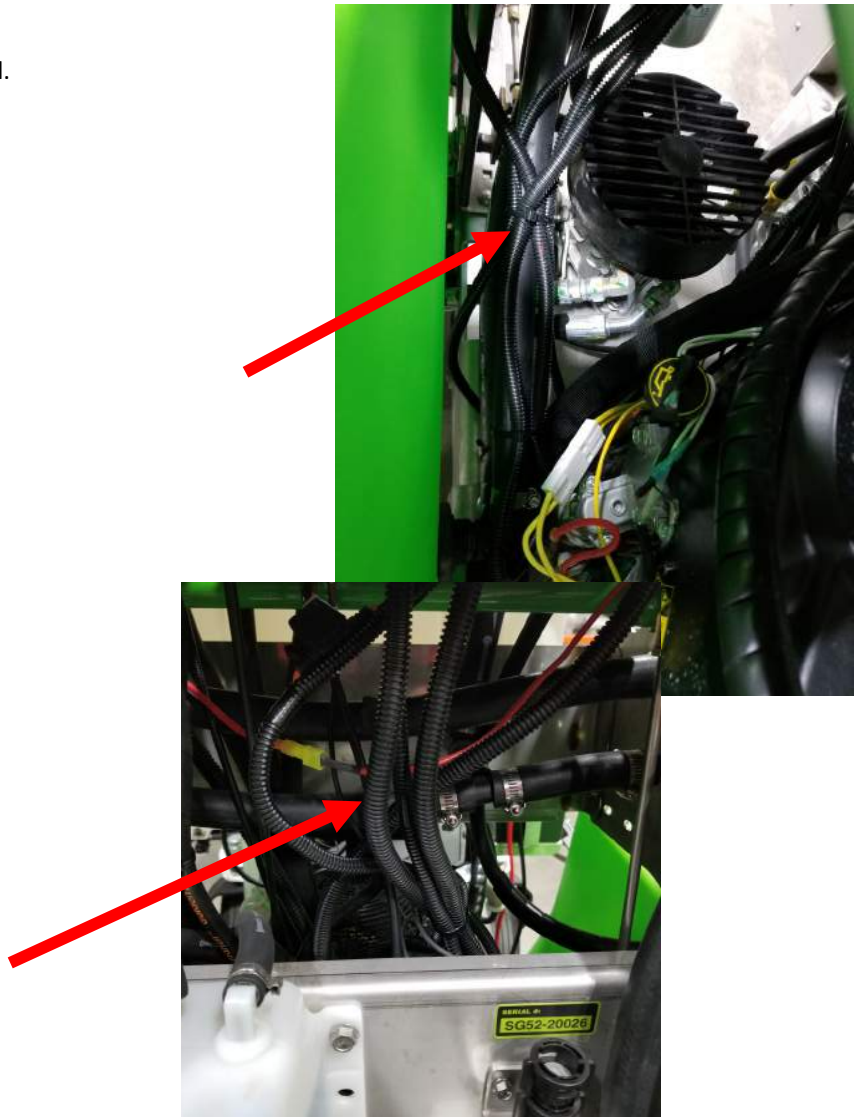
Hex nuts HFNCS-516S qty. (4)

STEP FOUR: Connect the “pump” wiring harness to the pump plug and route the harness between the tank and upright.

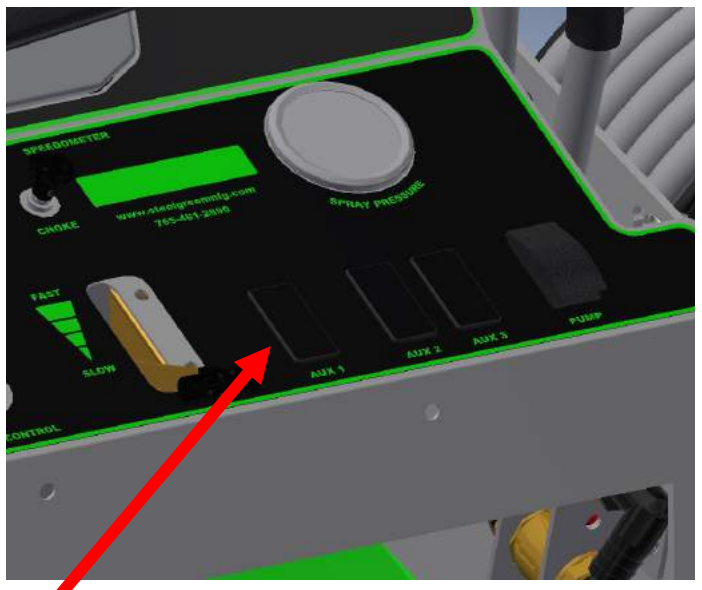


7 GAL. INDEPENDENT SPRAYER ASSEMBLY INSTRUCTIONS

STEP FIVE: Route the “pump” wiring harness along the frame and upright to the control panel.



STEP SIX: Remove the plastic cap from “Aux 1” in the panel and route the switch connector of the “pump” wiring harness through the hole in the panel.



7 GAL. INDEPENDENT SPRAYER ASSEMBLY INSTRUCTIONS

STEP SEVEN: Connect the “pump” wiring harness to the “20A” side of the rocker switch.



STEP EIGHT: Connect the ground wire from the “pump” wiring harness to the up right cross member.



7 GAL. INDEPENDENT SPRAYER ASSEMBLY INSTRUCTIONS

STEP NINE: Connect the “pump power” wiring harness to the other side of the rocker switch.



STEP TEN: Install the rocker switch in the control panel and route the “pump power” wiring harness down the up right, along the frame to the battery.



7 GAL. INDEPENDENT SPRAYER ASSEMBLY INSTRUCTIONS

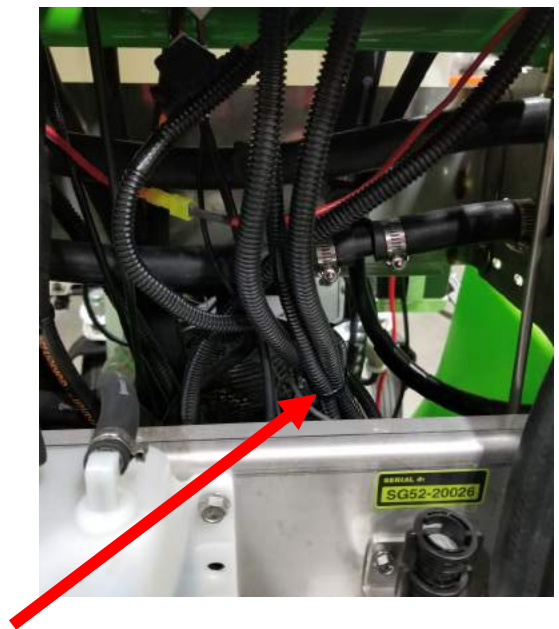
STEP ELEVEN: Reconnect the battery *power wire* first along with the *pump power wire* from the wiring harness, and then reconnect the *ground* wire.



GROUND

POWER

STEP TWELVE: Once both harnesses are routed and connected, securely fasten them to the frame and existing harnesses in the up right with zip ties.





MADE IN THE USA

Steel Green Mfg.
920 S State Road 39
Lebanon, IN 46052
(756)-481-2890
www.steelgreenmfg.com

SG42\36 KIT P10031