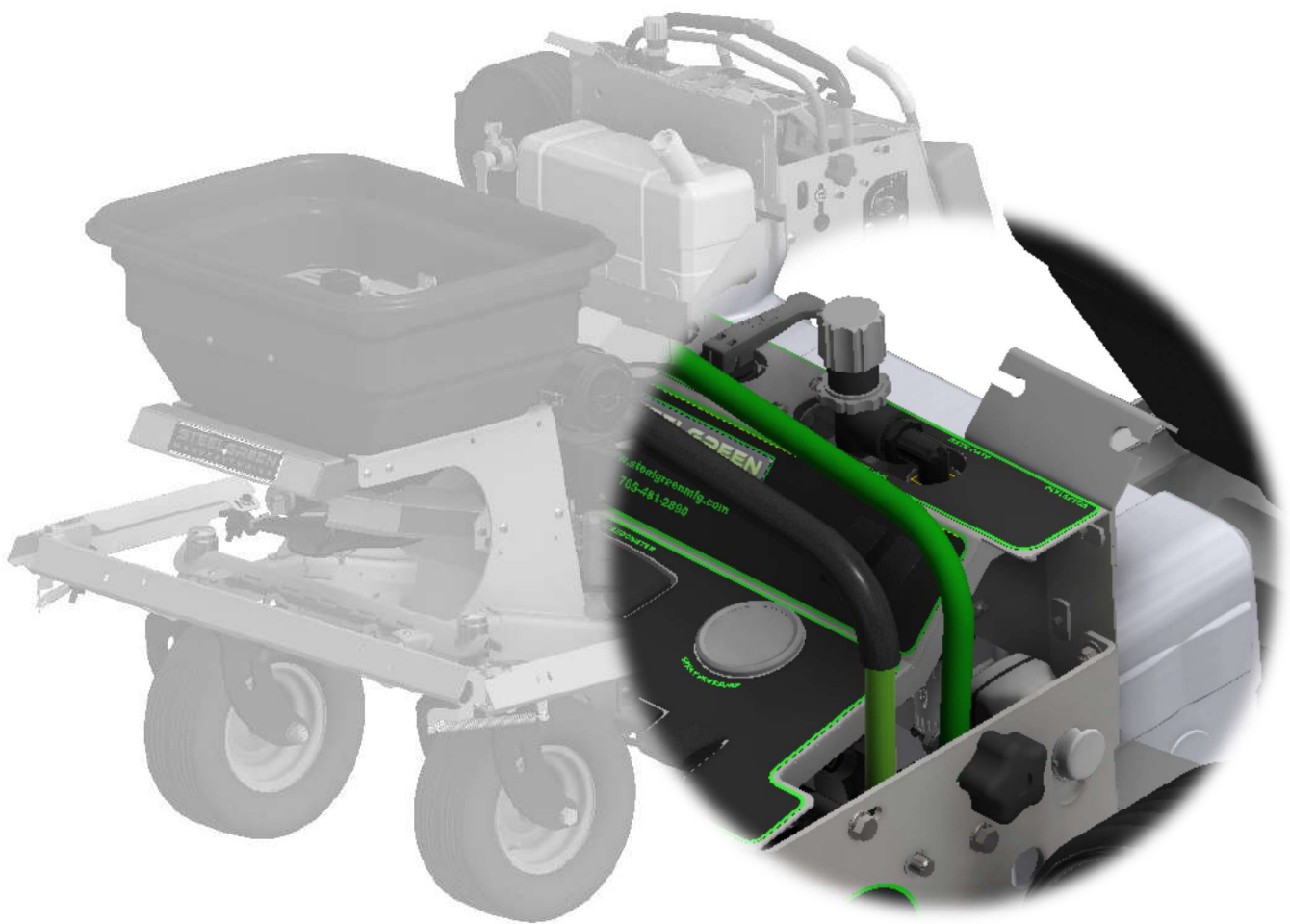




INSTRUCTION MANUAL

PRESSURE CONTROL SYSTEM

Models: SG36, SG42, SG46, & SG52



PRESSURE CONTROL SYSTEM KIT



RATE CONTROL KIT A10058			
ITEM	QTY.	PART NUMBER	DESCRIPTION
1	1	C60362	PRIME DECAL
2	1	C60363	PRESS + DECAL
3	1	C60364	PRESS - DECAL
4	1	E40202-3 WAY	SWITCH, PUMP ROCKER 3 Way
5	1	E40202-40	SWITCH, PUMP ROCKER 40 AMP
6	1	S52004	TEE, 1/4 BARB X 1/4 NPT F
7	1	S54019	KZ VALVE TX2
8	1	S54020	PID LOOP PRESSURE CONTROLLER
9	1	S54034	PRESSURE SENSOR
10	1	SG-FC	FLOW CONTROL PIGTAIL
11	2	HFSSC-1012	HEX BOLT, #10 X 1/2
12	2	HFNCS-10S	HEX NUT, #10

PRESSURE CONTROL SYSTEM ASSEMBLY INSTRUCTIONS

CAUTION!

Before attempting any of the following steps, be sure there is no pressure on the spray system and tanks are drained.

STEP ONE: Disconnect the battery, *ground* first and then *power* wire.



GROUND

POWER

STEP TWO:

- Squeeze the hose clamp and slide it back.
- Disconnect both fuel lines.
- Remove the fuel tank.

ENGINE SUPPLY LINE

PRESSURE RELIEF

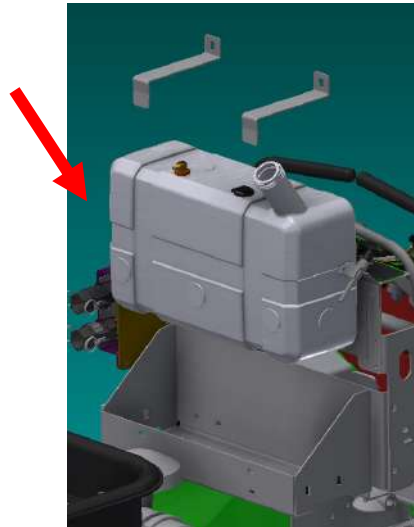


CAUTION!

- Beware of excess fuel in the lines.
- Fuel spillage.

WARNING!

- Flammable gas.

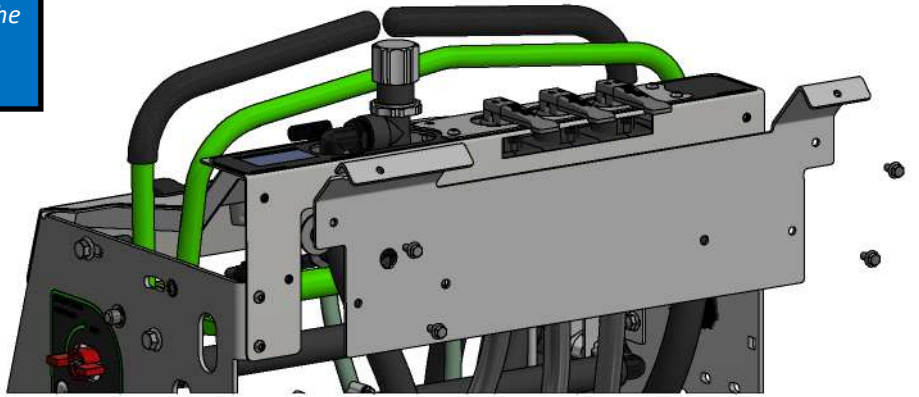


PRESSURE CONTROL SYSTEM ASSEMBLY INSTRUCTIONS

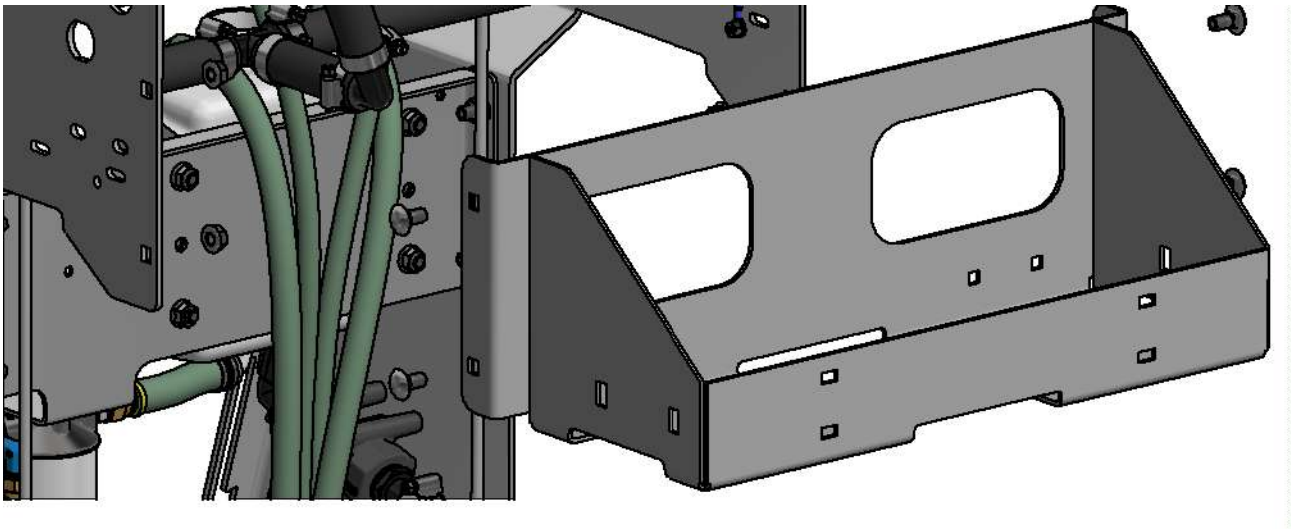
STEP THREE:

- Remove the upper panel.

NOTE: *It may not be necessary to remove the hopper controls. Once the panel is free, lay the whole assembly over the hopper.*



- Remove the fuel tank support.

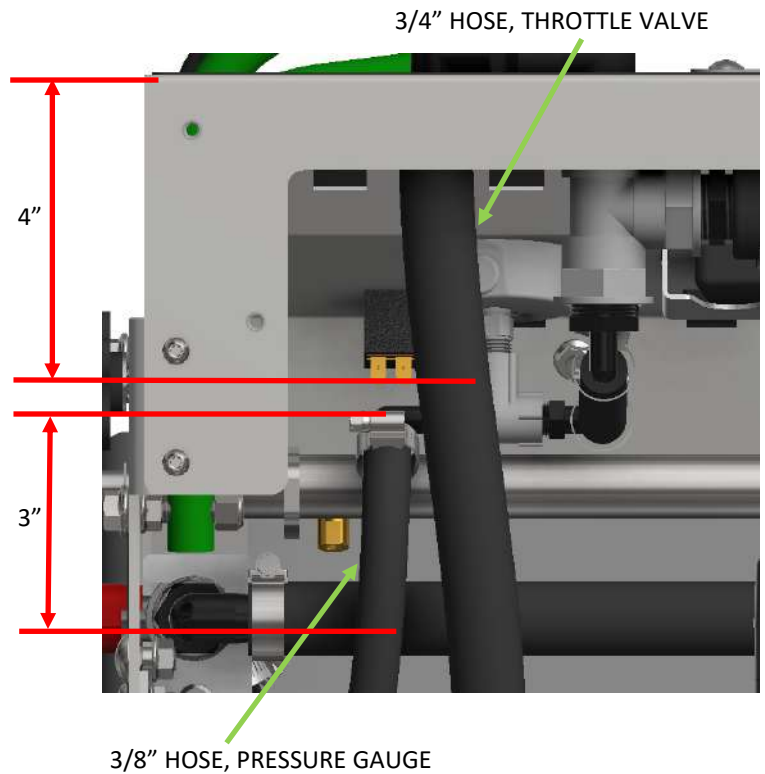


PRESSURE CONTROL SYSTEM ASSEMBLY INSTRUCTIONS

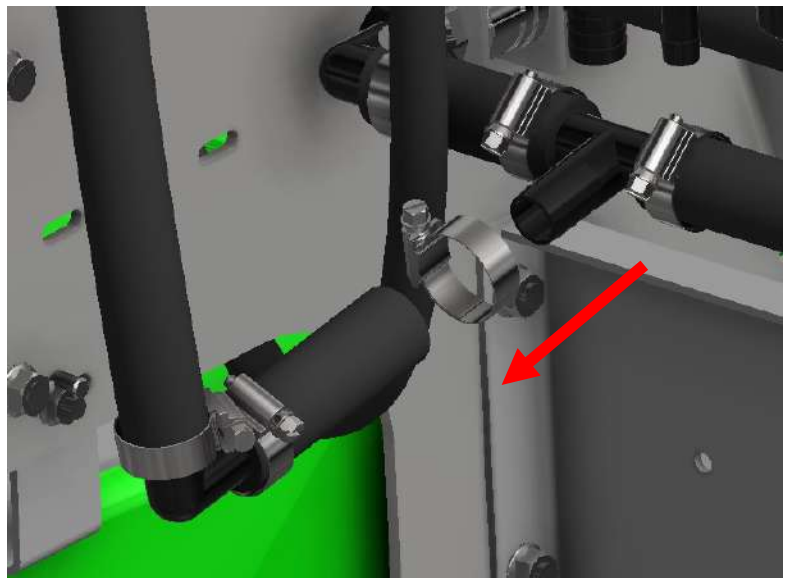
STEP FOUR:

- Locate the 3/4" hose connected to the throttle control valve and return hose.
- Cut the hose 4" from the top end.
- Locate the 3/8" hose from the pressure gauge "tee fitting" to the hose reel.
- Cut the 3/8" hose 3" from the "elbow fitting".

NOTE: *Optional cutting method: Disconnect the hoses, cut the length off the end and reconnect the cut hose pieces.*



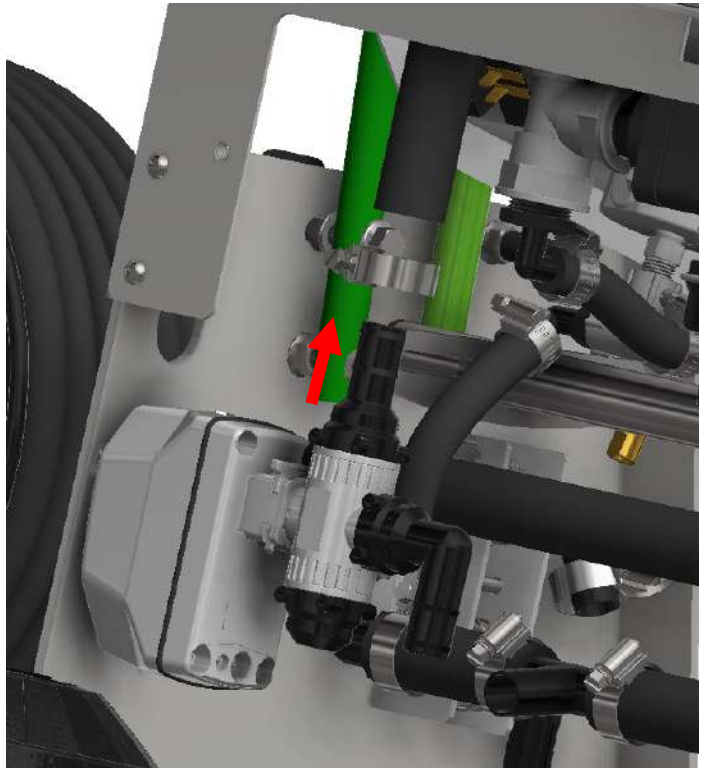
- Loosen the hose clamp and remove the lower portion of the hose assy.



PRESSURE CONTROL SYSTEM ASSEMBLY INSTRUCTIONS

STEP FIVE:

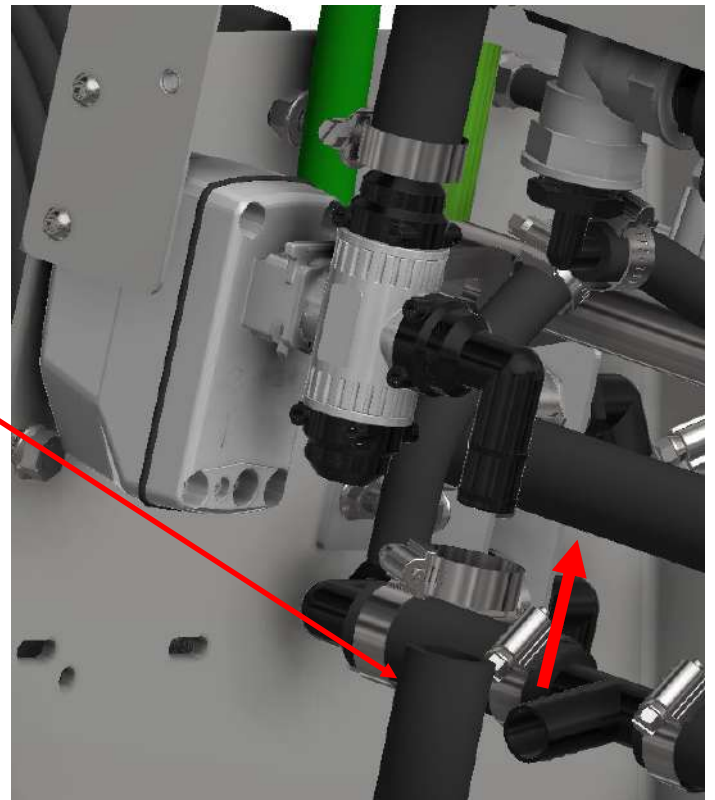
- Connect the KZ valve assembly to the throttle valve hose as shown (S54019).
- Securely fasten the valve assembly with the hose clamp.



STEP SIX:

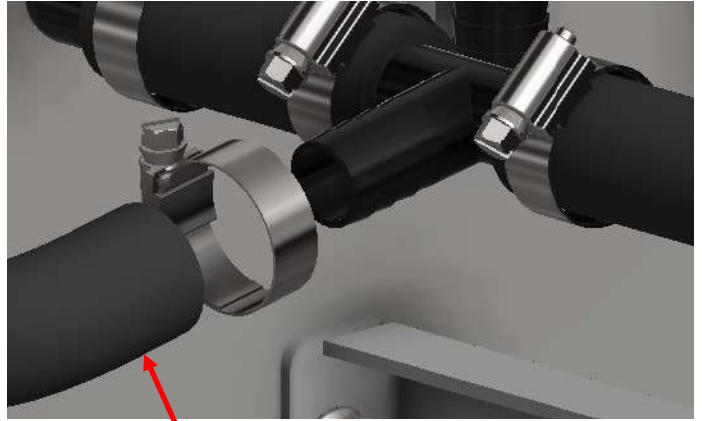
- Cut 8" of the 3/4" hose from the removed portion.
- Connect one end to the elbow fitting on the KZ valve.
- Securely fasten with 3/4" hose clamp.

A



PRESSURE CONTROL SYSTEM ASSEMBLY INSTRUCTIONS

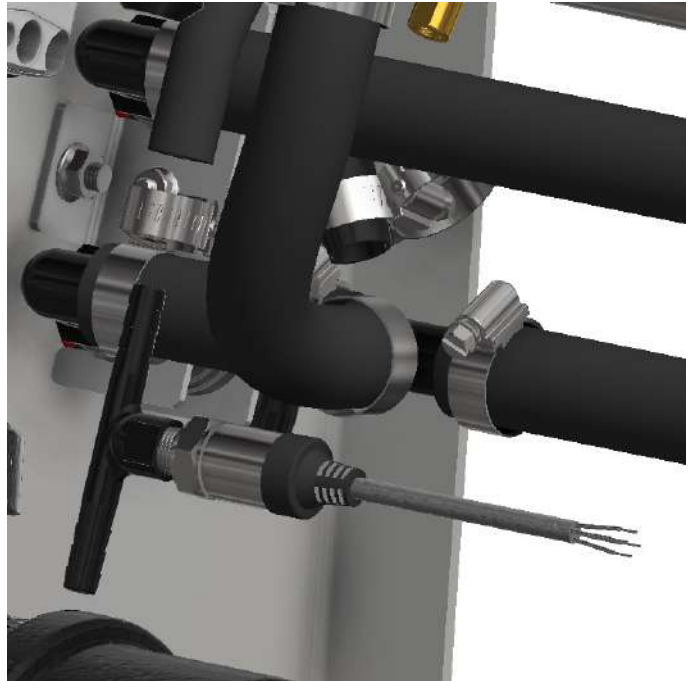
- Connect the other end to the “tee fitting” in the return line.
- Securely fasten with 3/4” hose clamp.



A

STEP SEVEN:

- Connect the pressure sensor assembly to the 3/8” hose (S54034 & S52004).
- Securely fasten with 3/8” hose clamp.



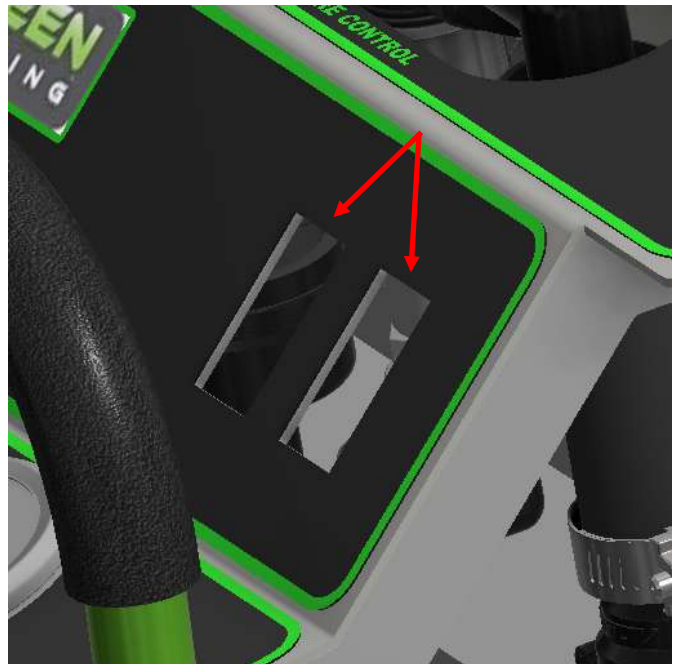
PRESSURE CONTROL SYSTEM ASSEMBLY INSTRUCTIONS

- Connect the 3/8" hose from the hose reel to the pressure sensor "tee fitting".
- Securely fasten with 3/8" hose clamp.

NOTE: *Trim the 3/8" hose as needed.*



STEP EIGHT: Using an exacto or utility knife, locate and trim the decal to expose the first two openings for rockers switches.



PRESSURE CONTROL SYSTEM ASSEMBLY INSTRUCTIONS

STEP NINE:

Attach the rocker switches to the dash as shown.
E40202-3 WAY and E40202-40

NOTE:

- The 2-way switch goes on the right and the 3-way on the left (Fig. 1).
- The long end of the switch faces down (Fig. 2).



Fig. 1

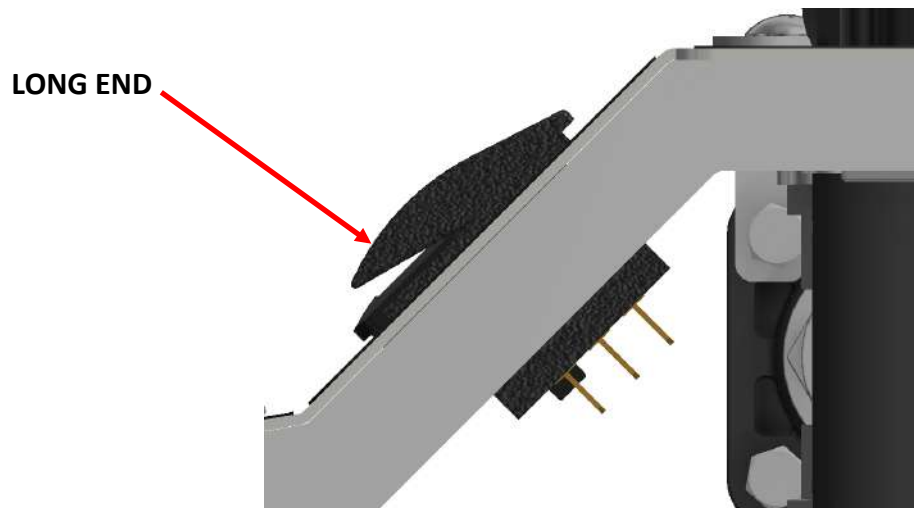


Fig. 2

PRESSURE CONTROL SYSTEM ASSEMBLY INSTRUCTIONS

STEP NINE: Attach the controller (S54020) to the up-right cross member. Use (2) HFSSC-1012 & (2) HFNSC-10S (provided with the kit).



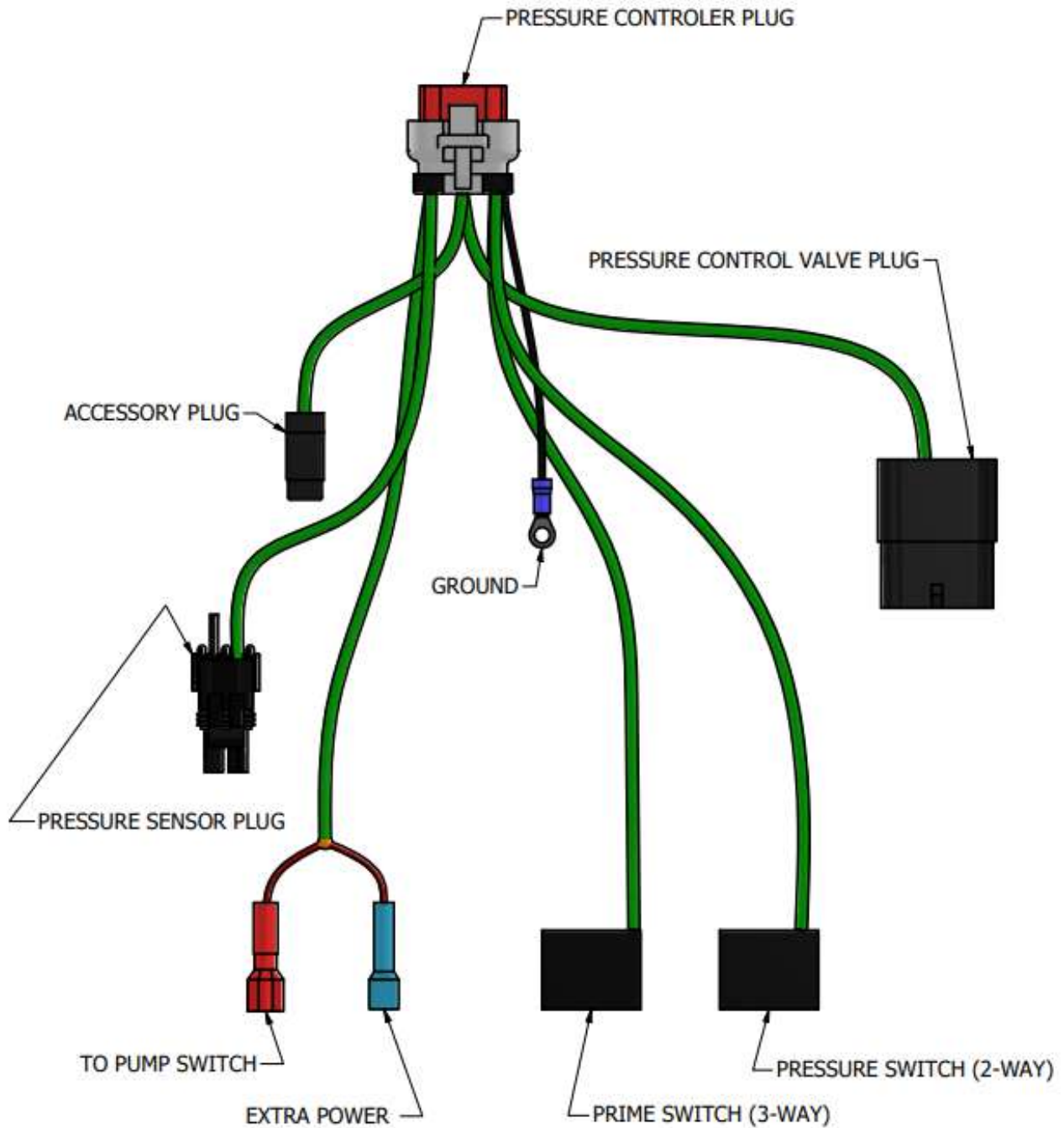
STEP TEN:

- Apply the “press” and “prime” decals to the dash as shown.
- (C60362) - prime decal, (C60363) - press + decal, (C60364) - press—decal. Included with the kit.



PRESSURE CONTROL SYSTEM ASSEMBLY INSTRUCTIONS

PRESSURE CONTROL HARNESS
SG-FC



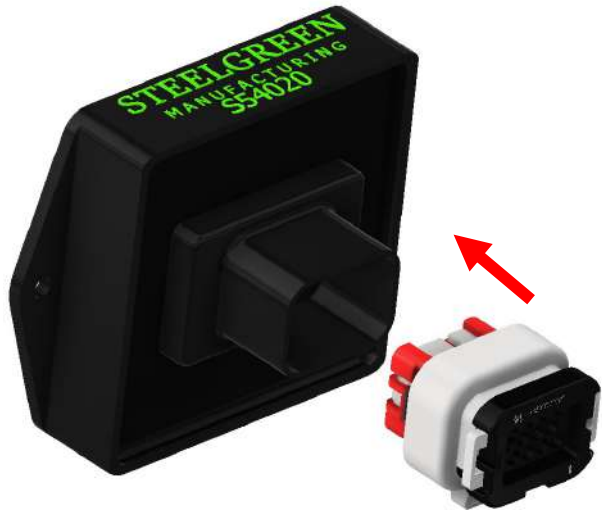
PRESSURE CONTROL SYSTEM ASSEMBLY INSTRUCTIONS

NOTE:

- *Route the harness neatly, away from sharp edges and moving parts .*
- *Use zip ties as needed.*

STEP ELEVEN:

- Plug the wire harness into the controller.



- Loop the harness over the cross member.

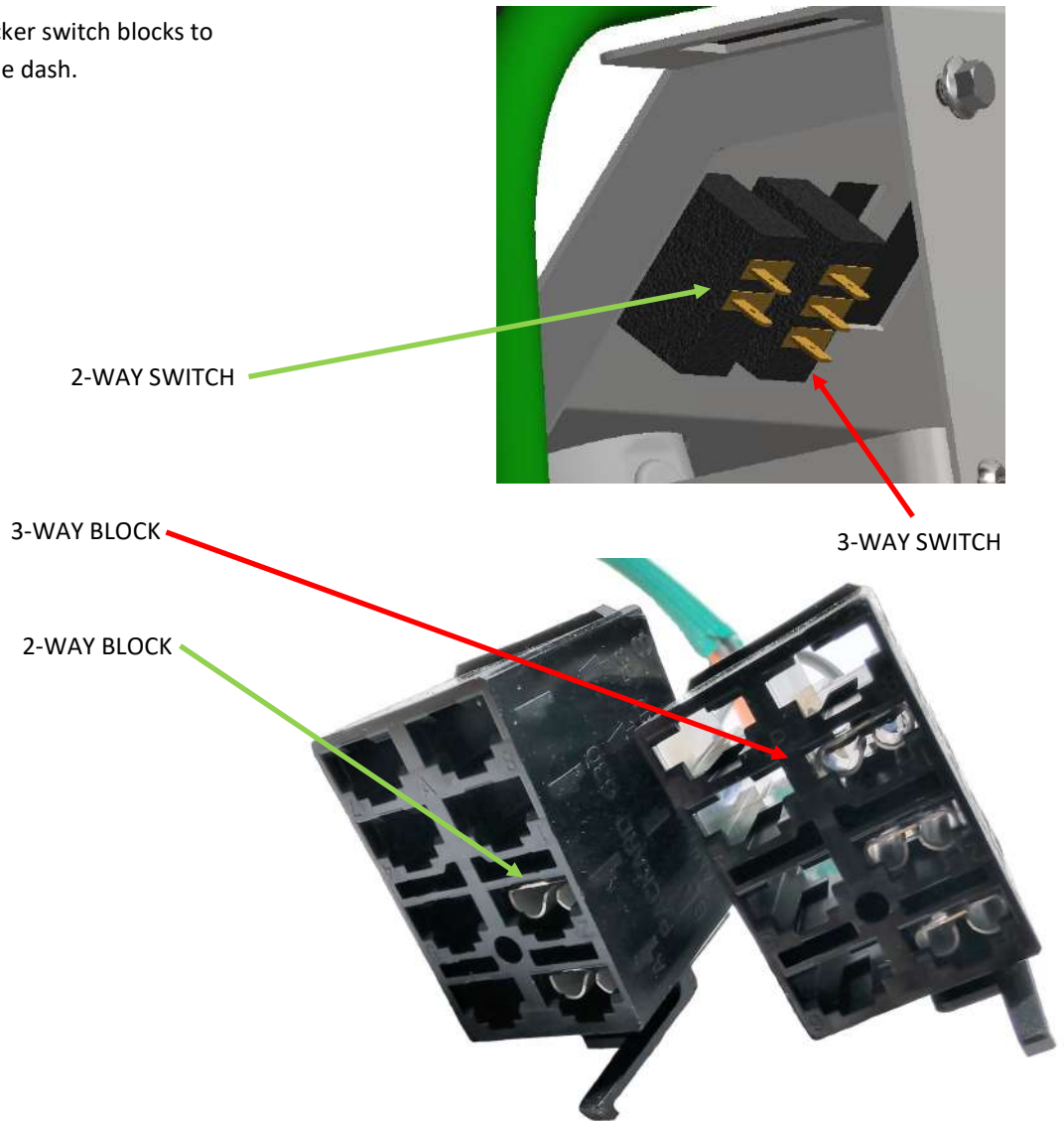


STEP TWELVE: Loosen the ground nut on the cross member and add the ground from the harness.



PRESSURE CONTROL SYSTEM ASSEMBLY INSTRUCTIONS

STEP THIRTEEN: Plug the rocker switch blocks to the rocker switches under the dash.



STEP FORTEEN:

- Connect the 4-way plug to the plug on KZ valve assembly.



PRESSURE CONTROL SYSTEM ASSEMBLY INSTRUCTIONS

STEP FIFTEEN: Connect the 2-way sensor plug to the cable on the pressure sensor.



STEP SIXTEEN:

Pump Switch Connection

- Disconnect the single red wire from the pump switch.

NEW UNITS WITH BLOCK



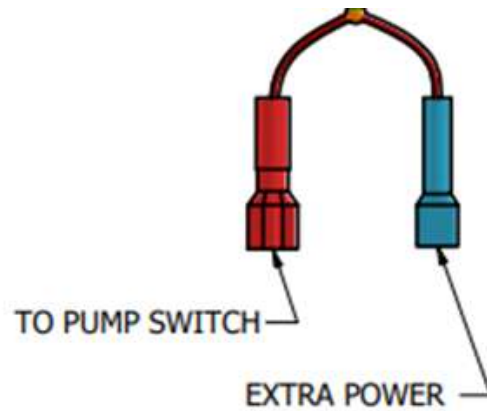
OLDER UNITS NO BLOCK



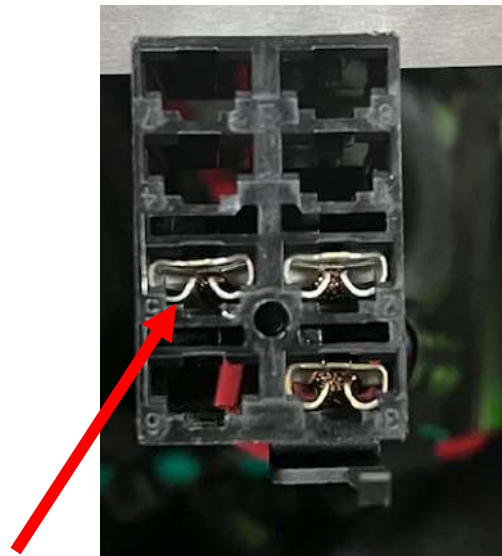
PRESSURE CONTROL SYSTEM ASSEMBLY INSTRUCTIONS

2020 or machine with this type of connection.

(Fig. 1) Connect the red plug from the harness to the pump switch terminal or block.



PUMP SWITCH BLOCK Fig 1



PUMP SWITCH TERMINAL Fig. 2

2020 or older machine with this type of connection. Use red and blue connections from the harness to connect in-line to the single wire connection of the pump switch. (Fig. 2).



PRESSURE CONTROL SYSTEM ASSEMBLY INSTRUCTIONS

STEP SEVENTEEN:

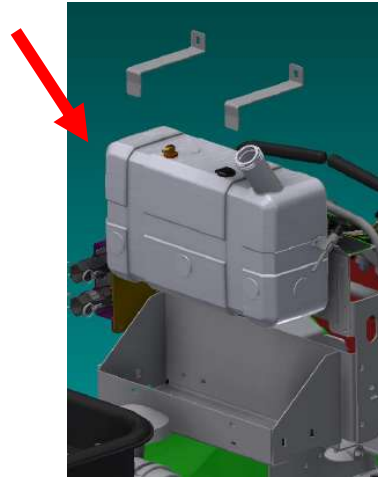
- Reinstall the fuel tank.
- Squeeze the hose clamp and slide it back.
- Reconnect both fuel lines.

CAUTION!

- Beware of excess fuel in the lines.
- Fuel spillage.

WARNING!

- Flammable gas.



ENGINE SUPPLY LINE

PRESSURE RELIEF



STEP EIGHTEEN: Reconnect the battery power wire first, and then reconnect the ground wire.





MADE IN THE USA

Steel Green Mfg.
920 S State Road 39
Lebanon, IN 46052
(756)-481-2890
www.steelgreenmfg.com

PRESSURE CONTROL SYSTEM KIT A10058