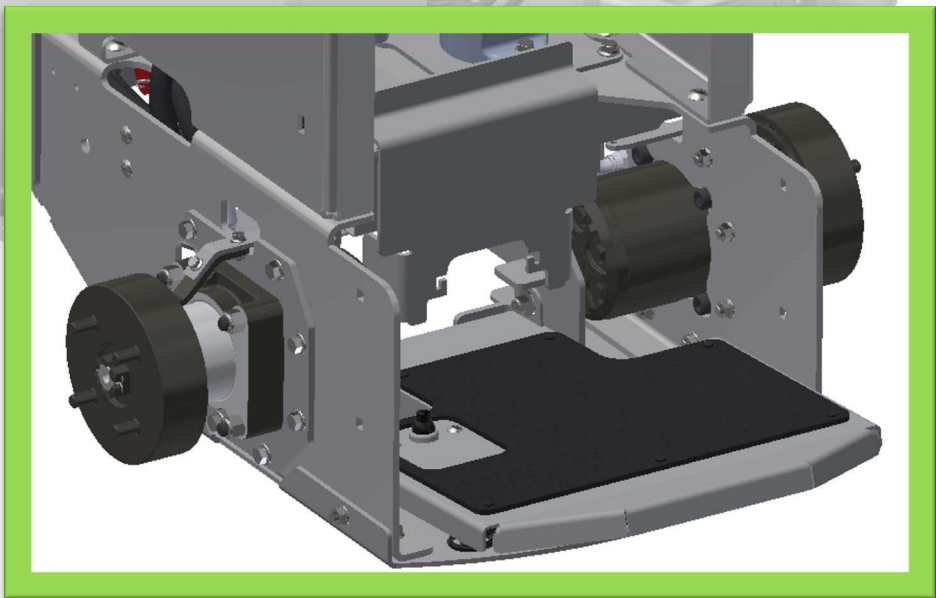
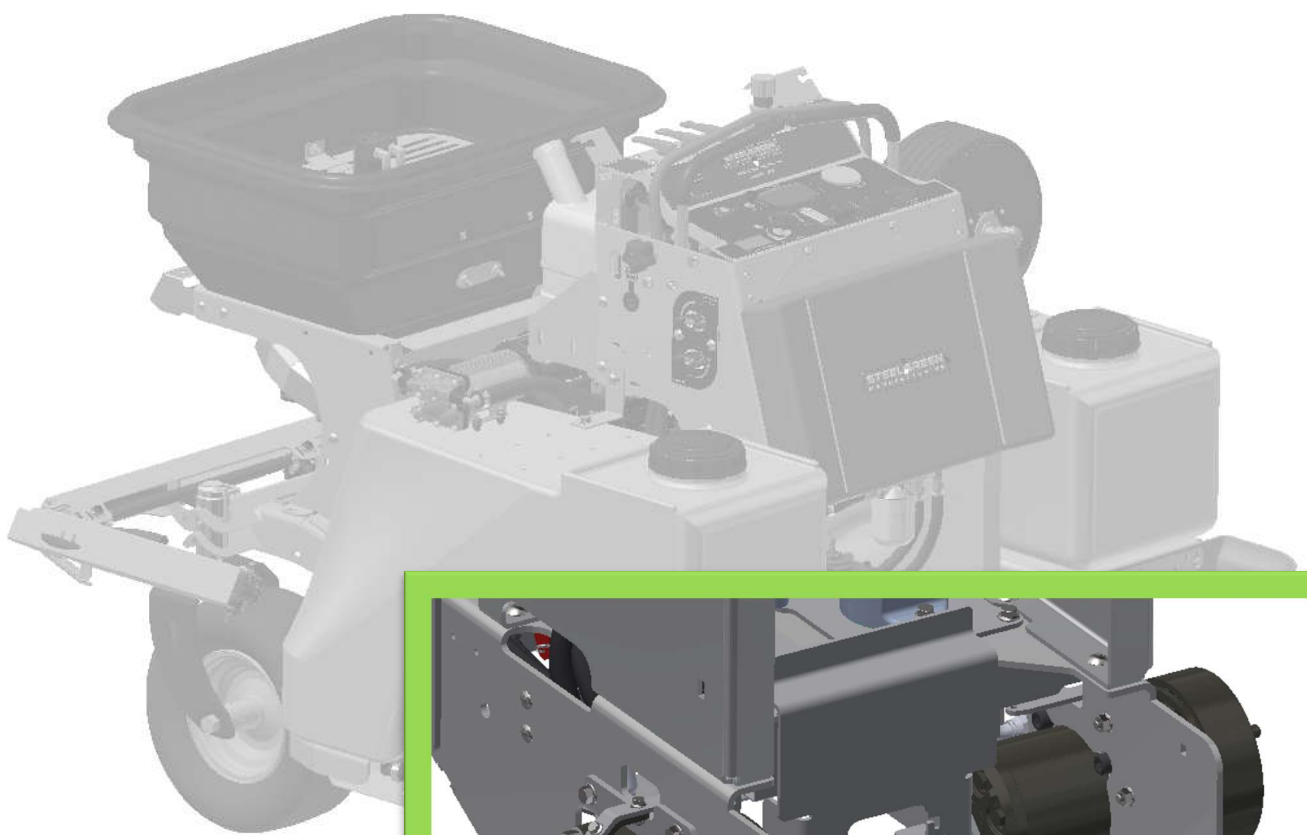


**INSTRUCTION MANUAL**

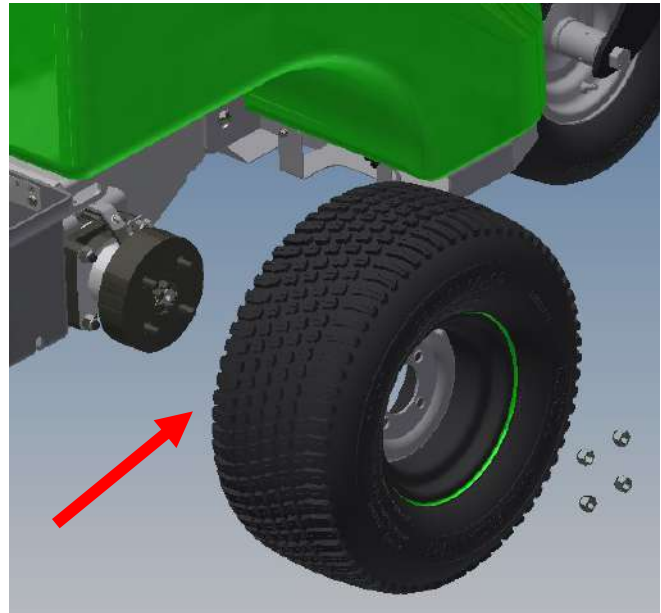
**SG PARKING BRAKE CABLE REPLACEMENT INSTRUCTIONS**



## PARKING BRAKE CABLE REPLACEMENT INSTRUCTIONS

**NOTE:** Instructions are the same for both sides.

**STEP ONE:** Loosen the lug nuts and remove the rear tire.



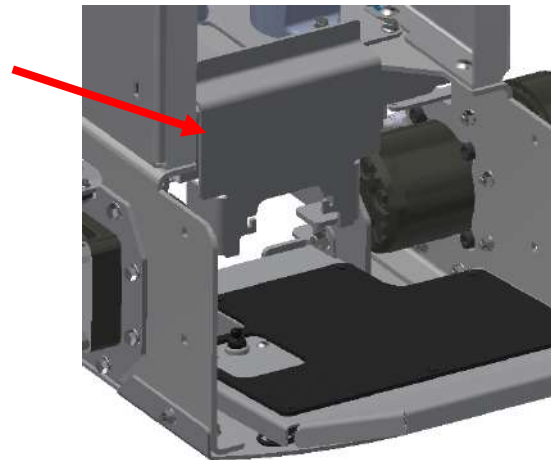
**NOTE:**

- The orientation of the cables from side to side, they cross from left to right and right to left.
- Depending on the machine the wheel motor bracket and cable support brackets will be on the outside of the frame.

**STEP TWO:**

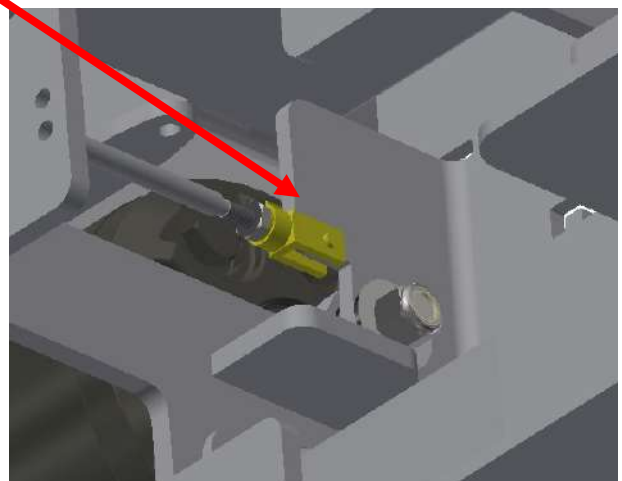
- Be sure the parking pedal is in the “UP” position to release the tension on the springs.
- **SG36** Unfasten the clevis to disconnect the cable from the pedal.

See next page for SG52.



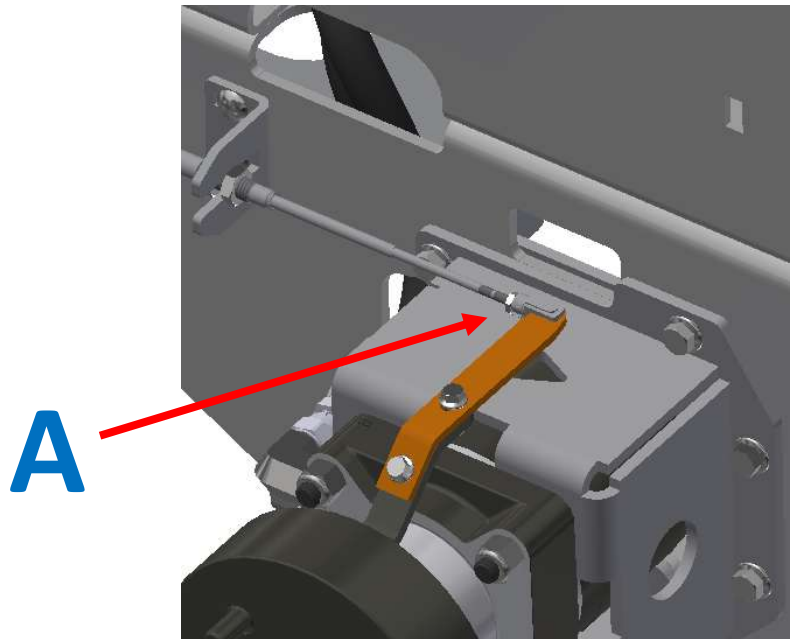
**A**

**SG36 RIGHT SIDE**



## PARKING BRAKE CABLE REPLACEMENT INSTRUCTIONS

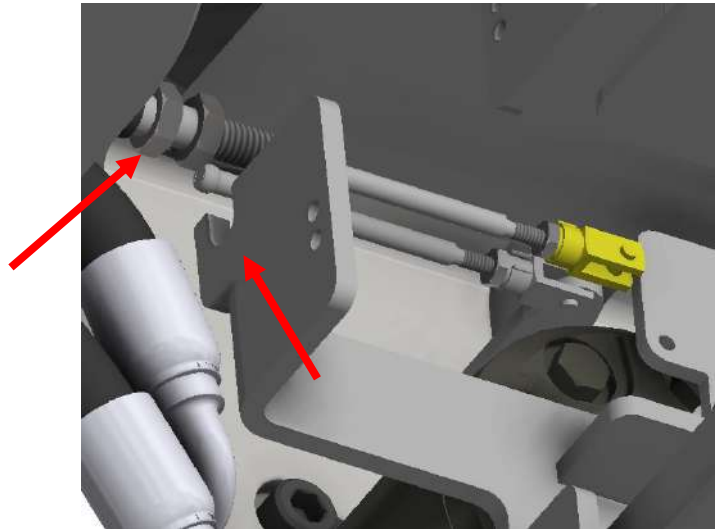
- **SG52** Unfasten the clevis to disconnect the cable from the wheel motor bracket.



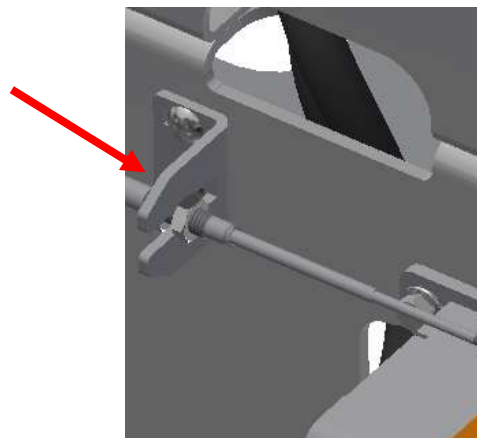
### SG52 LEFT SIDE

#### STEP THREE:

- **SG36** Loosen the adjustment nuts to free the cable from the bracket.



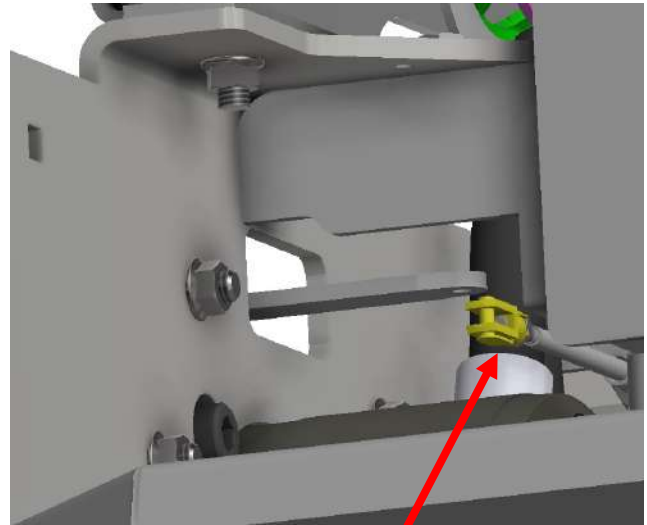
- **SG52** Loosen the adjustment nuts to free the cable from the support bracket.



## PARKING BRAKE CABLE REPLACEMENT INSTRUCTIONS

### STEP FOUR:

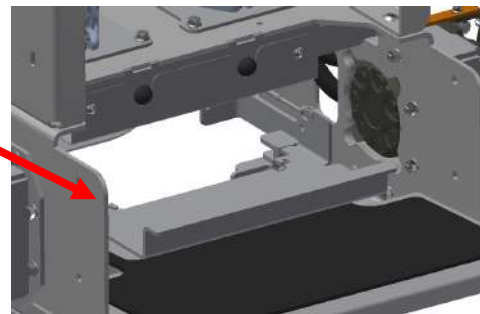
- **SG36** Unfasten the clevis to disconnect the other end of the cable from the wheel motor bracket.



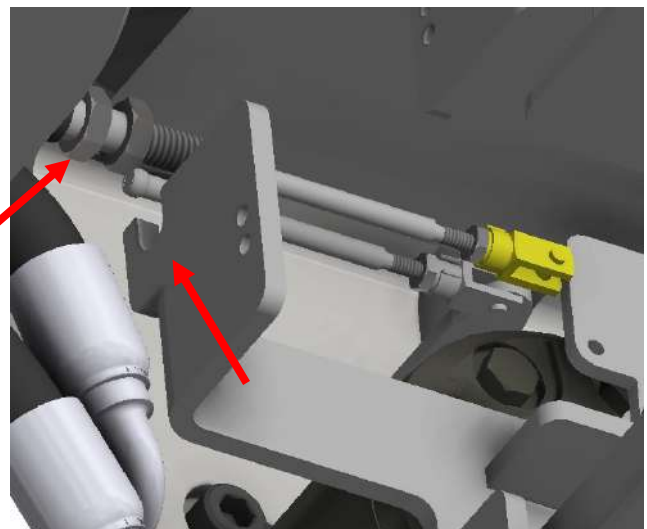
**SG36 LEFT SIDE**

**A**

**ASSY. TIP:** The brake pedal on the SG52 unit can now be placed in the down position for easier access to the cables.



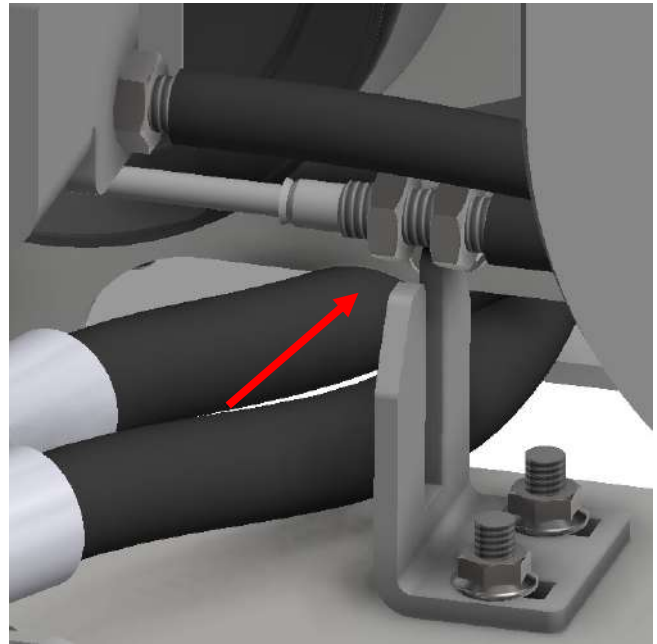
- **SG52** Disconnect the clevis from the pedal.
- Loosen the adjustment nuts to free the cable from the bracket.



**SG52 RIGHT SIDE**

## PARKING BRAKE CABLE REPLACEMENT INSTRUCTIONS

**STEP FIVE:** Loosen the adjustment nuts to free the cable from the support bracket.



### **SG36 LEFT SIDE**

#### **NEW CABLE INSTALATION**

**NOTE:** Repeat this step for the other end of the cable, (2) cables.

**STEP ONE:** Attach the clevis (2447K110) to parking brake cable (D71018).



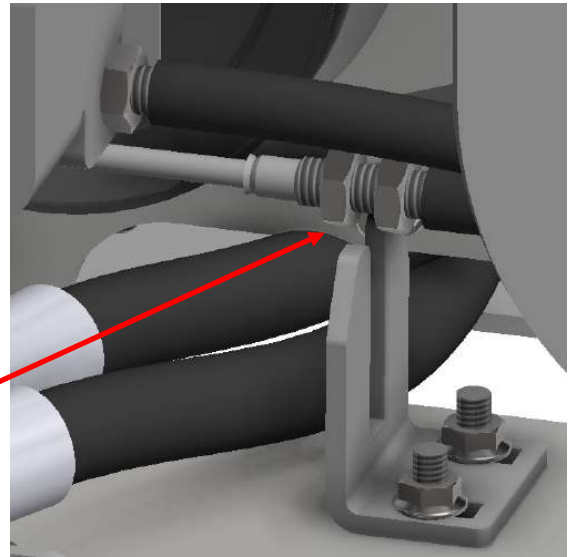
## PARKING BRAKE CABLE REPLACEMENT INSTRUCTIONS

**NOTE:** Instructions are the same for right and left sides..

### STEP TWO:

- **SG36** Attach one end of the cable to the support bracket.

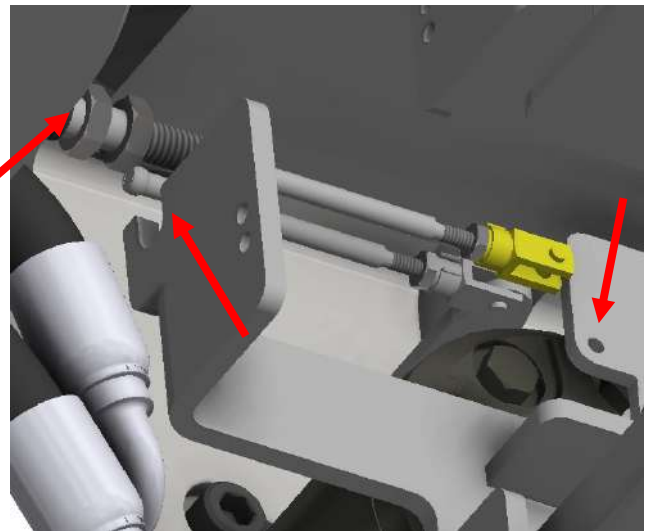
A



**SG36 LEFT SIDE**

- **SG52** Attach one end of the cable to the brake pedal support bracket on the **RIGHT SIDE**.
- Attach the clevis to the hole in the brake pedal.

A



**SG52 RIGHT SIDE**

## PARKING BRAKE CABLE REPLACEMENT INSTRUCTIONS

### STEP THREE:

#### SG36

- Route the cable along the cross member away from moving parts to the opposite side (Fig 1).
- Attach the other end of the cable to the brake pedal support bracket on the **RIGHT SIDE**.
- Attach the clevis to the hole in the brake pedal.

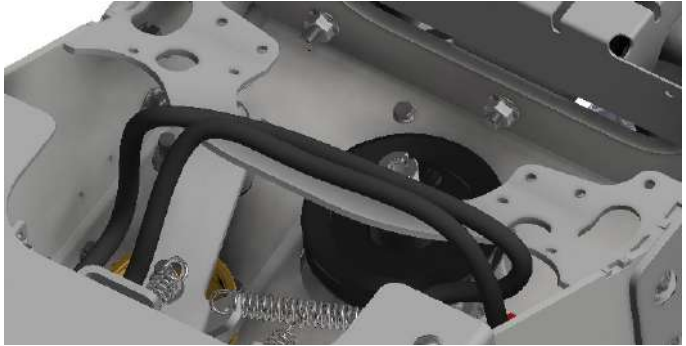
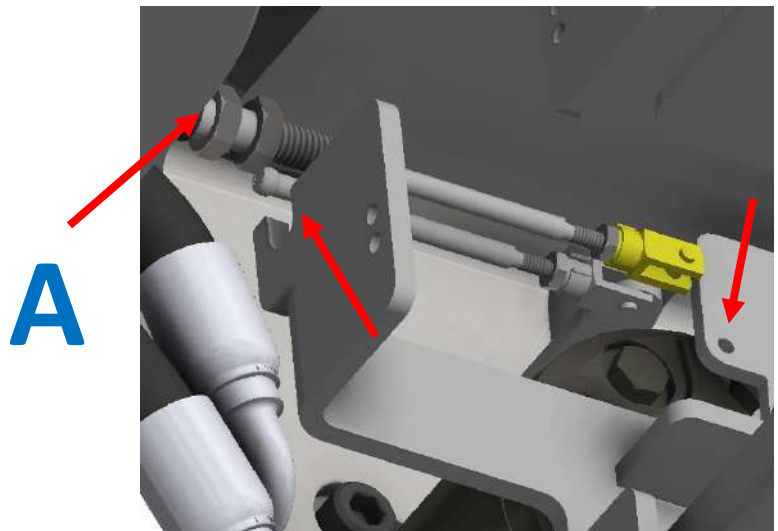


Fig 1



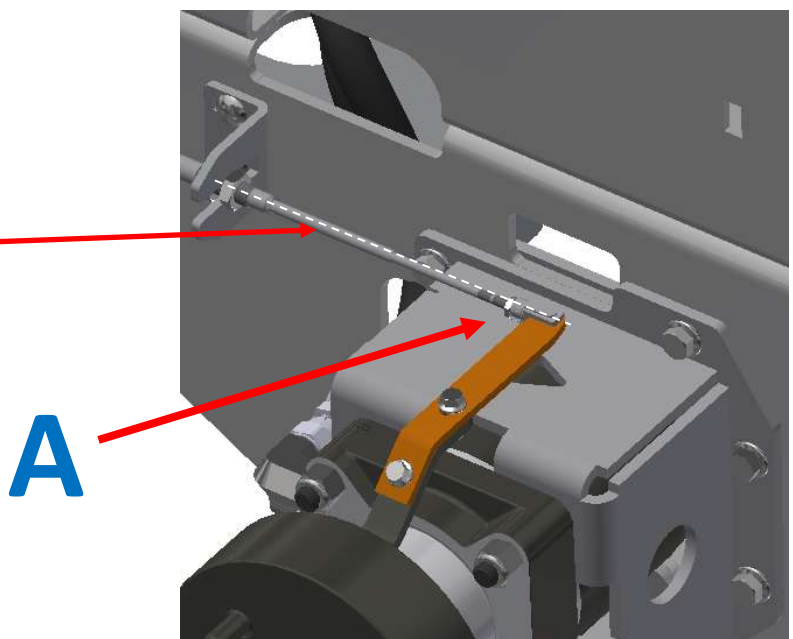
**SG36 RIGHT SIDE**

#### SG52

- Attach the other end of the cable to the LEFT side support bracket.

**NOTE:** Be sure the cable is aligned with the hole in the wheel motor bracket before fastening the clevis..

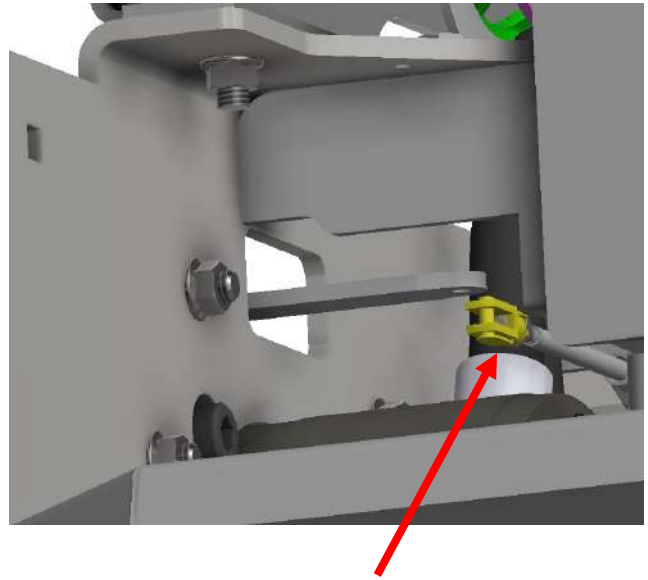
- Attach the clevis to the hole in the wheel motor bracket.



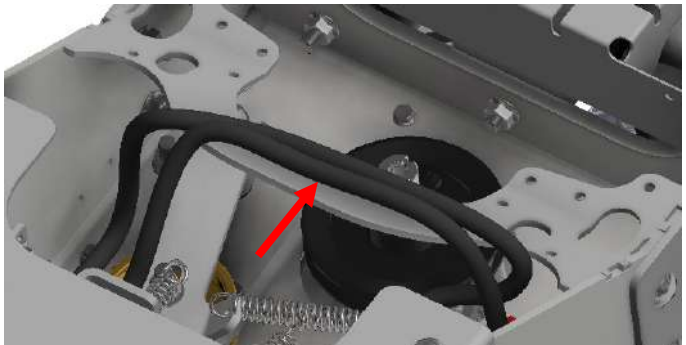
**SG52 LEFT SIDE**

## PARKING BRAKE CABLE REPLACEMENT INSTRUCTIONS

**STEP FOUR:** SG36 Attach The clevis to the wheel motor bracket.



**STEP FIVE:** Neatly zip tie both cables to the frame cross member.





## PARKING BRAKE CABLE REPLACEMENT INSTRUCTIONS

### CABLE ADJUSTMENT SG36/SG52

- With the brake pedal in the **"UP POSITION"** (Fig. 2), adjust the brake cable until the wheel motor bracket is straight (Fig.3).
- Repeat this step for the **RIGHT** side.

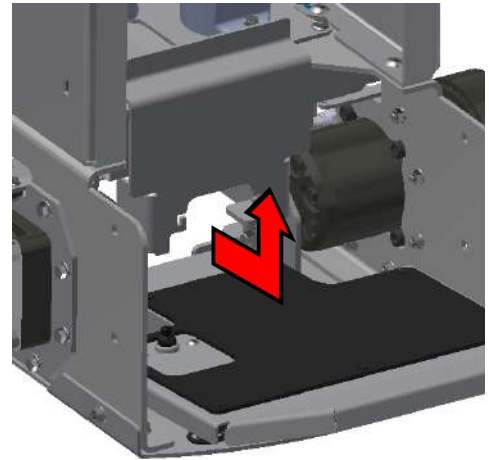


Fig. 2

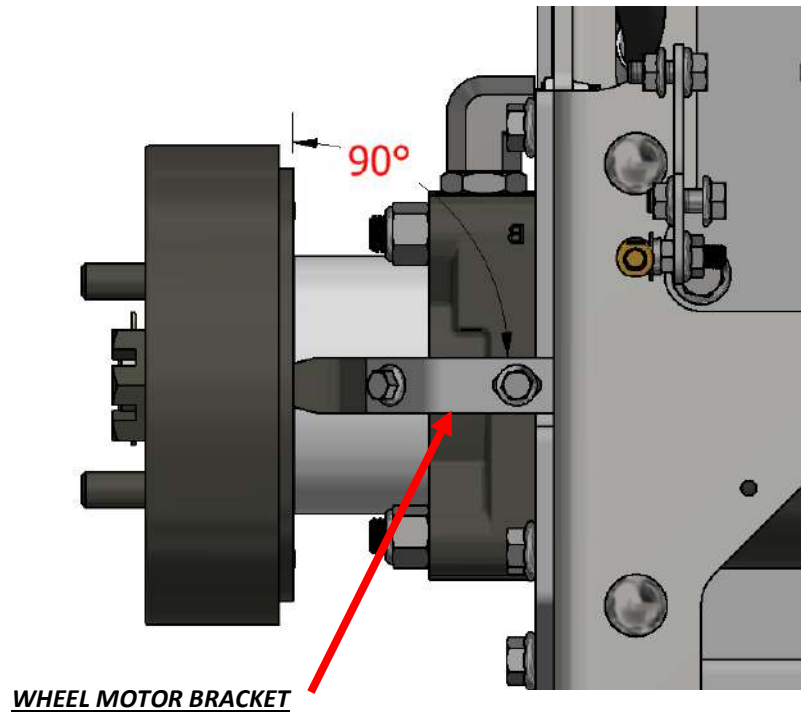
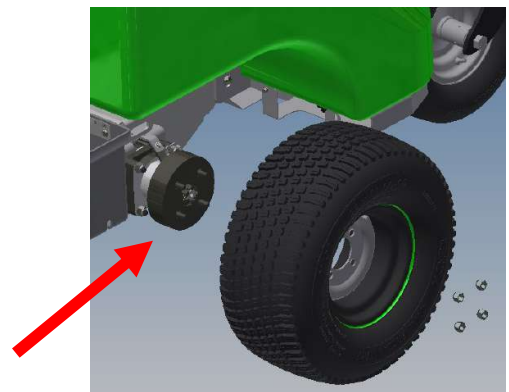


Fig. 3

- Reattach the rear tires.





**MADE IN THE USA**

Steel Green Mfg.  
920 S State Road 39  
Lebanon, IN 46052  
(756)-481-2890  
[www.steelgreenmfg.com](http://www.steelgreenmfg.com)

SG Parking brake cable replacement Instructions