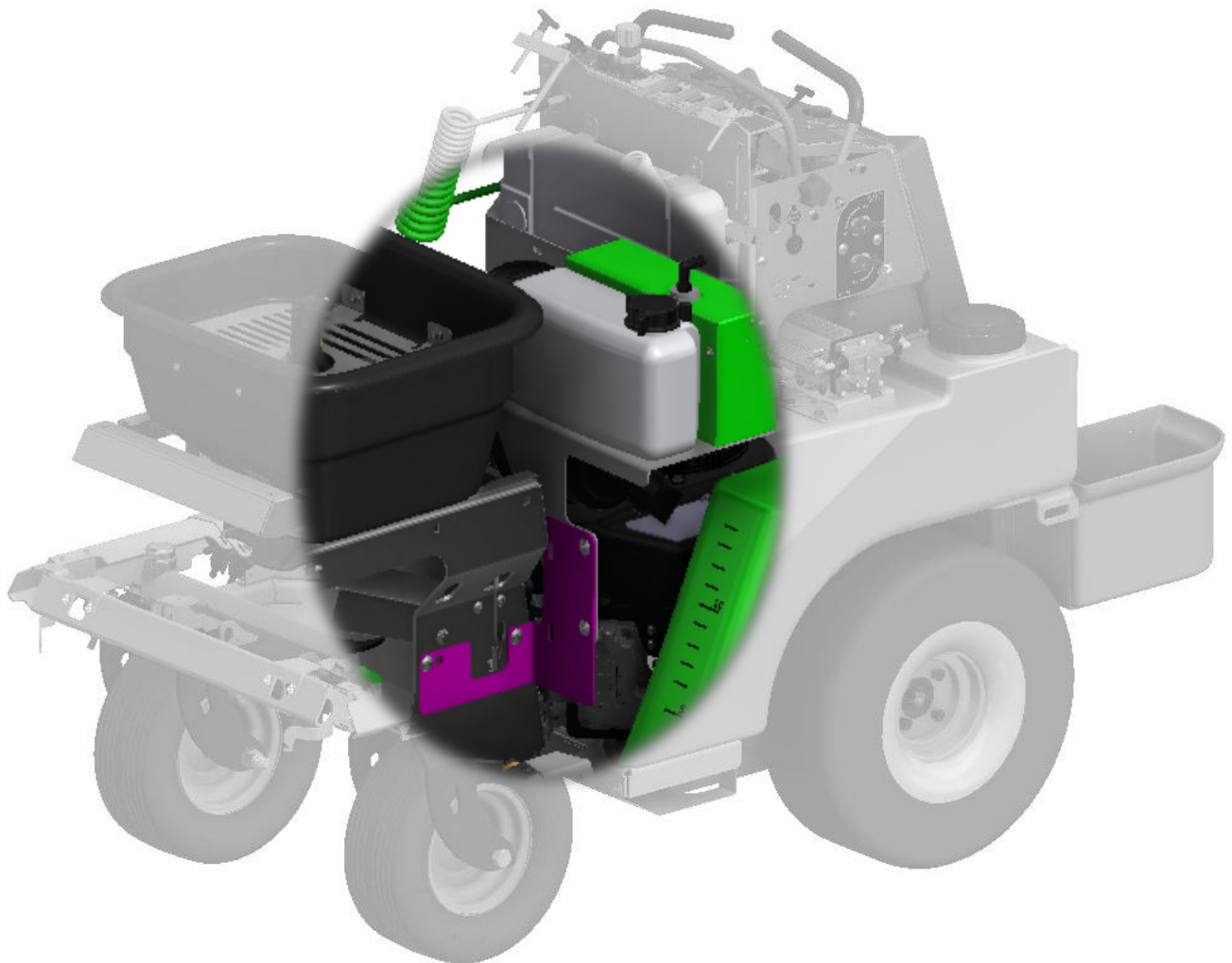


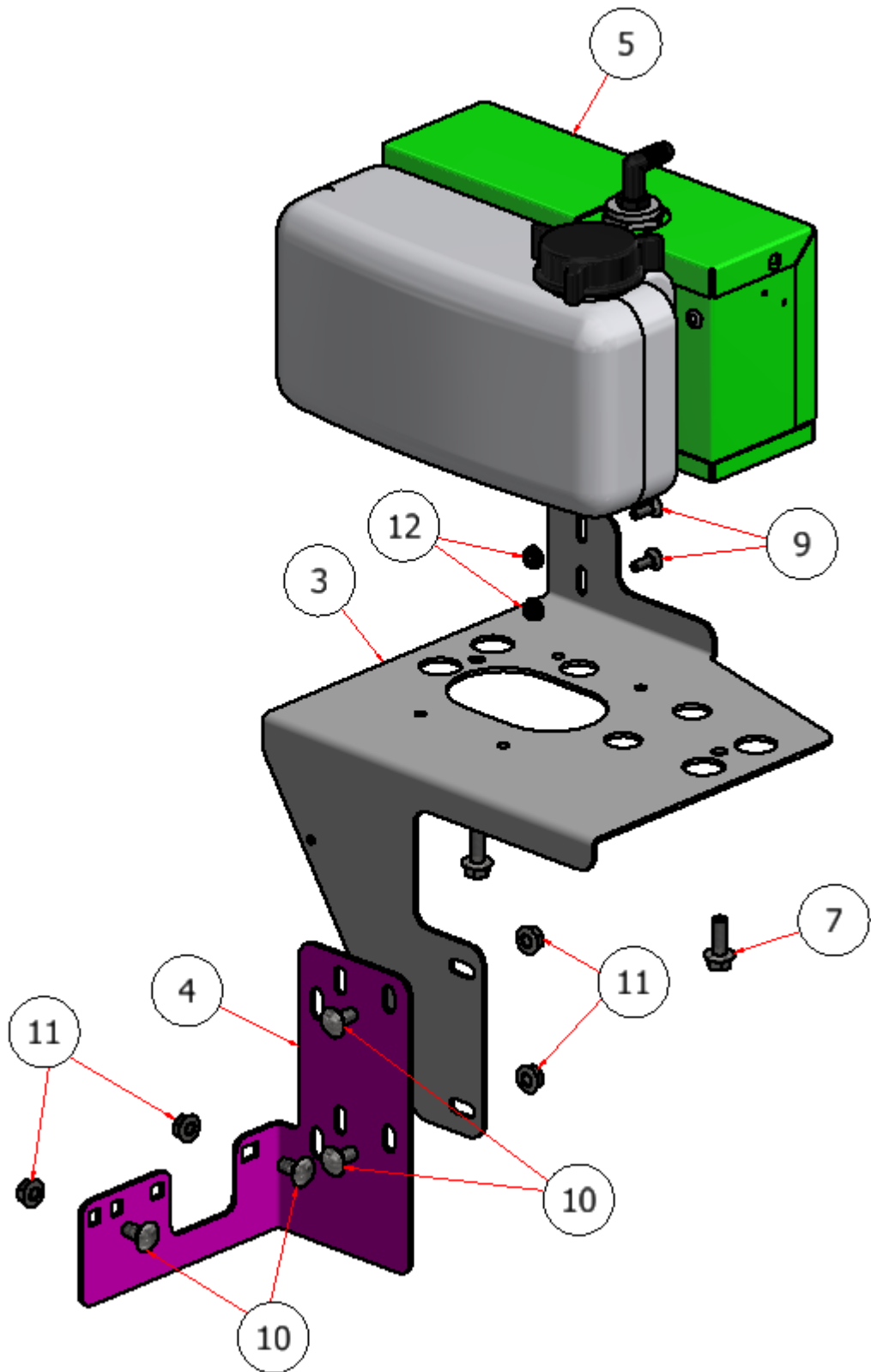
INSTRUCTION MANUAL

1 GALLON FOAM MARKER

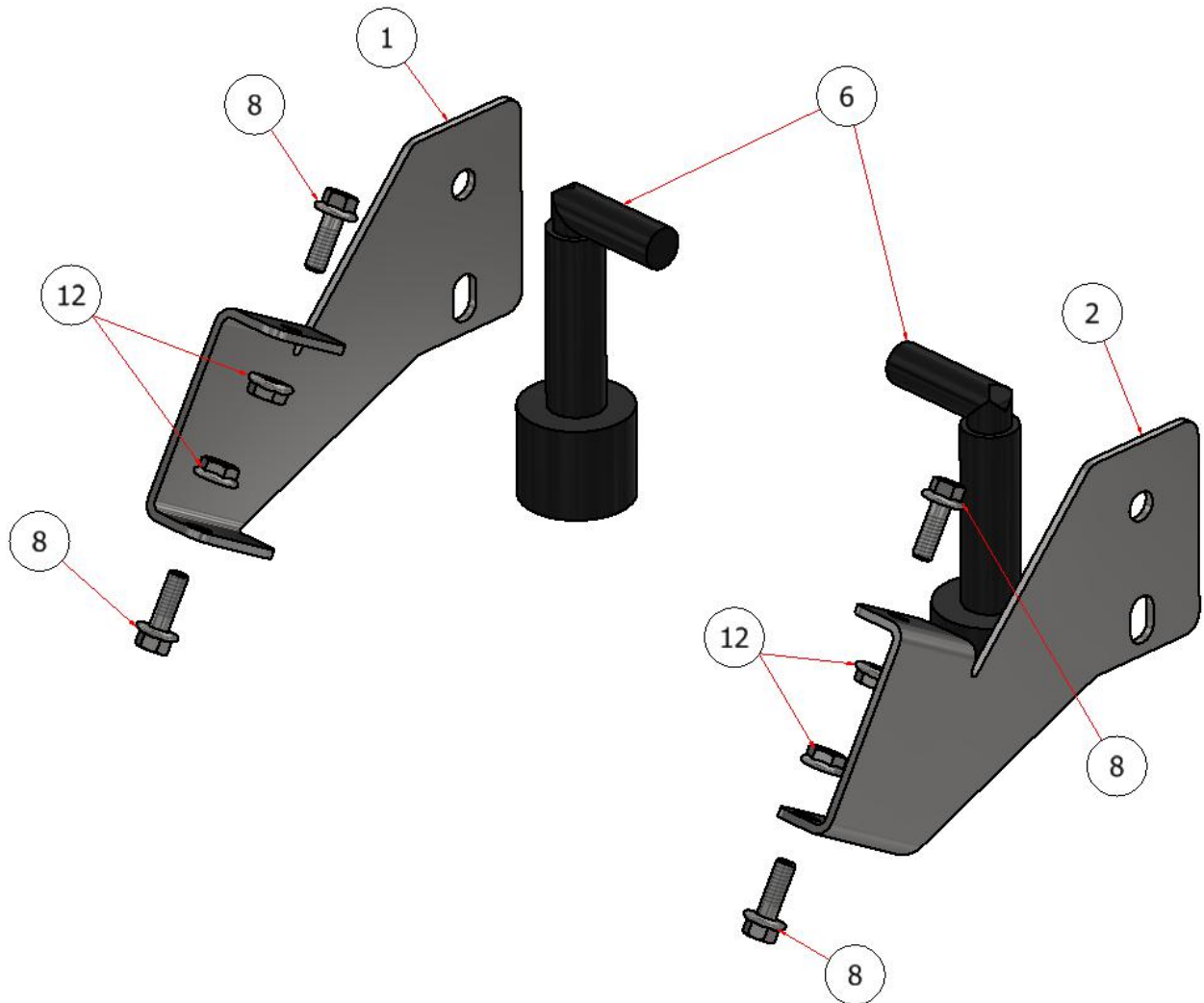
Models: SG36, SG42, SG46, & SG52



1 GALLON FOAM MARKER EXPLODED VIEW



1 GALLON FOAM MARKER EXPLODED VIEW



1 GALLON FOAM MARKER KIT P10011			
ITEM	QTY	PART NUMBER	DESCRIPTION
1	1	R22-059	FOAM MARKER BOOM BRACKET
2	1	R22-059-L	FOAM MARKER BOOM BRACKET LEFT
3	1	R22-060	BRACKET, FOAM MARKER SUPPORT, 1 & 2.5 GALLON
4	1	R22-112	SUPPORT, LOWER, FOAM MARKER
5	1	Z02445-TF-2012	1 GALLON FOAM MARKER, PUMP\TANK ASSY.
6	2	X31100-2012	1 GALLON FOAM DROPPER
7	2	HFSSC-381	HEX FLANGE BOLT, SS - 3/8-16 x 1
8	4	HFSSC-1475	HEX FLANGE BOLT, SS-1/4-20 X 3/4
9	2	CB-1434SS	CARRIAGE BOLT, SS - 1/4-20 x 3/4
10	6	CB-3834SS	CARRIAGE BOLT, SS - 3/8-16 x 3/4
11	4	HFNCS-38S	HEX FLANGE NUT - 3/8-16
12	6	HFNCS-14S	HEX FLANGE NUT - 1/4-20

1 GAL. FOAM MARKER ASSEMBLY INSTRUCTIONS

STEP ONE: Disconnect the battery, *ground* first and then *power* wire.



GROUND

POWER

STEP TWO: Disconnect and remove the fuel tank.

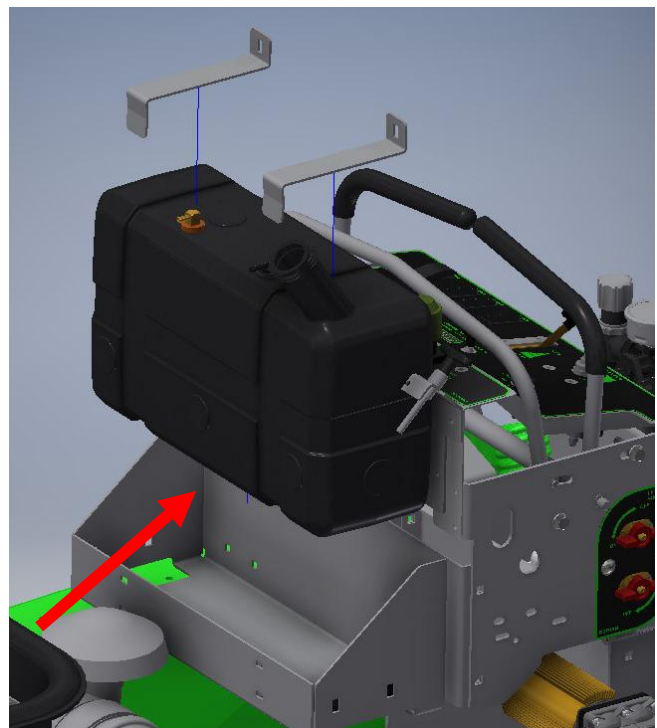
CAUTION!

-Beware of excess fuel in the lines.

-Fuel spillage.

WARNING!

-Flammable gas.

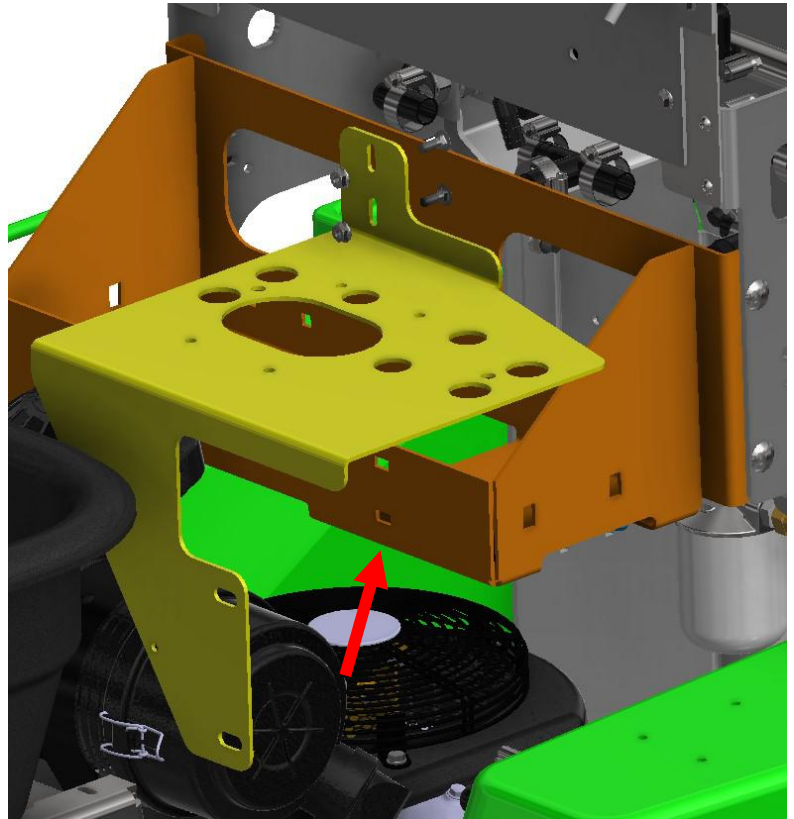


1 GAL. FOAM MARKER ASSEMBLY INSTRUCTIONS

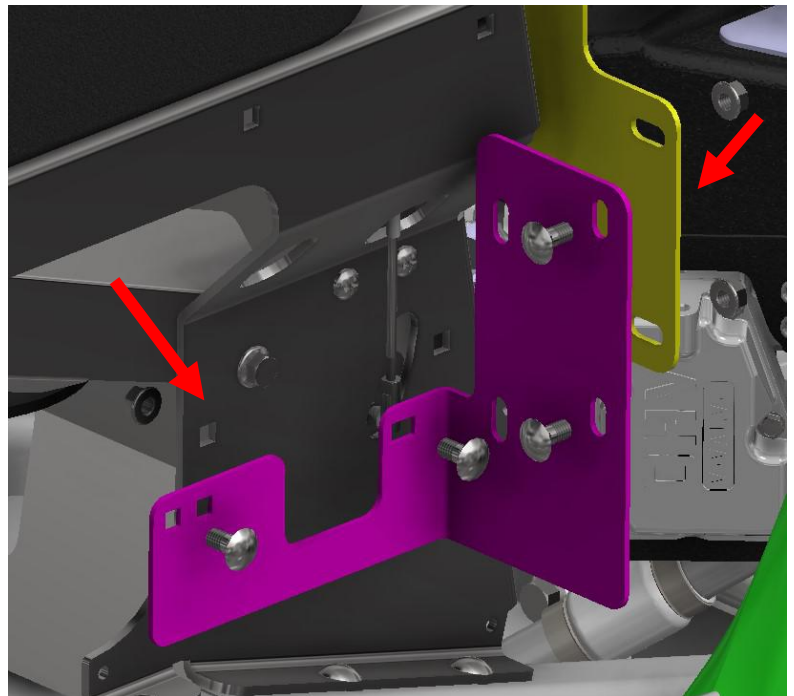
NOTES: *Parts are shown in colors for clarity.*

STEP THREE:

- Attach the foam marker support bracket (supplied with the kit) to fuel tank support. 2 CB-1434SS and 2 HFNCS-38S (supplied with the kit). Leave the bolts loose.



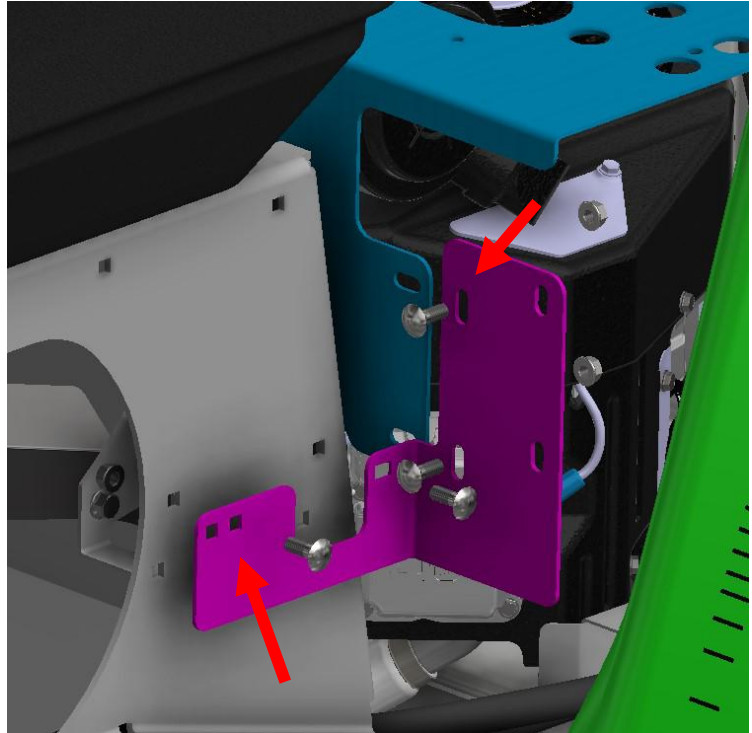
- Attach the lower support bracket (supplied with the kit) to foam marker support bracket and the side of the hopper. 4 CB-1434SS and 4 HFNCS-38S (supplied with the kit).
- Once all the bolts are started, they can be tightened.



SG36/42

1 GAL. FOAM MARKER ASSEMBLY INSTRUCTIONS

NOTE: *The SG46/52 uses the same lower bracket.*



SG46/52

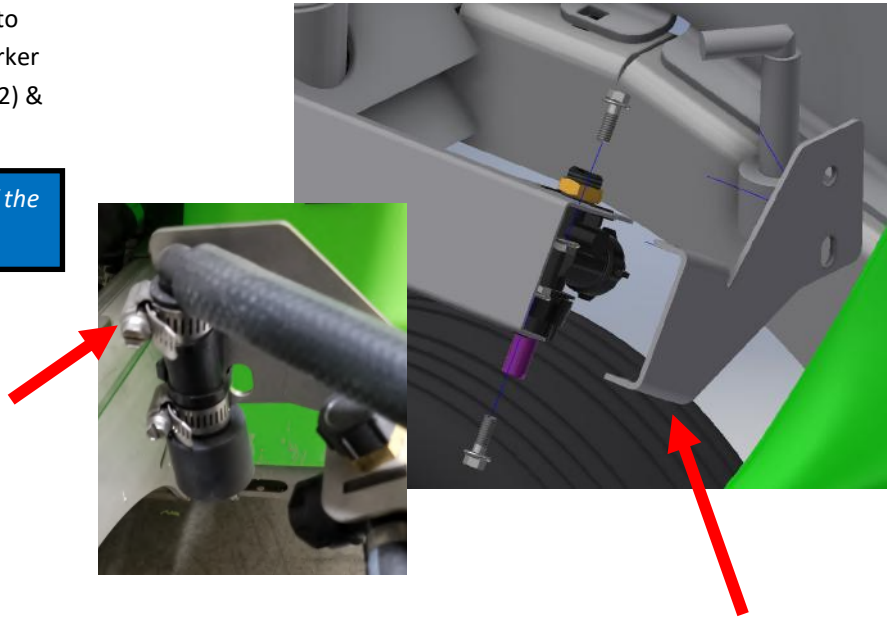
- Attach the foam marker assembly (supplied with the kit) to the support. Use 2 HFSSC-381 (supplied with the kit).



1 GAL. FOAM MARKER ASSEMBLY INSTRUCTIONS

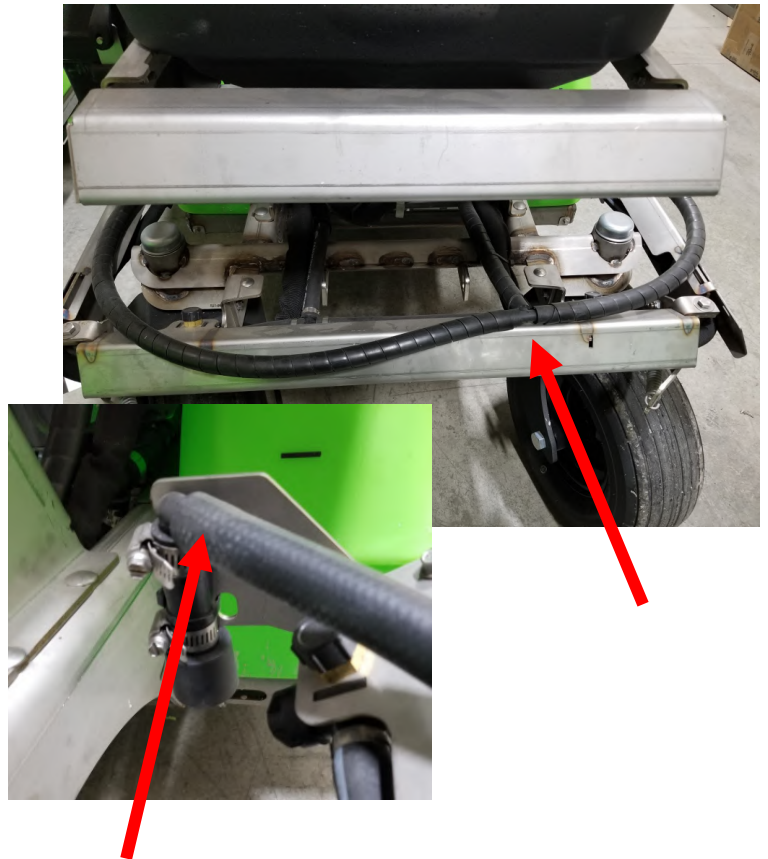
STEP FOUR: Attach the foam marker bracket to the end of the boom and fasten the foam marker to the bracket with hose clamps. HFSSC-1475 (2) & IFI-10.25-20 (2)

NOTE: Repeat step three for the other side of the boom.



STEP FIVE: Cut the provided hose to length as needed with the “tee” fitting positioned to the right as shown, route the hoses across the boom and connect to the “tee” fitting and foam markers as shown.

NOTE: Before cutting hoses, be sure to allow enough length to extend and fold the boom on both sides.



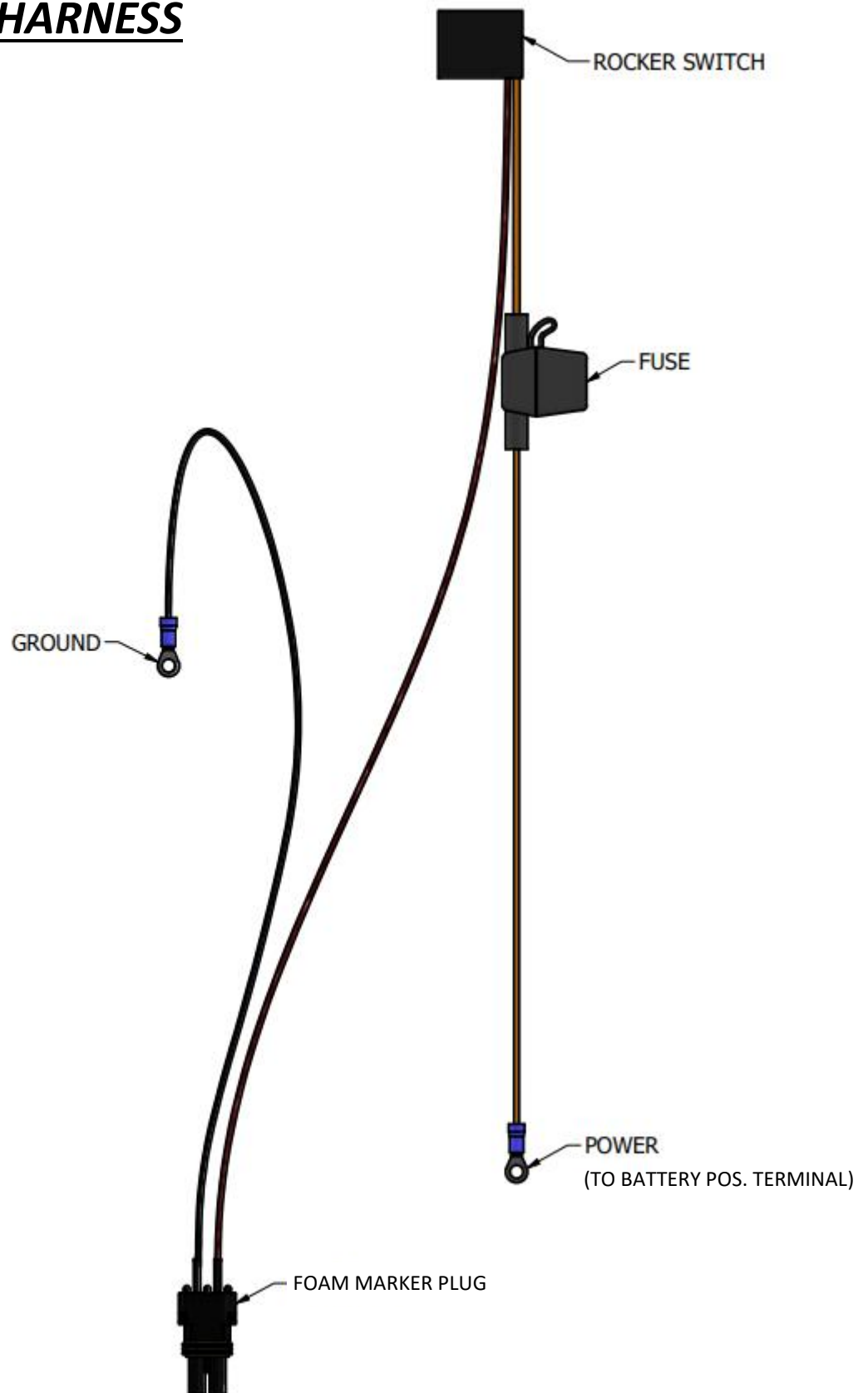
1 GAL. FOAM MARKER ASSEMBLY INSTRUCTIONS

STEP SIX: Cut the provided hose to length as needed and route it from the “tee” fitting, along the frame, and connect it to the foam marker pump.



1 GAL. FOAM MARKER ASSEMBLY INSTRUCTIONS

WIRING HARNESS

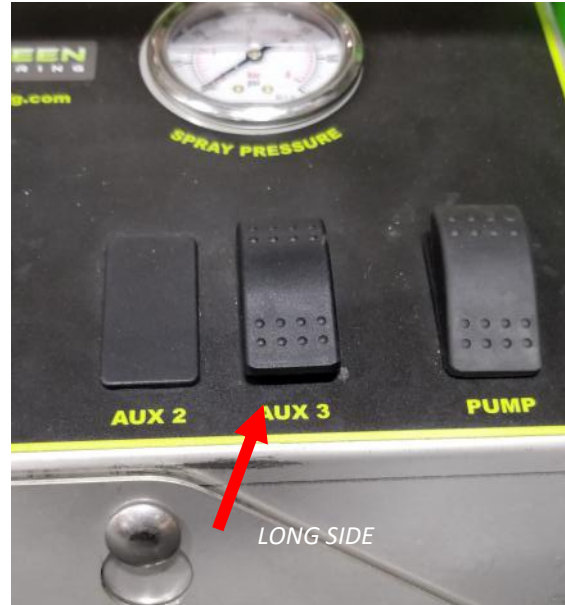


1 GAL. FOAM MARKER ASSEMBLY INSTRUCTIONS

STEP EIGHT:

- Remove the plastic cap from “aux 3” in the panel .
- Attach the “rocker switch” to the dash panel.

NOTE: *The long side of the rocker switch should face down.*



- Plug the wiring harness into the rocker switch.



STEP NINE: Continue to route the wiring harness down through the uprights attaching it with zip ties as necessary.



1 GAL. FOAM MARKER ASSEMBLY INSTRUCTIONS

STEP TEN:

- Connect the ground wire from the wiring harness to the up right cross member.
- Route the power wire neatly down and along the frame to the battery.

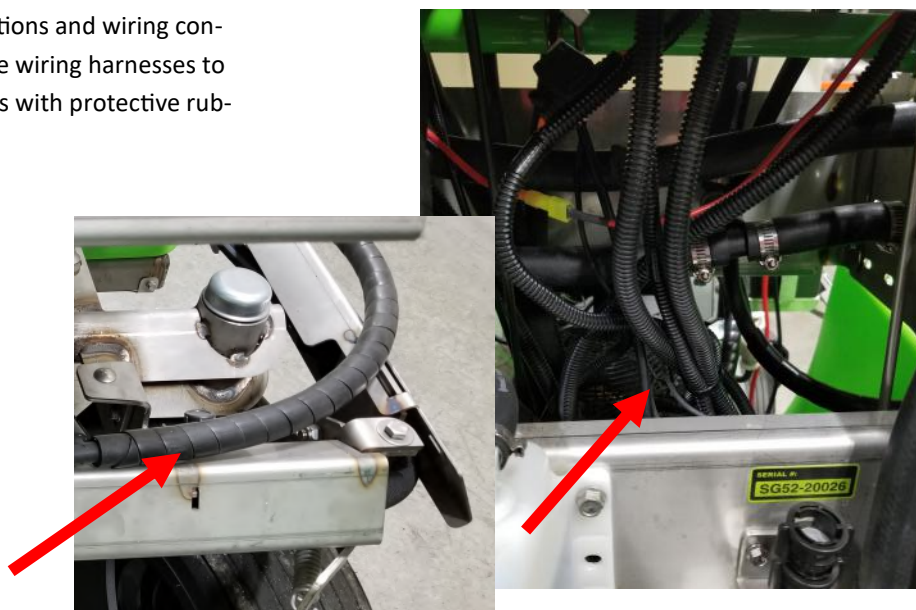
NOTE: Do not connect the *Power wire* until all connections are made, (see step fourteen)



STEP ELEVEN: Plug the pump power connector from the harness to the foam marker power connector.



STEP TWELVE: : Once all hose connections and wiring connections are made, securely fasten the wiring harnesses to the frame with zip ties and wrap hoses with protective rubber hose wrap.



1 GAL. FOAM MARKER ASSEMBLY INSTRUCTIONS

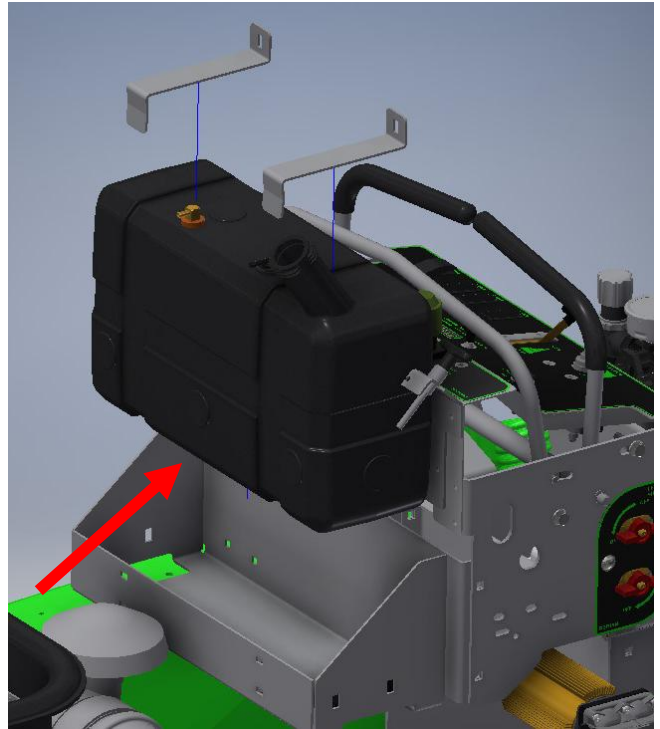
STEP THIRTEEN: Reinstall the fuel tank.

CAUTION!

- Beware of excess fuel in the lines.
- Fuel spillage.

WARNING!

- Flammable gas.



STEP FORTEEN: Reconnect the battery, *power wire* first along with the *pump power wire* from the wiring harness, and then reconnect the *ground wire*.



GROUND

POWER

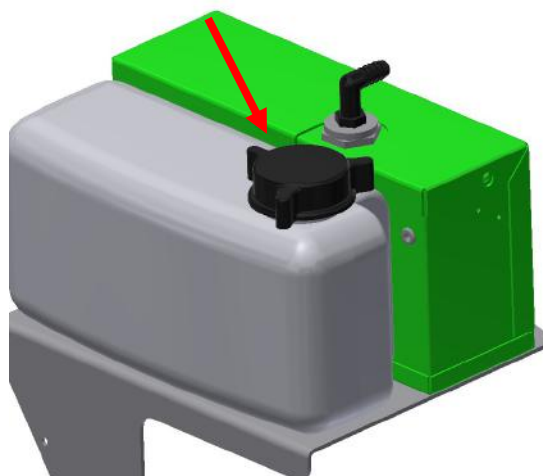
1 GAL. FOAM MARKER ASSEMBLY INSTRUCTIONS

OPERATION

FILLING THE TANK

CAUTION!

- *Wear safety goggles & all proper clothing when operating, servicing or refilling this machine.*
 - *Always read & follow manufactures recommendations when handling any chemical.*
 - *Do not pump combustible liquids or vapors with this product.*
 - *When filling the tank, add WATER FIRST and then FOAMING AGENT.*
- Be sure the power is off and remove the cap from the top of the tank.
 - Starting with a small amount of water (2 gal.), mix the foam concentrate according to the label directions on the foaming agent. If considerably more concentrate is needed above the manufacturer's suggested ratio (usually 2-5 ounces per gallon) to produce good foam, use of a softener or soft water may be required. If the foam is too stiff or (dry), it may surge out at irregular intervals. Under this condition. Add water until the foam becomes more wet.
 - Replace the cap on the tank.



NOTE: *Mixing foam takes some experience. Different water sources may require different amounts of concentrate to obtain the desired foam density. Water hardness, pH, and impurities will affect the rate of concentrate required for a consistent, long-lasting foam.*

Different conditions may require different mixing ratios to produce desirable results. It's worthwhile to determine the proper foam/water mixing ratio for your water source with the initial filling. Doing so will save time in the future and aid in consistent foam quality.

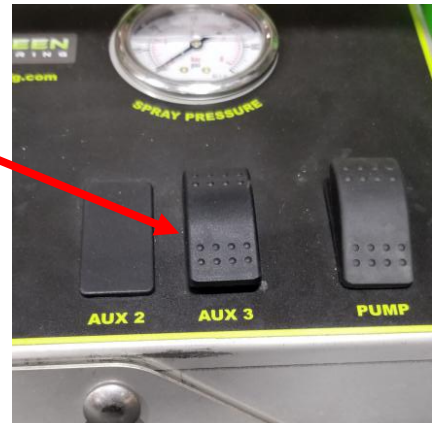
If hard water is a problem, commercial softening agents are available. You can make your own softening agent by dissolving a commercial water softening powder (available at most grocery stores) in hot water and adding a portion of the mixture to your tank each time you fill. Experimentation will reveal the correct amount to use. A good starting point is 1-1/2 ounces per gallon of water.

Mix ratios for foam concentrates advertised as 80:1 or 160:1 must be adjusted for use with your water. Such ratios are only a guideline.

Heat, humidity, & wind will also affect the life of the foam. Using a good quality marking agent, such as RUNWAY, may be very important. Liquid dish detergent also works in the foam marker system. You will have to experiment with detergents before using on any special turf applications.

1 GAL. FOAM MARKER ASSEMBLY INSTRUCTIONS

- Start the machine and activate the foam marker and let it prime until it starts dropping suds.



TROUBLE SHOOTING

PROBLEM	SOLUTION
NOT ENOUGH FOAM	<ul style="list-style-type: none"> • ADD MORE FOAM CONCENTRATE TO THE TANK. • CHECK FOR HOLES IN THE AIR LINE. • CHECK FOR PINCHED AIR OR LIQUID LINES. • CLEAN SCREEN-STRAINER/FOAM HEAD. • ADJUST THE LIQUID FLOW CONTROL VALVE.
WET FOAM	<ul style="list-style-type: none"> • ADD MORE FOAM CONCENTRATE TO THE TANK. • CLEAN SCREEN-STRAINER/FOAM HEAD. • REDUCE LIQUID FLOW
FOAM IS SURGING	USE LESS CONCENTRATE.
FOAM DOES NOT LAST LONG ON THE GROUND	<ul style="list-style-type: none"> • ADD MORE FOAM CONCENTRATE TO THE TANK. • USE A HIGH QUALITY FOAM CONCENTRATE LIKE RUNWAY. • USE COLLECTOR HEADS.
BLOWING FOAM IN WENDY WEATHER	<ul style="list-style-type: none"> • USE LESS CONCENTRATE TO MAKE WETTER FOAM. • ADD MORE WATER TO FOAM SOLUTION • INCREASE THE LIQUID FLOW.



MADE IN THE USA

Steel Green Mfg.
920 S State Road 39
Lebanon, IN 46052
(756)-481-2890
www.steelgreenmfg.com

1 GALLON FOAM MARKER KIT P10011