



## INSTRUCTION MANUAL

### 6 NOZZLE SPRAY BOOM

Models: SG46, & SG52



## 6 NOZZLE SPRAY BOOM ASSEMBLY

### CAUTION!

*Before attempting any of the following, be sure there is no spray pressure and all 3 valves are closed.*



### WARNING!

*Beware of excess fluid in the lines and splash.*

#### STEP ONE:

- Loosen the hose clamp and disconnect the right side spray hose from the boom.

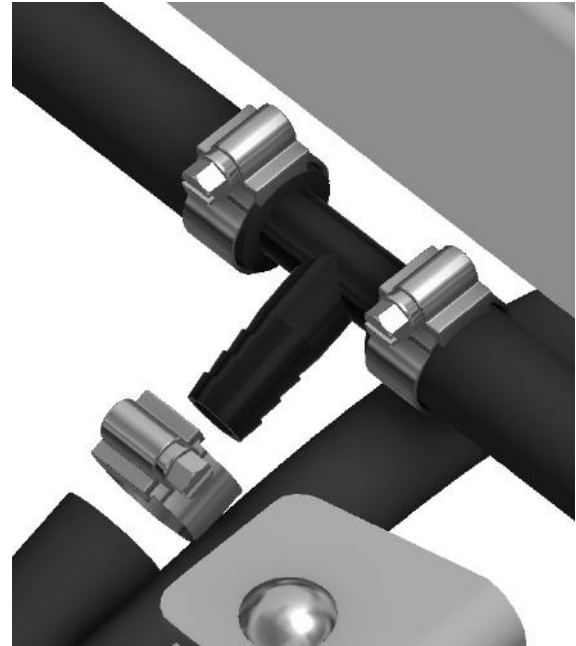


## 6 NOZZLE SPRAY BOOM ASSEMBLY

- Loosen the hose clamp and disconnect the left side spray hose from the boom.



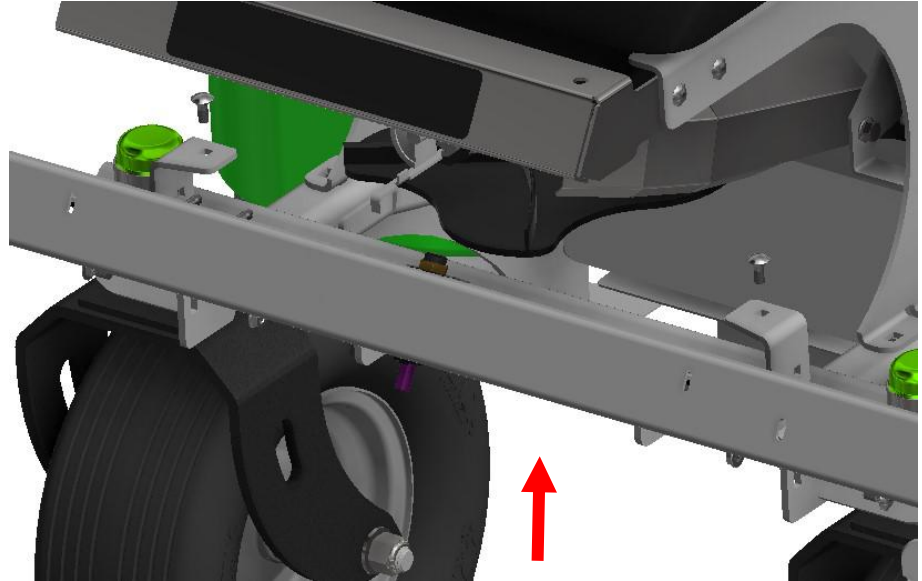
- Loosen the hose clamp and disconnect the center spray hose from the "tee fitting" on the boom.
- Once all three hoses have been disconnected, feed the right & left side hoses out of the spray boom.



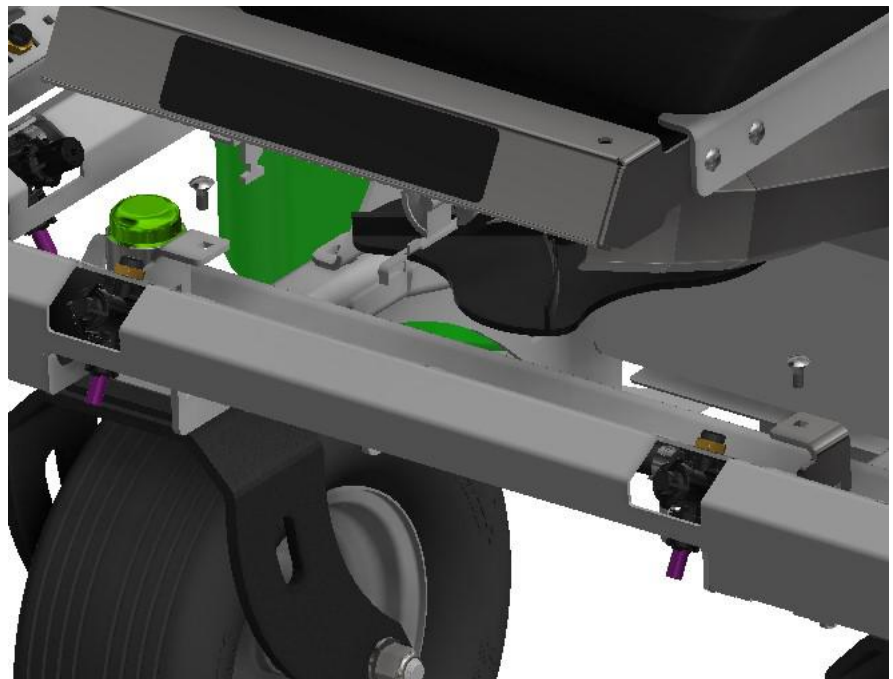
## 6 NOZZLE SPRAY BOOM ASSEMBLY

### STEP TWO:

- Remove the 4 bolts and spray boom from the frame.



- Attach the 6 nozzle spray boom to the frame.

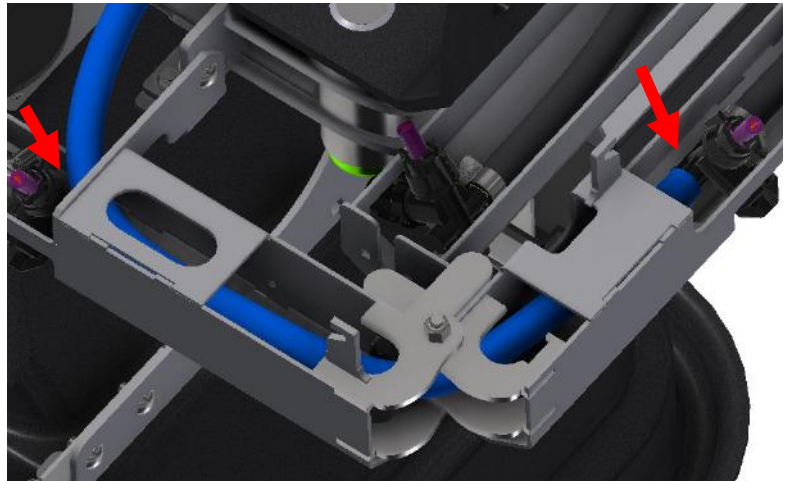


## 6 NOZZLE SPRAY BOOM ASSEMBLY

**NOTE:** *Instructions are the same for right & left sides.*

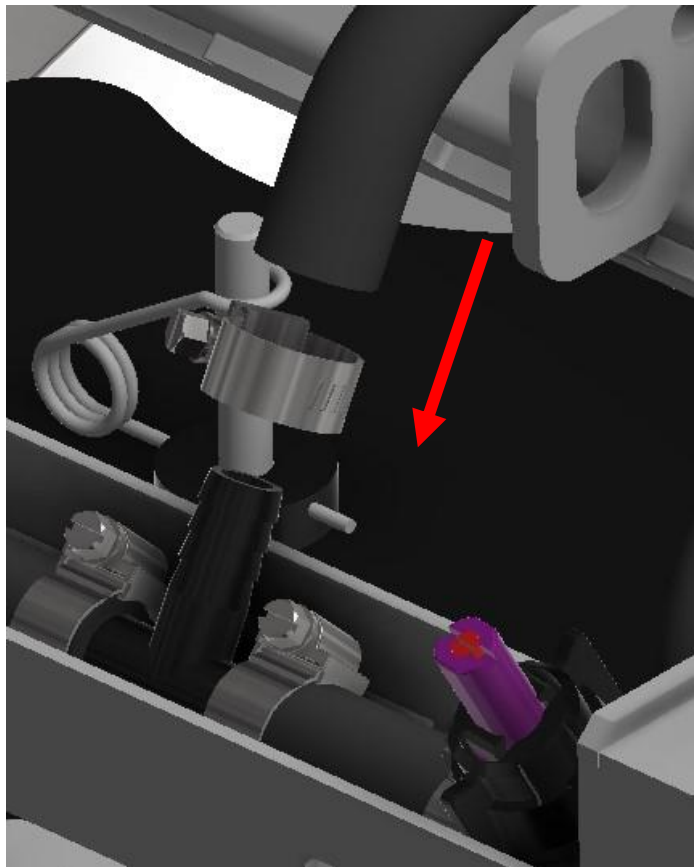
### STEP THREE:

- Feed and route the left and right hoses through the spray boom.
- Connect the hose to the spray nozzle and securely fasten with hose clamp.



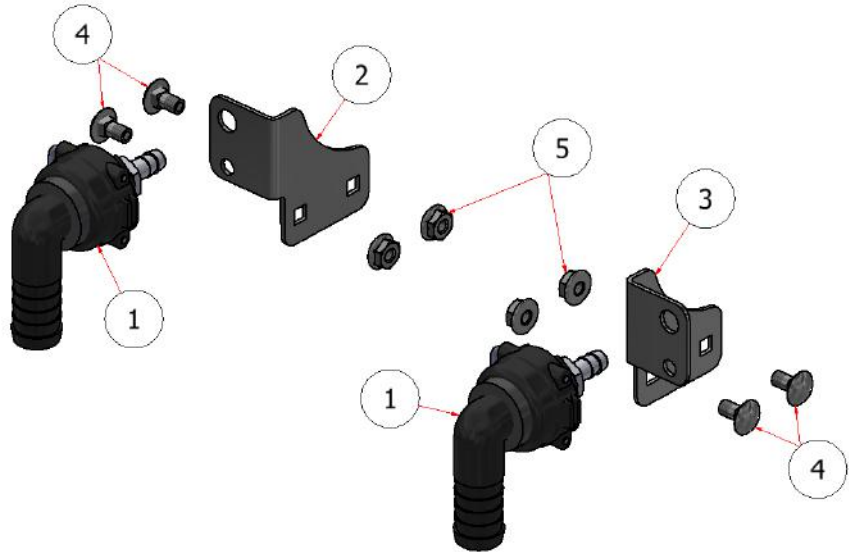
**BOTTOM VIEW**

**STEP FOUR:** Connect the center hose to the “tee fitting” on the spray boom and securely fasten with hose clamp.



## 6 NOZZLE SPRAY BOOM ASSEMBLY

### FOAM MARKER OPTION

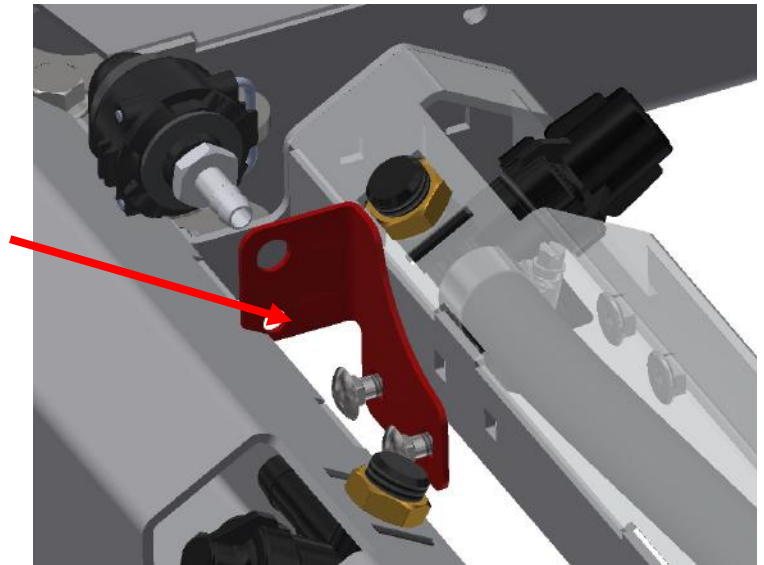


6 NOZZLE SPRAY BOOM DROPPER ASSY			
ITEM	QTY	PART NUMBER	DESCRIPTION
1	2	901699	DROPPER, FOAM MARKER
2	1	R22-149	BRACKET, FOAM MARKER, 6 NOZZLE BOOM
3	1	R22-149_MIR	BRACKET, FOAM MARKER, 6 NOZZLE BOOM, LEFT
4	4	CB-145SS	CARRIAGE BOLT, 1/4 X 1/2
5	4	HFNCS-14SS	HEX FLANGE NUT, 1/4-20

Attach the foam marker bracket to the end of the boom.

#### NOTE:

- Repeat this step for the other side.
- Note the orientation of the bracket for left and right side.
- Please see 2.5 gal. foam marker manual for dropper attachment, plumbing, & operation.



### 6 NOZZLE BOOM OPTION

#### LEFT SIDE

## 6 NOZZLE SPRAY BOOM ASSEMBLY

### OPERATION:

- The 6 nozzle boom is divided the same: Center, left, and right (Fig 1).
- The main controls are the same: Left, center, right valves (Fig 2).

**NOTE:** *The spray boom can also be operated with 4 nozzles by turning the valves off located on the spray nozzles (Fig. 3).*

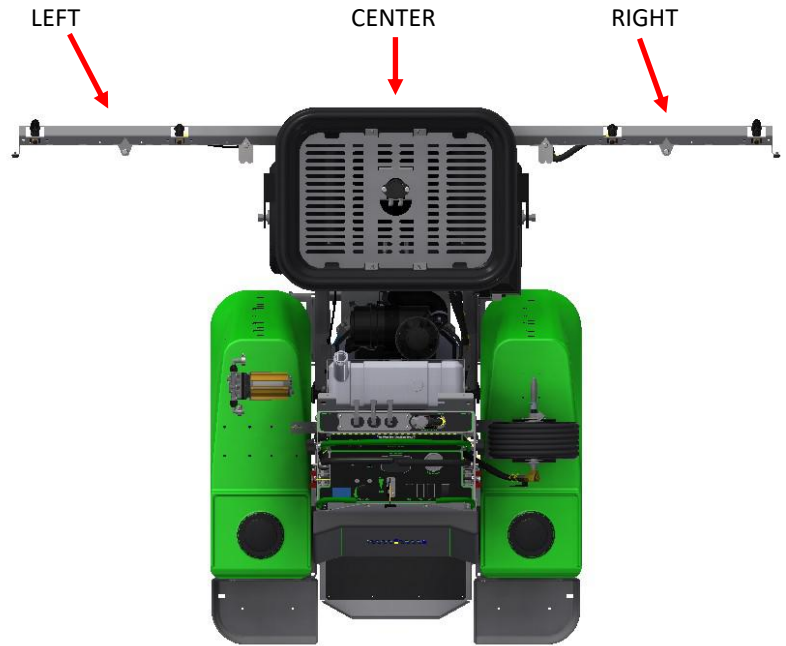


Fig. 1

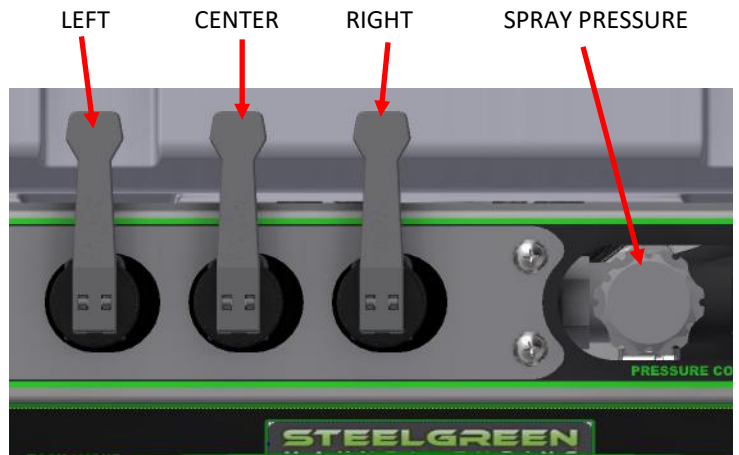


Fig. 2

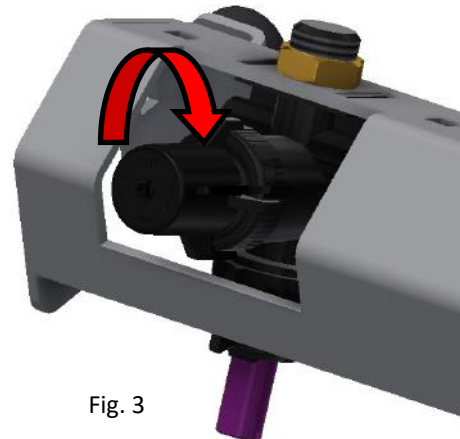


Fig. 3



**MADE IN THE USA**

Steel Green Mfg.  
920 S State Road 39  
Lebanon, IN 46052  
(756)-481-2890  
[www.steelgreenmfg.com](http://www.steelgreenmfg.com)

6 NOZZLE BOOM