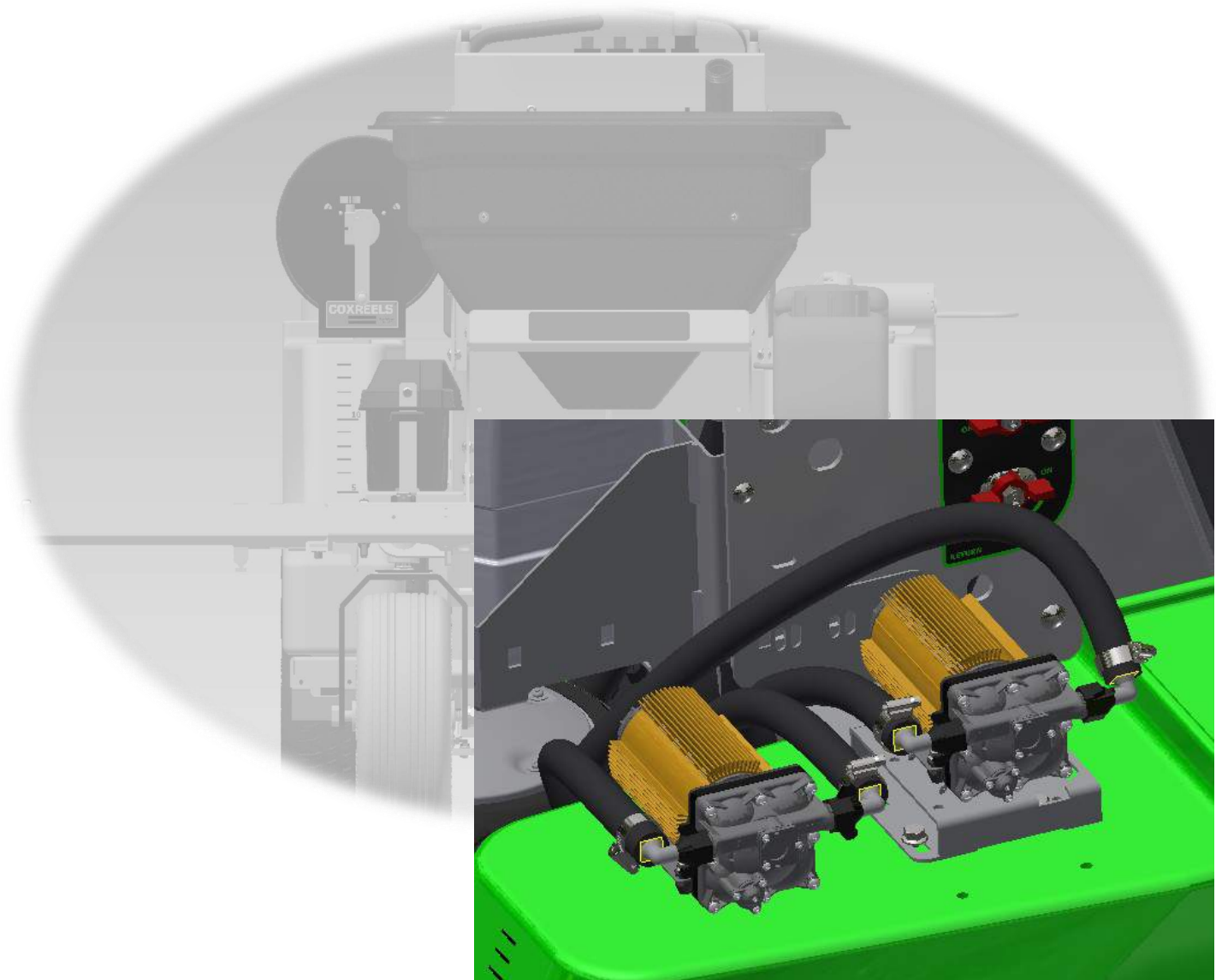


INSTRUCTION MANUAL

DOUBLE SPRAY PUMP

Models: SG36, SG42, SG46, & SG52



DOUBLE SPRAY PUMP INSTALLATION

CAUTION!

Before beginning any of the following instructions BESURE all the tanks have been drained

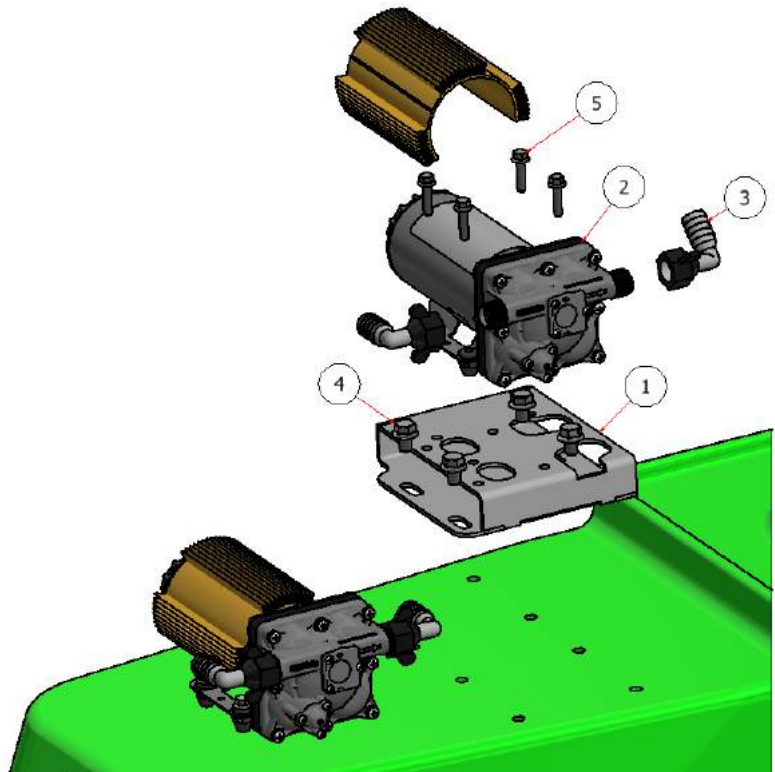
STEP ONE: Disconnect the battery, *ground* first and then *power* wire.



GROUND

POWER

STEP TWO: Attach the second pump to the tank.



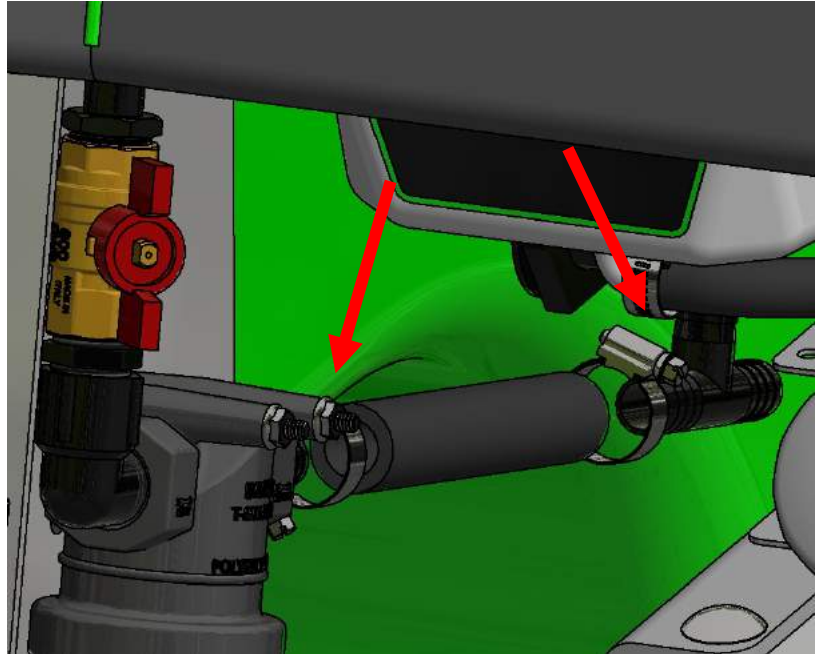
SPRAY PUMP PARTS LIST P60004

ITEM	QTY	PART NUMBER	DESCRIPTION
1	1	W21-100	MOUNTING BRACKET, SPRAY PUMP
2	1	5059-3611-D011	PUMP, SHURFLO
3	2	S54102	PUMP FITTING, BARB, ELBOW
4	4	HFSSC-3812	HEX BOLT, 3/8 X 1/2
5	4	HFSSC-141	BOLT, HEX, 1/4 X 1

DOUBLE SPRAY PUMP INSTALLATION

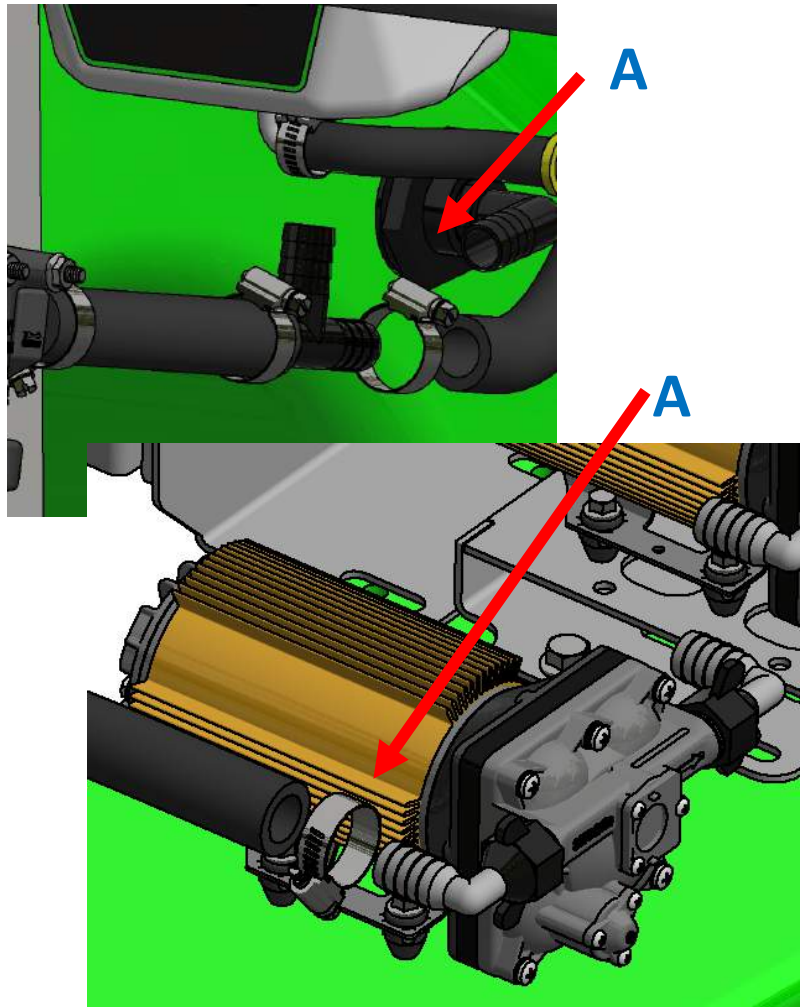
STEP THREE:

- Cut 3/4" suction hose 6-3/4" long.
- Connect the hose to the strainer "inlet port" and (S50062) 3-way "barb tee" to the other end.
- Securely fasten with 12HS hose clamps.



STEP FOUR:

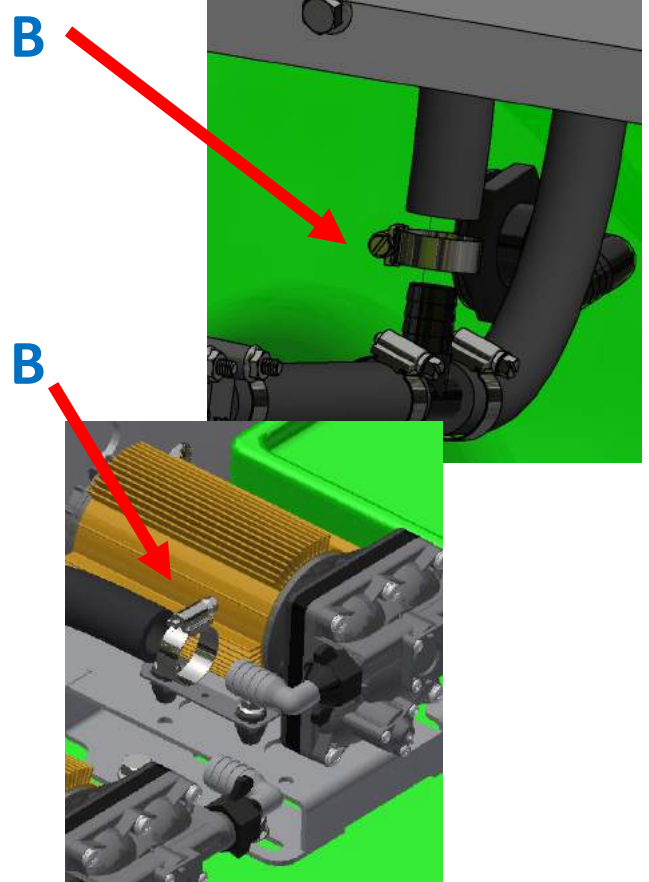
- Cut 3/4" suction hose 27" long.
- Connect one end of the hose to the "barb" tee fitting and the other end to the "inlet port" of the spray pump 1.
- Securely fasten with 12HS hose clamps.



DOUBLE SPRAY PUMP INSTALLATION

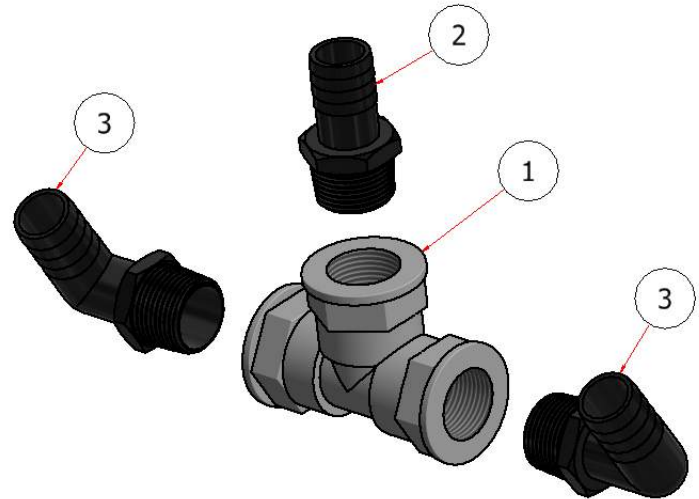
STEP FIVE:

- Cut 3/4" suction hose 22" long.
- Connect one end of the hose to the "barb" tee fitting and the other end to the "inlet port" of spray pump 2.
- Securely fasten with 12HS hose clamps.



STEP SIX: Assemble the tee fitting assembly as shown.

NOTE: Angle the S52029 elbow fittings as needed.



PARTS LIST			
ITEM	QTY	PART NUMBER	DESCRIPTION
1	1	S52006	TEE, BANJIO, 3/4
2	1	S52015	3/4" MNPT X 3/4" BARB
3	2	S52029	BARB, 3/4 MPT x 3/4 BARB 90

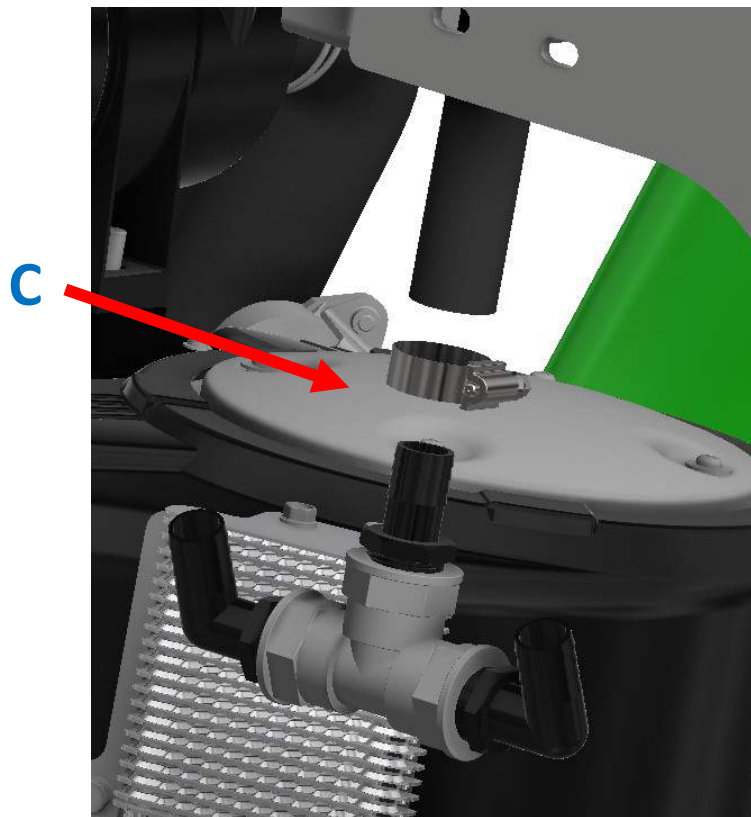
DOUBLE SPRAY PUMP INSTALLATION

STEP SEVEN:

- Cut 3/4" return hose 16" long.
- Connect one end of the hose to the spray manifold inlet barb fitting



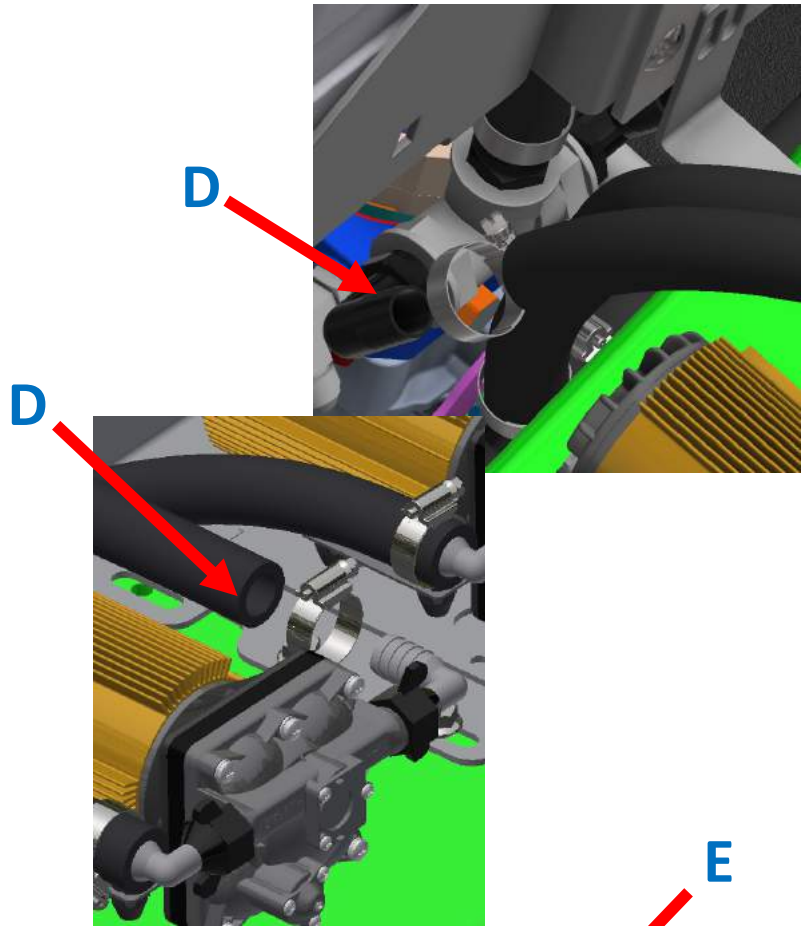
- Connect the tee fitting assembly to the other end.
- Securely fasten with 12HS hose clamps.



DOUBLE SPRAY PUMP INSTALLATION

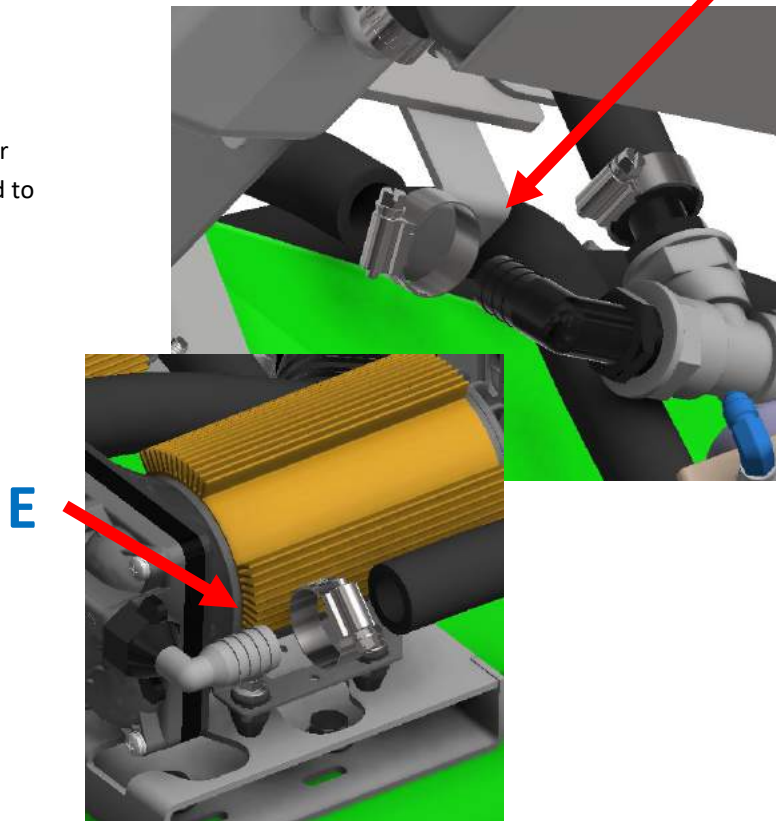
STEP EIGHT:

- Cut 3/4" return hose 14" long.
- Connect one end of the hose to the front elbow fitting and the other end to the "outlet port" of spray pump 1.



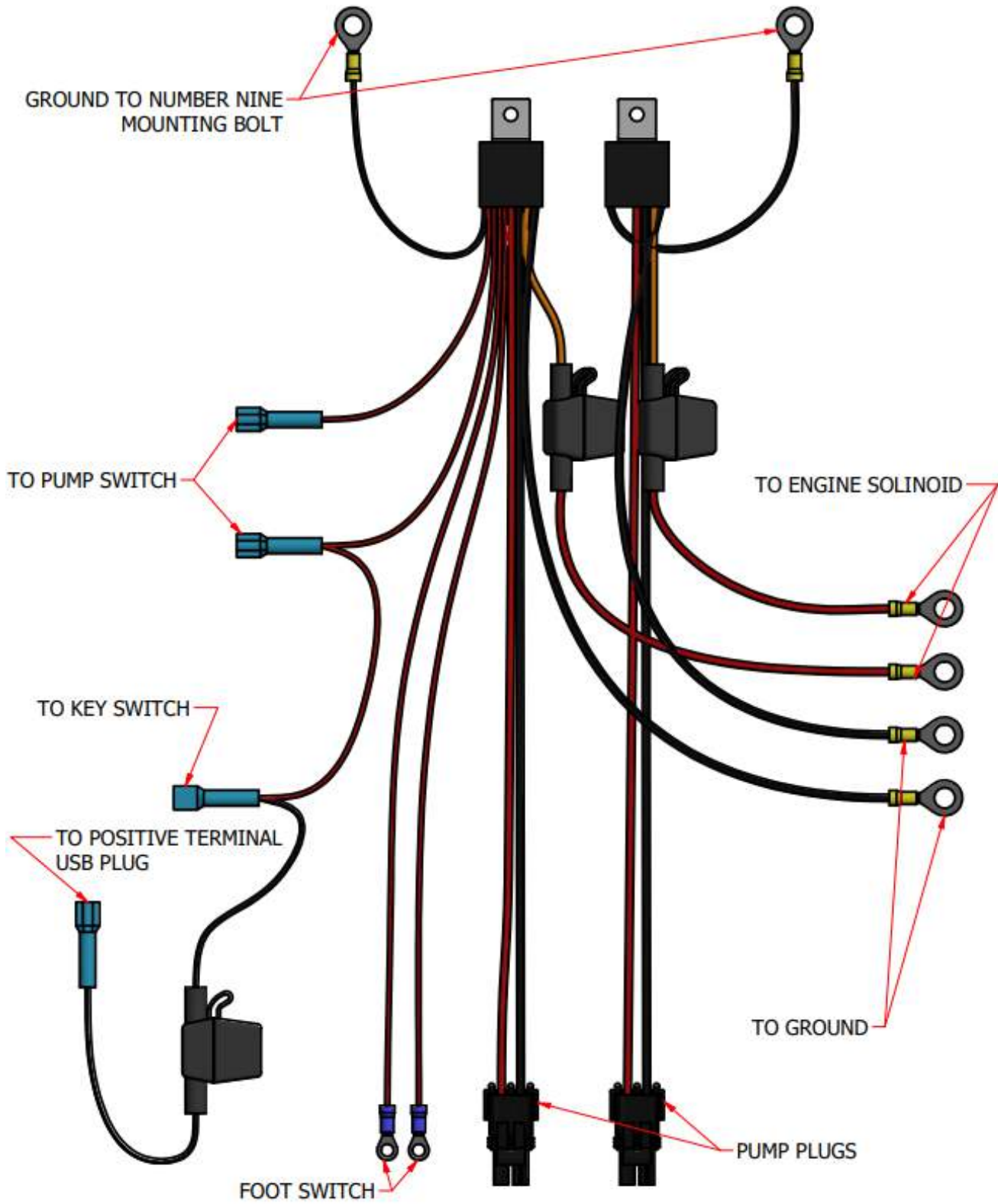
STEP NINE:

- Cut 3/4" return hose 16" long.
- Connect one end of the hose to the rear elbow fitting and connect the other end to the "outlet port" of spray pump 2.



DOUBLE SPRAY PUMP INSTALLATION

DUAL PUMP HARNESS (SG-FT-DUAL)

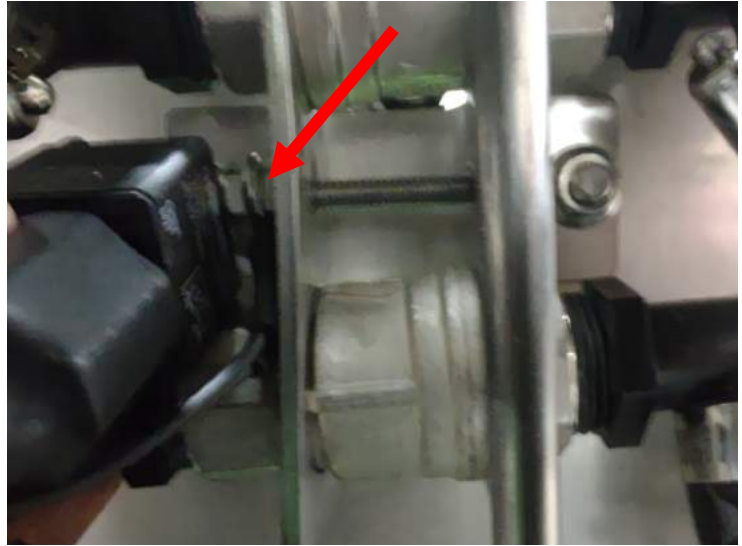


DOUBLE SPRAY PUMP INSTALLATION

NOTE: Before starting the following steps the existing pump wiring harness will need to be removed.

STEP TEN:

- Attach the harness relay ground wires to the nut on the suction\return valve assembly on the “right side”.

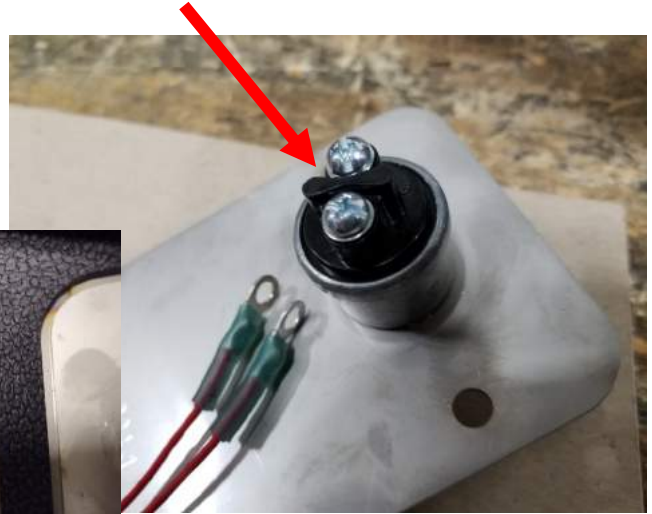


- Secure the relay end of the harness to the suction hose with zip ties.



DOUBLE SPRAY PUMP INSTALLATION

STEP ELEVEN: Route the wires for the foot switch down the upright with the existing bundle, through the hole in the foot board and connect them to the foot switch.



STEP TWELVE: Connect the pump power switch wires to the “rocker switch”



DOUBLE SPRAY PUMP INSTALLATION

STEP THIRTEEN: Connect the wire for the key switch.



STEP FORTEEN: Connect the “fused” connector to the positive terminal on the usb port.

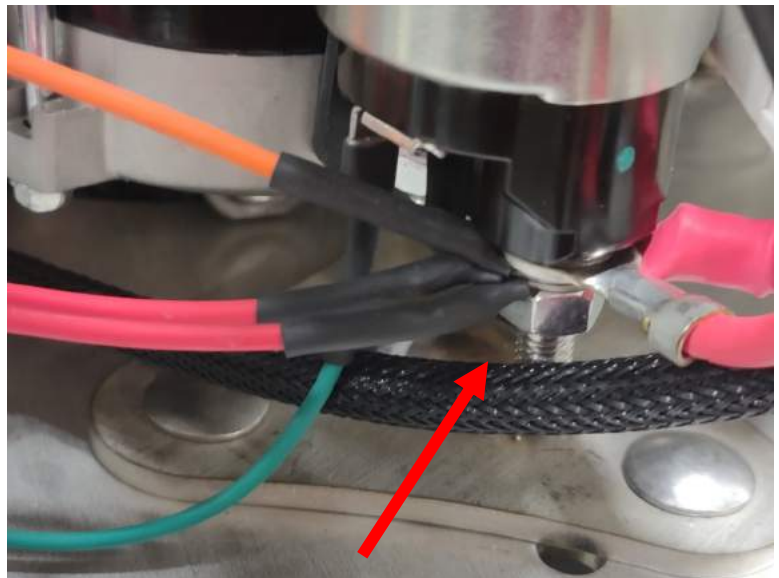


DOUBLE SPRAY PUMP INSTALLATION

STEP FIFTEEN: Connect the #9 ground wires to the upright cross member.



STEP SIXTEEN: Connect the red power wires to the engine solenoid.



DOUBLE SPRAY PUMP INSTALLATION

STEP SEVENTEEN:

- Connect both pump plugs to the harness .
- Zip tie the plugs to the suction hose as shown.

NOTE: Check the harness and make sure it is neatly routed and zip tied away from moving and hot parts..



STEP EIGHTEEN:

- Reconnect the battery cables, power cable and wires first followed by the ground wire.
- Connect the power and ground cables from the harness.
- Attach the battery box cover and bungee strap.



GROUND

POWER



MADE IN THE USA

Steel Green Mfg.
920 S State Road 39
Lebanon, IN 46052
(756)-481-2890
www.steelgreenmfg.com

DOUBLE SPRAY PUMP KIT: P60004