

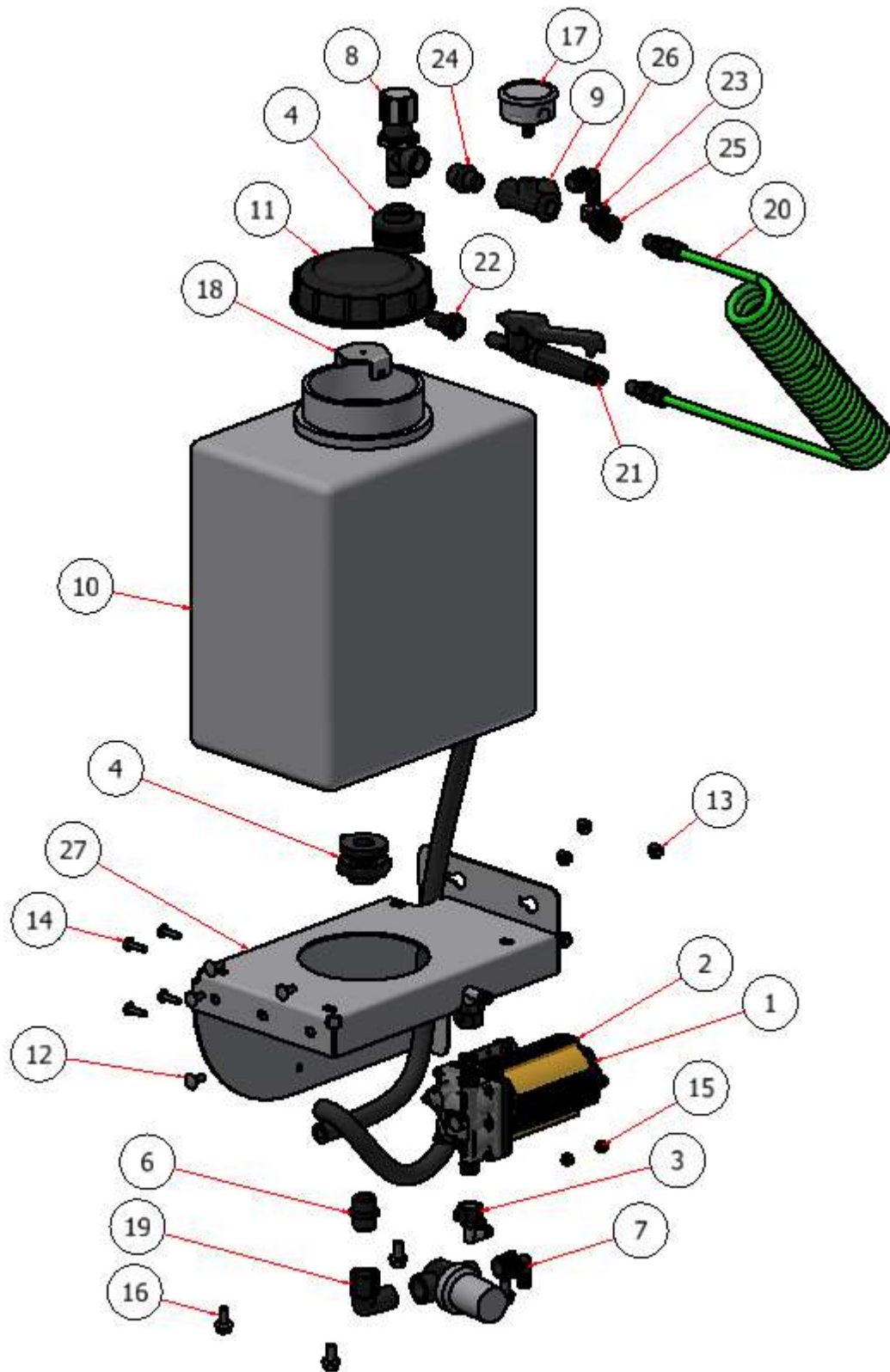
INSTRUCTION MANUAL

7 GAL. INDEPENDENT SPRAYER

Models: SG36, SG42



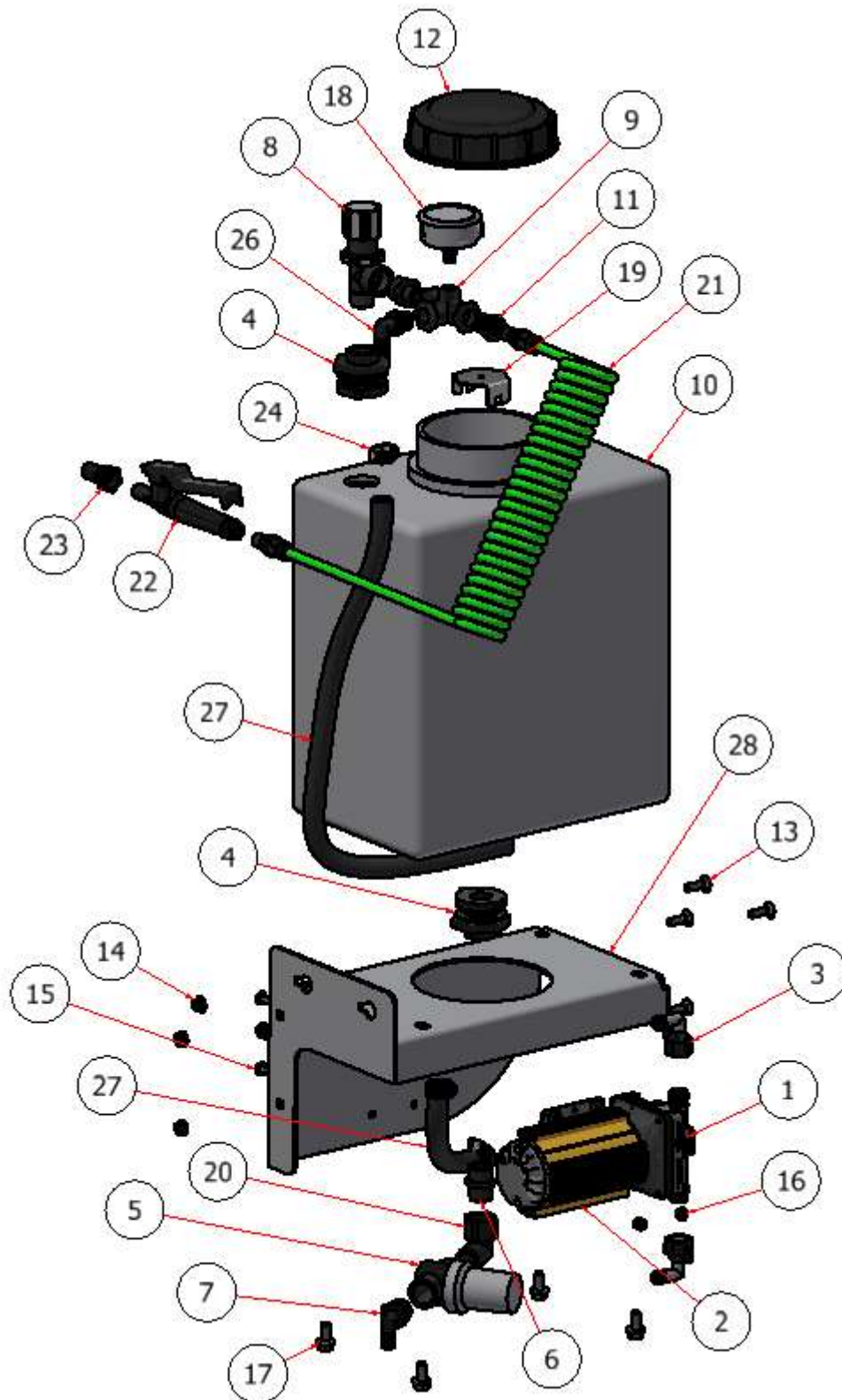
7 GAL. INDEPENDENT SPRAYER EXPLODED VIEW \ RIGHT SIDE



7 GAL. INDEPENDENT SPRAYER EXPLODED VIEW \ RIGHT SIDE

PARTS LIST			
ITEM	QTY	PART NUMBER	DESCRIPTION
1	1	S54000	PUMP, SHURFLO
2	1	S54120	HEAT SINK, SPRAY PUMP
3	2	S54103	PUMP FITTING, BARB, ELBOW, 1/2 X 1/2
4	2	S51242	BULKHEAD FITTING, TANK
5	1	S51270	SPRAY FILTER
6	1	S52063	3/4 X 3/4 ST
7	1	S52028	ELBOW, 3/4 X 1/2 BARB
8	1	S51283	VALVE, THROTTLING
9	1	S52000	TEE, PIPE, 3/4 WITH GAUGE PORT
10	1	M10007-R-IND	TANK, 7 GALLON
11	1	S51243	CAP, TANK
12	4	CB-51634	CARRIAGE BOLT, SS - 5/16-18 x 3/4
13	4	HFNCS-516S	HEX FLANGE NUT, SS - 5/16-18
14	4	TRPC-141S	PHILLIPS SCREW, SS - 1/4-20 x 1
15	4	SSNNC-14	NYLOCK, SS - 1/4-20
16	4	HFSSC-3875	HEX BOLT, 3/8 X 3/4
17	1	S51234-D	PRESSURE GAUGE, 60 PSI
18	1	R21-113	ANTI VORTEX PLATE
19	1	S52041	90 ELBOW, 3/4 MNPT X 3/4 FNPT
20	1	S53019	HOSE, COIL
21	1	S51260	HANDLE, SPRAY
22	1	S51261	NOZZLE, SPRAY
23	4	MS4	HOSE CLAMP, 3/8
24	1	S52064	3/4 X 1/2 REDUCER
25	1	S52050	1/2 X 1/4
26	1	S52025	1/2 MPT X 1/2 BARB
27	1	R22-164-R	TANK SUPPORT.7 GAL., RIGHT SG36

7 GAL. INDEPENDENT SPRAYER EXPLODED VIEW \ LEFT SIDE

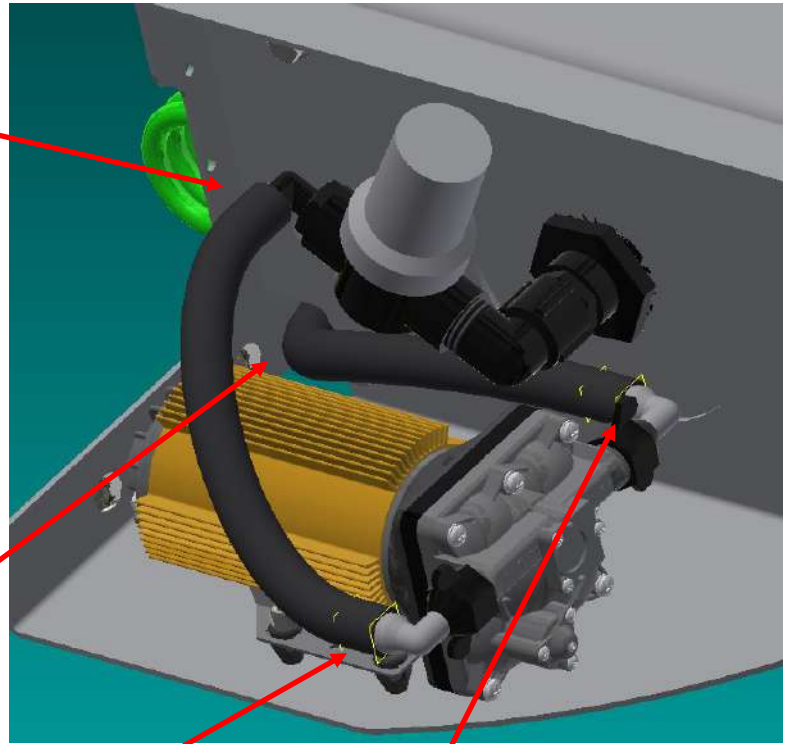


7 GAL. INDEPENDENT SPRAYER EXPLODED VIEW \ LEFT SIDE

PARTS LIST			
ITEM	QTY	PART NUMBER	DESCRIPTION
1	1	S54000	PUMP, SHURFLO
2	1	S54120	HEAT SINK, SPRAY PUMP
3	2	S54103	PUMP FITTING, BARB, ELBOW, 1/2 X 1/2
4	2	S51242	BULKHEAD FITTING, TANK
5	1	S51270	SPRAY FILTER
6	1	S52063	3/4 X 3/4 ST
7	1	S52028	ELBOW, 3/4 X 1/2 BARB
8	1	S51283	VALVE, THROTTLING
9	1	S52000	TEE, PIPE, 3/4 WITH GAUGE PORT
10	1	M10007-R-IND 36	
11	1	S52050	1/2 X 1/4
12	1	S51243	CAP, TANK
13	4	CB-5161SS	CARRIAGE BOLT, SS - 5/16-18 x 1
14	4	HFNCS-516S	HEX FLANGE NUT, SS - 5/16-18
15	4	TRPC-141S	PHILLIPS SCREW, SS - 1/4-20 x 1
16	4	SSNNC-14	NYLOCK, SS - 1/4-20
17	4	HFSSC-3875	HEX BOLT, 3/8 X 3/4
18	1	S51234-D	PRESSURE GAUGE, 60 PSI
19	1	R21-113	ANTI VORTEX PLATE
20	1	S52041	90 ELBOW, 3/4 MNPT X 3/4 FNPT
21	1	S53019	HOSE, COIL
22	1	S51260	HANDLE, SPRAY
23	1	S51261	NOZZLE, SPRAY
24	4	MS4	HOSE CLAMP, 3/8
25	1	S52064	3/4 X 1/2 REDUCER
26	1	S52025	1/2 MPT X 1/2 BARB
27	1	S55003	1/2 HOSE
28	1	R22-164	TANK SUPPORT.7 GAL., LEFT SG36

7 GAL. INDEPENDENT HOSE ROUTING

TANK SUCTION



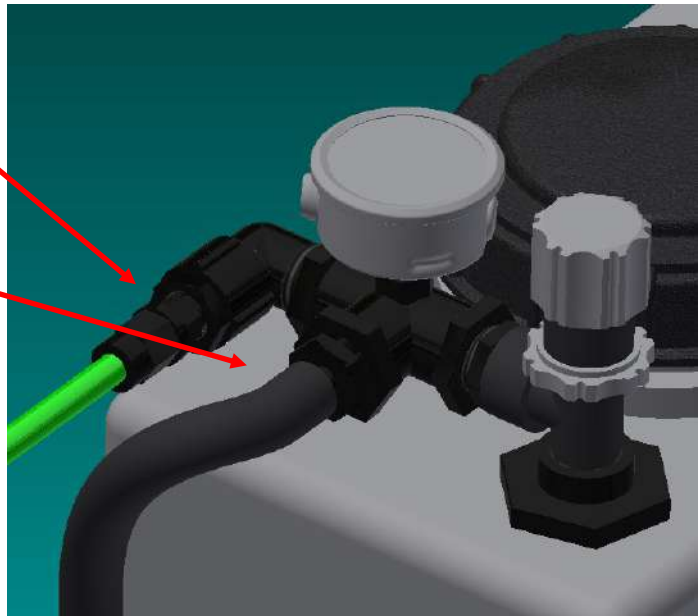
NOTE: *The return hose is routed through the opening in the bracket.*

PUMP "INLET" (SUCTION)

PUMP "OUTLET"

COIL SPRAY HOSE

RETURN HOSE FROM THE PUMP



7 GAL. INDEPENDENT SPRAYER ASSEMBLY INSTRUCTIONS

STEP ONE: Disconnect the battery, *ground* first and then *power* wire.

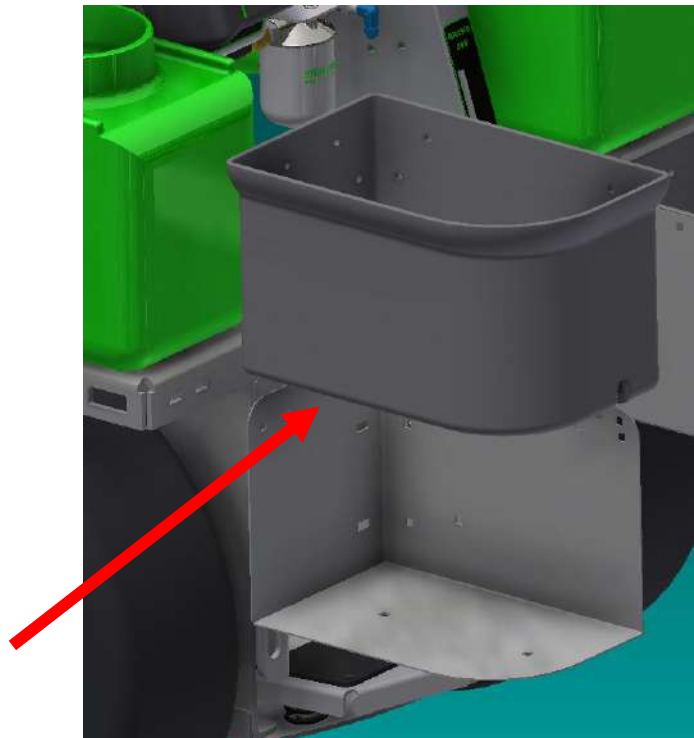


GROUND

POWER

STEP TWO: Remove existing storage container and support bracket from the frame.

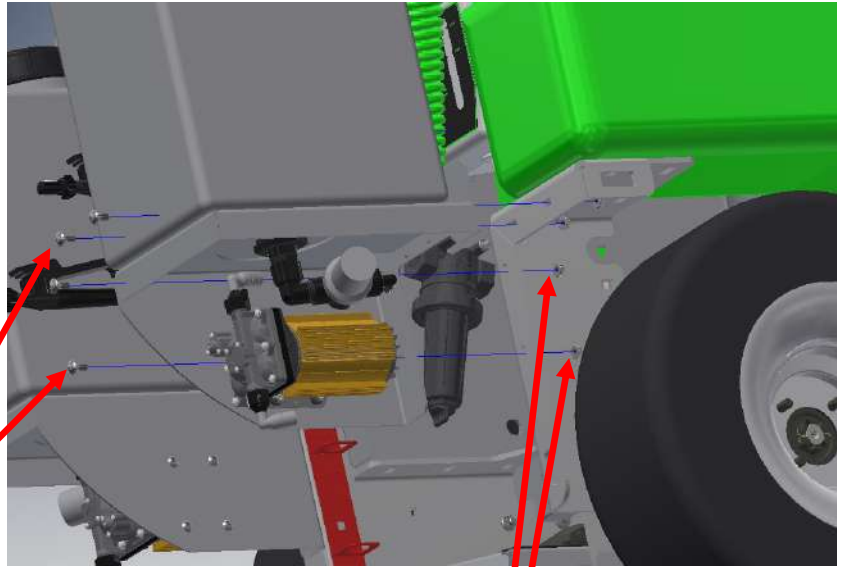
NOTE: Instructions are the same for the right and left side.



7 GAL. INDEPENDENT SPRAYER ASSEMBLY INSTRUCTIONS

STEP THREE: Install the independent sprayer to the frame as shown.

NOTE: *Instructions are the same for the right and left side.*



Carriage bolts CB-51634 qty. (4)

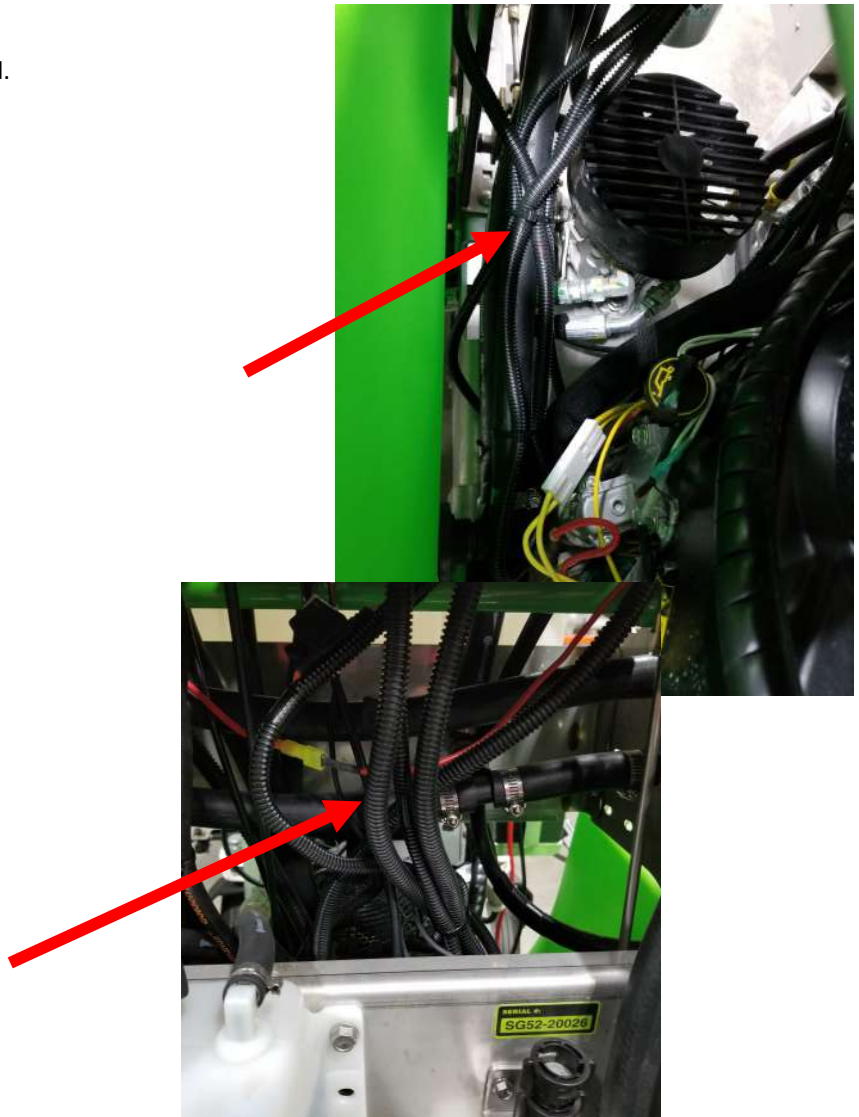
Hex nuts HFNCS-516S qty. (4)

STEP FOUR: Connect the “pump” wiring harness to the pump plug and route the harness between the tank and upright.

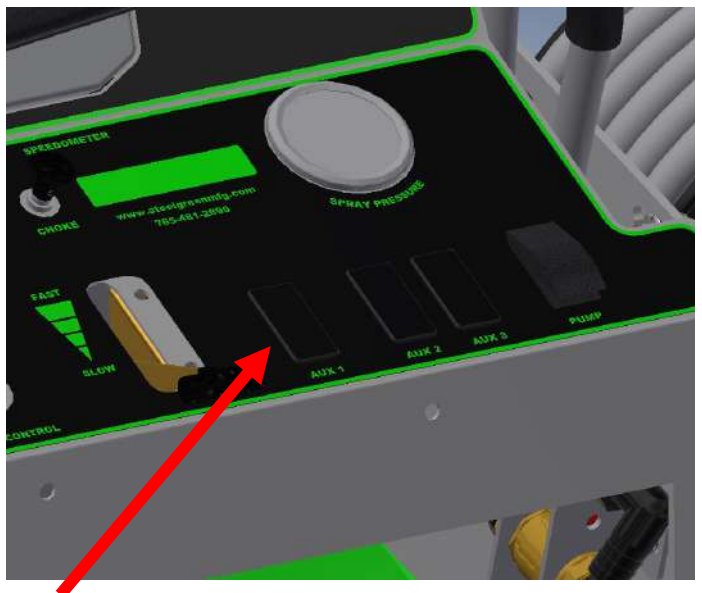


7 GAL. INDEPENDENT SPRAYER ASSEMBLY INSTRUCTIONS

STEP FIVE: Route the “pump” wiring harness along the frame and upright to the control panel.



STEP SIX: Remove the plastic cap from “Aux 1” in the panel and route the switch connector of the “pump” wiring harness through the hole in the panel.



7 GAL. INDEPENDENT SPRAYER ASSEMBLY INSTRUCTIONS

STEP SEVEN: Connect the “pump” wiring harness to the “20A” side of the rocker switch.



STEP EIGHT: Connect the ground wire from the “pump” wiring harness to the up right cross member.



7 GAL. INDEPENDENT SPRAYER ASSEMBLY INSTRUCTIONS

STEP NINE: Connect the “pump power” wiring harness to the other side of the rocker switch.



STEP TEN: Install the rocker switch in the control panel and route the “pump power” wiring harness down the up right, along the frame to the battery.



7 GAL. INDEPENDENT SPRAYER ASSEMBLY INSTRUCTIONS

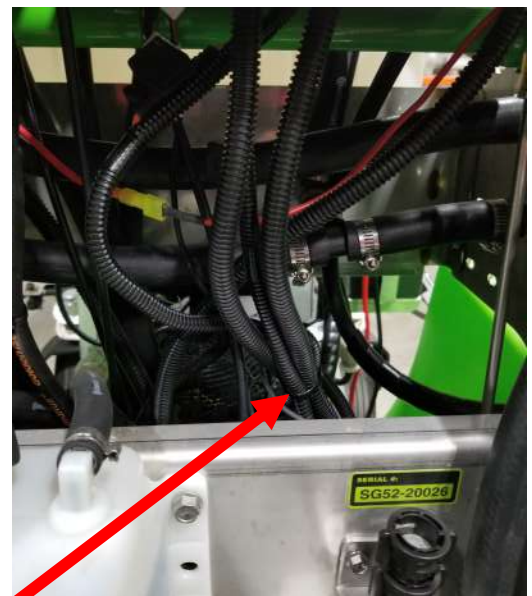
STEP ELEVEN: Reconnect the battery *power wire* first along with the *pump power wire* from the wiring harness, and then reconnect the *ground wire*.



GROUND

POWER

STEP TWELVE: Once both harnesses are routed and connected, securely fasten them to the frame and existing harnesses in the up right with zip ties.





MADE IN THE USA

Steel Green Mfg.
920 S State Road 39
Lebanon, IN 46052
(765)-481-2890
www.steelgreenmfg.com

SG42\36 KIT P10031