



INSTRUCTION MANUAL

SNOW PLOW KIT Z-SPRAY INSTALLATION

Z-Spray is a registered trade mark of the Toro company

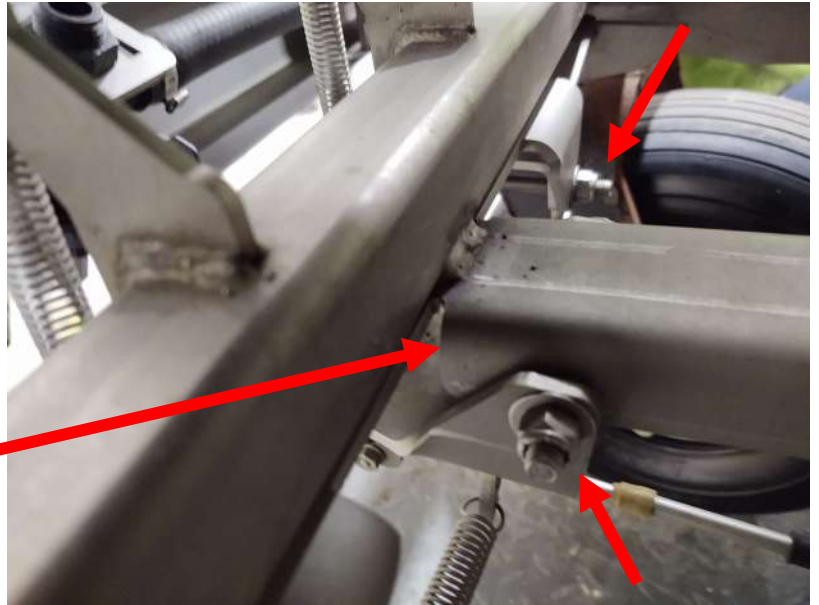


SNOW PLOW KIT Z-SPRAY INSTRUCTIONS

STEP ONE:

- Remove the locking caster assembly by removing the bolts from the center brace and left , right wings.

CENTER BRACE



- Once the locking caster assembly has been removed, cut and remove the center brace.

CENTER BRACE (TOP VIEW)



SNOW PLOW KIT Z-SPRAY INSTRUCTIONS

STEP TWO:

ASSEMBLY TIP: Use a floor jack or block of wood to support the back of the plow hitch.

- Set the plow hitch in the frame by resting the front of the plow hitch on top of the front frame rail.

FRONT FRAME RAIL



- Remove the bolts in the frame and attach the plow hitch to the frame. Repeat the process for the right side.

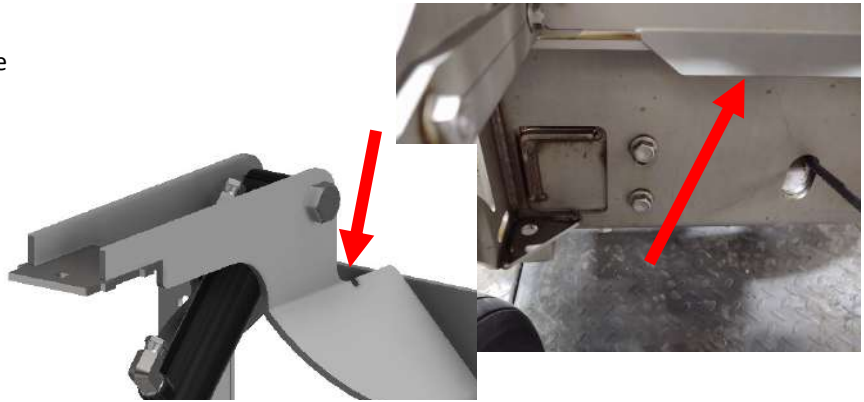


- Attach the front of the plow hitch to the front frame rail using the plate and 3/8" bolts provided with the kit.

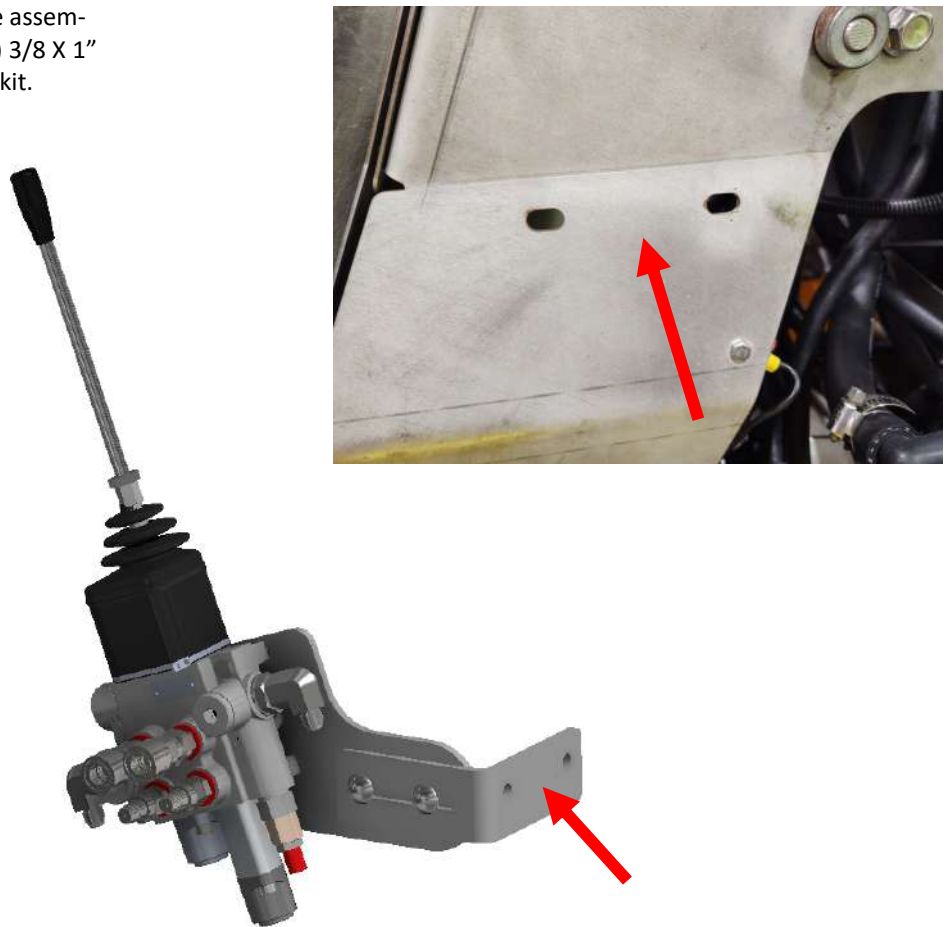


SNOW PLOW KIT Z-SPRAY INSTRUCTIONS

- After the hitch is tightened to the frame adjust the exhaust shield so it rests in the grooves of the plow hitch.



STEP THREE: Attach the control valve assembly to the side of the upright using (2) 3/8 X 1" hex bolts and nuts provided with the kit.



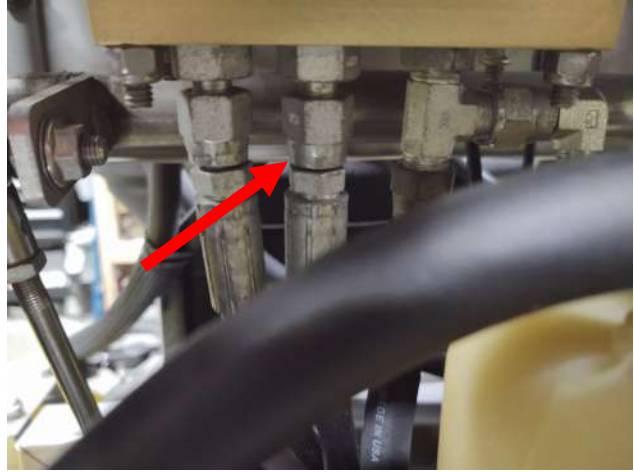
SNOW PLOW KIT Z-SPRAY INSTRUCTIONS

STEP FOUR:

- Locate the hose that runs from the bottom port of the hopper control valve down to the left pump.
- Disconnect each end of the hose and use the (2) 1/4" jic red plugs provided with the kit to cap the ends of the hose.

NOTE: Leave the hose zip tied in the bundle and tuck the ends out of the way.

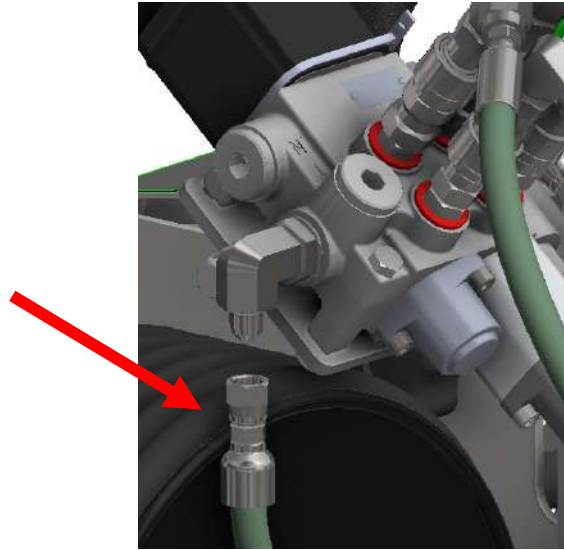
TIP: Disconnect the end from the hopper control valve first and hold the end of the hose up to prevent excess oil spillage. Then turn the end down into a container to drain the rest of the excess oil. Have a rag and or container ready to catch excess oil.



SNOW PLOW KIT Z-SPRAY INSTRUCTIONS

STEP FIVE:

- Using (1) of the 38" hoses provided with the kit, attach the end with the straight fitting to the return port of the control valve.



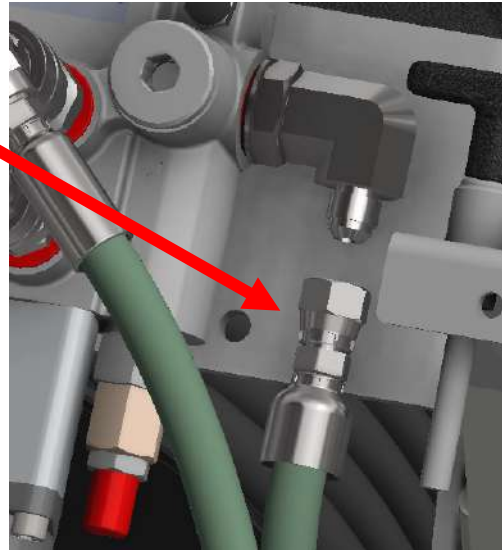
- Attach the other end of the hose to the input port of the hopper control valve. *(end with 90° fitting)*



SNOW PLOW KIT Z-SPRAY INSTRUCTIONS

STEP SIX:

- Using the other 38" hose provided with the kit, attach the end with the straight fitting to the supply port of the control valve.



- Attach the other end of the hose to the hydraulic pump. (*end with 90° fitting*)



SNOW PLOW KIT Z-SPRAY INSTRUCTIONS

STEP SEVEN:

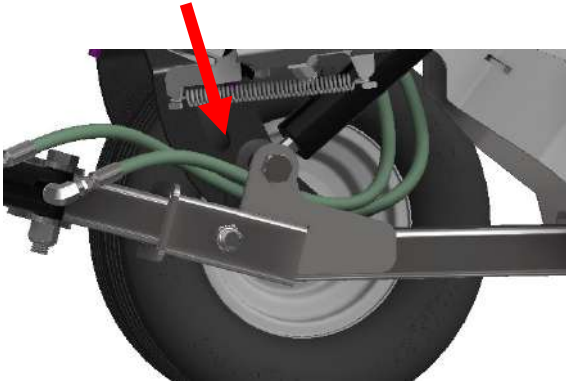
- Attach the snow plow to the hitch using (1) 5/8" X 3" bolt and nut provided with the kit.



STEP EIGHT:

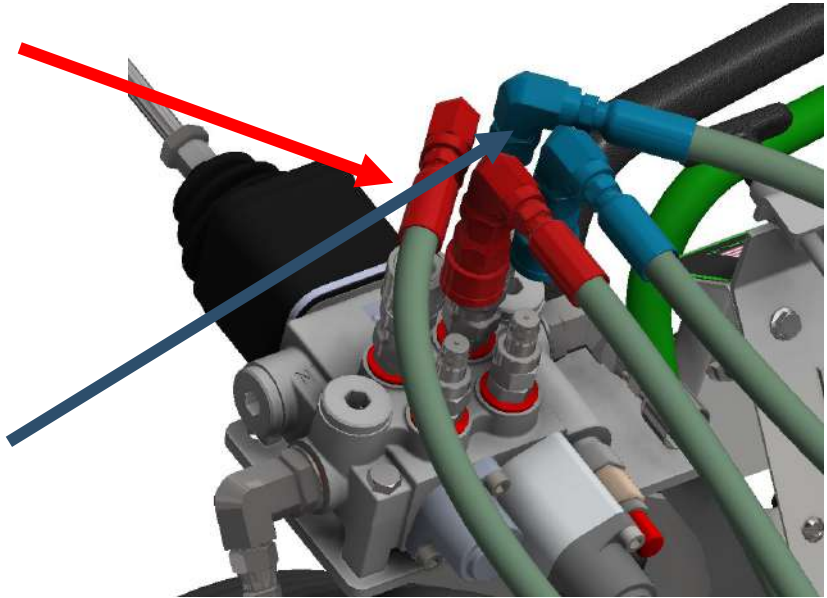
- Route the snow plow hoses under the lift cylinder, along the right side of the hopper, up over the battery and to the control valve.
- Route the hoses from the plow hitch along the right side of the hopper, up through the opening in the hopper shield, and to the control valve.

NOTE: Zip tie both hose assemblies away from any moving parts to prevent damage.



SNOW PLOW KIT Z-SPRAY INSTRUCTIONS

- Connect the hoses from the snow plow to *left side (ANGLE)* of the control valve.



- Connect the hoses from the plow hitch to the *right side (LIFT)* of the control valve.

STEP NINE:

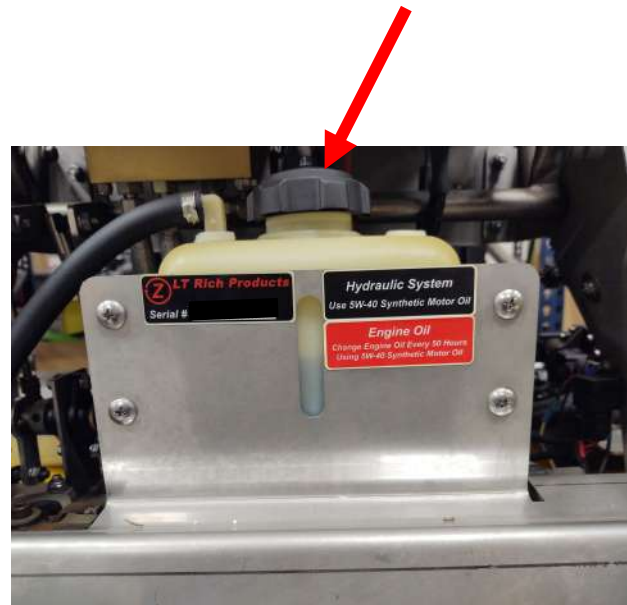
- Top off the hydraulic oil tank and start the machine.
- Operate the plow left/right and up/down.

NOTE: *The cylinders and control valve are empty so it will take a few cycles to fill them and get the air out of the system.*

CAUTION!

DO NOT let the machine run out of hydraulic oil

- Top off the oil tank as it gets low, it should take approx. (2) quarts.



SNOW PLOW KIT Z-SPRAY INSTRUCTIONS

STEP TEN:

- Remove the rear tires and install the snow tires provided with the kit.



SNOW PLOW KIT Z-SPRAY INSTRUCTIONS

NOTES



MADE IN THE USA

Steel Green Mfg.
920 S State Road 39
Lebanon, IN 46052
(765)-481-2890
www.steelgreenmfg.com

SG SNOW PLOW KIT Z-SPRAY
Z-Spray is a registered trade mark of the Toro company