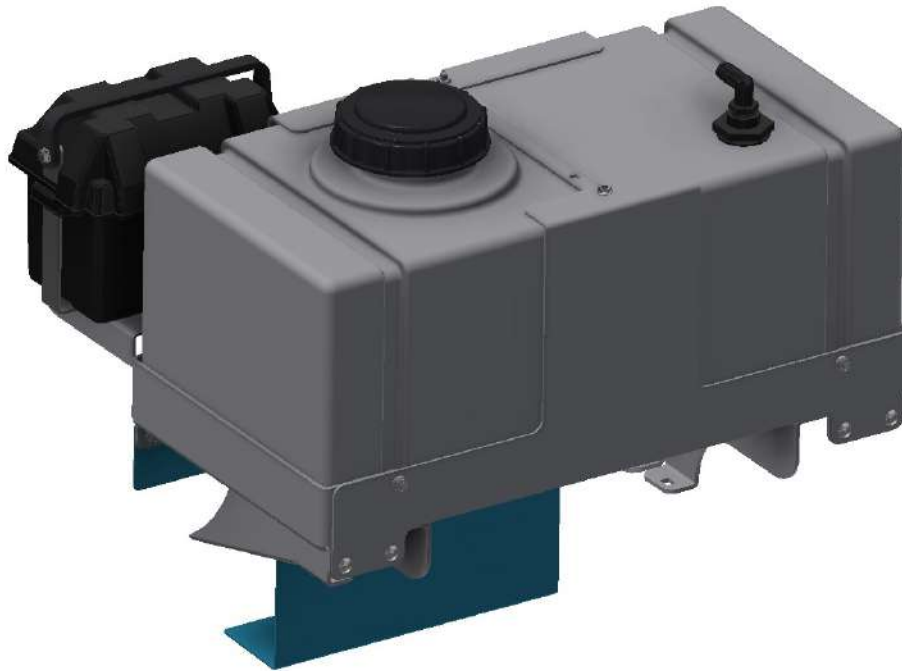




INSTRUCTION MANUAL

20 GALLON SUPPLEMENTAL TANK

Models: SG36, SG42



20 GALLON INSTALL INSTRUCTIONS

STEP ONE:

- Disconnect the battery, *ground* first and then *power* wire.
- Remove the battery from the battery box.



GROUND

POWER

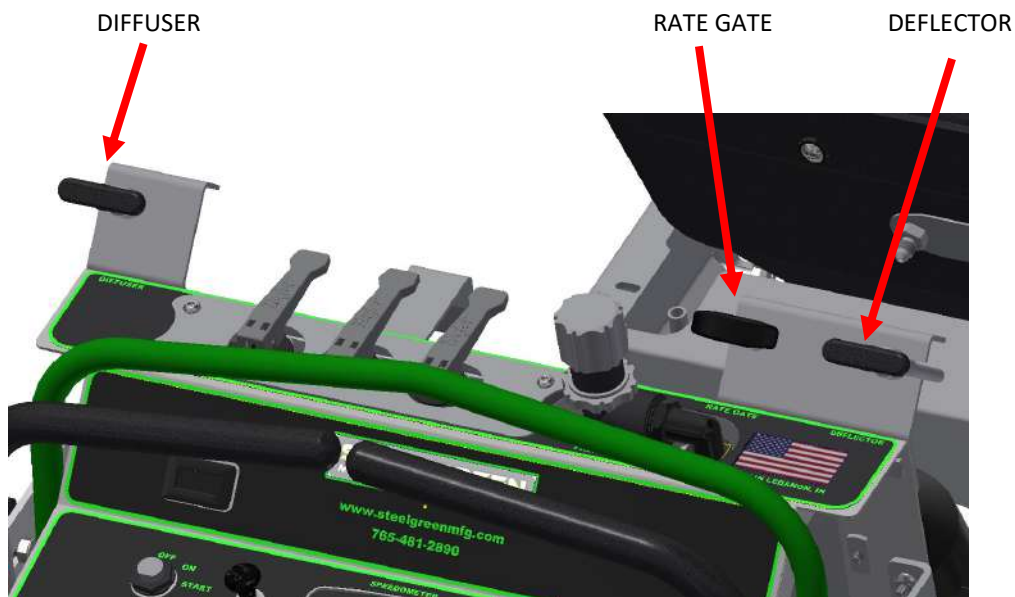
STEP TWO: Disconnect the hoses from the hopper and connect them to the circulation fitting.

NOTE: Hold the hoses up to prevent oil spillage



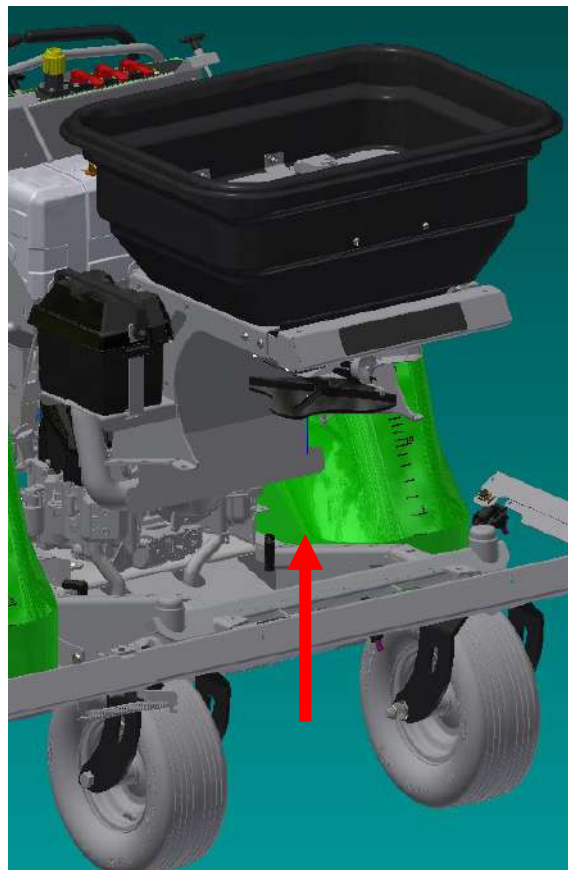
20 GALLON INSTALL INSTRUCTIONS

STEP THREE: Disconnect the cables from the dash.



NOTE: Be sure the hopper is empty before proceeding.

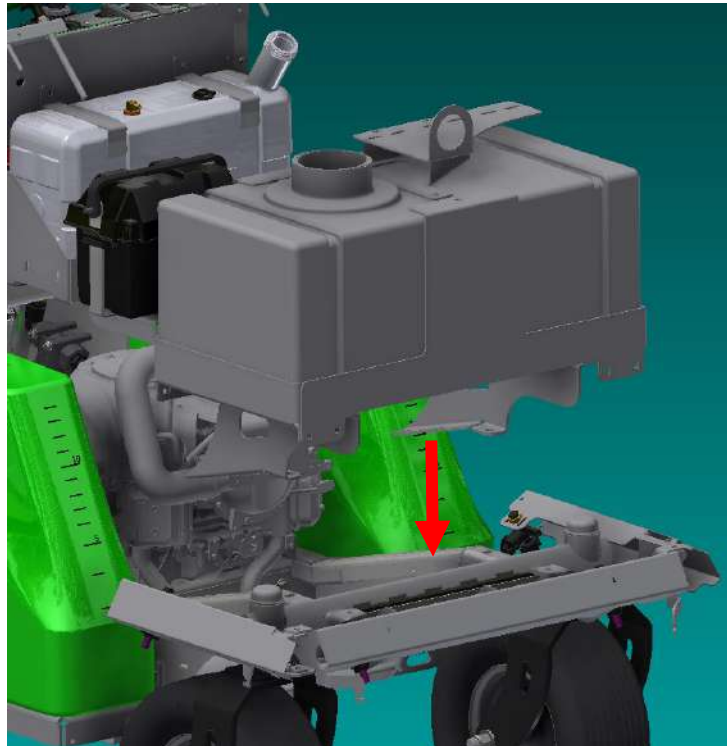
STEP FOUR: Remove the six bolts that hold the hopper assembly to the frame and lift the hopper assembly from the frame.



20 GALLON INSTALL INSTRUCTIONS

STEP FIVE:

- Set the 20 gallon tank assembly on the frame.
- Attach it to the frame with the six bolts.



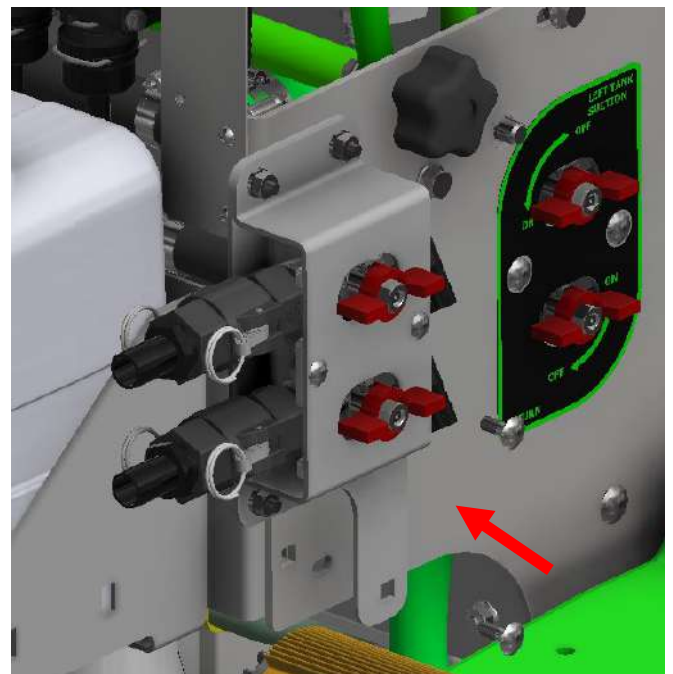
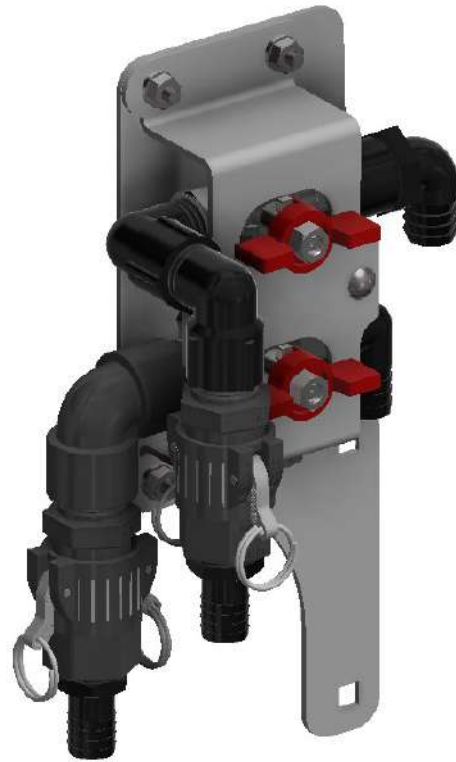
20 GALLON INSTALL INSTRUCTIONS

STEP SIX: Attach the valve assembly to the corner of the dash panel.

VALVE ASSEMBLY



VALVE ASSEMBLY W/FOAM MARKER



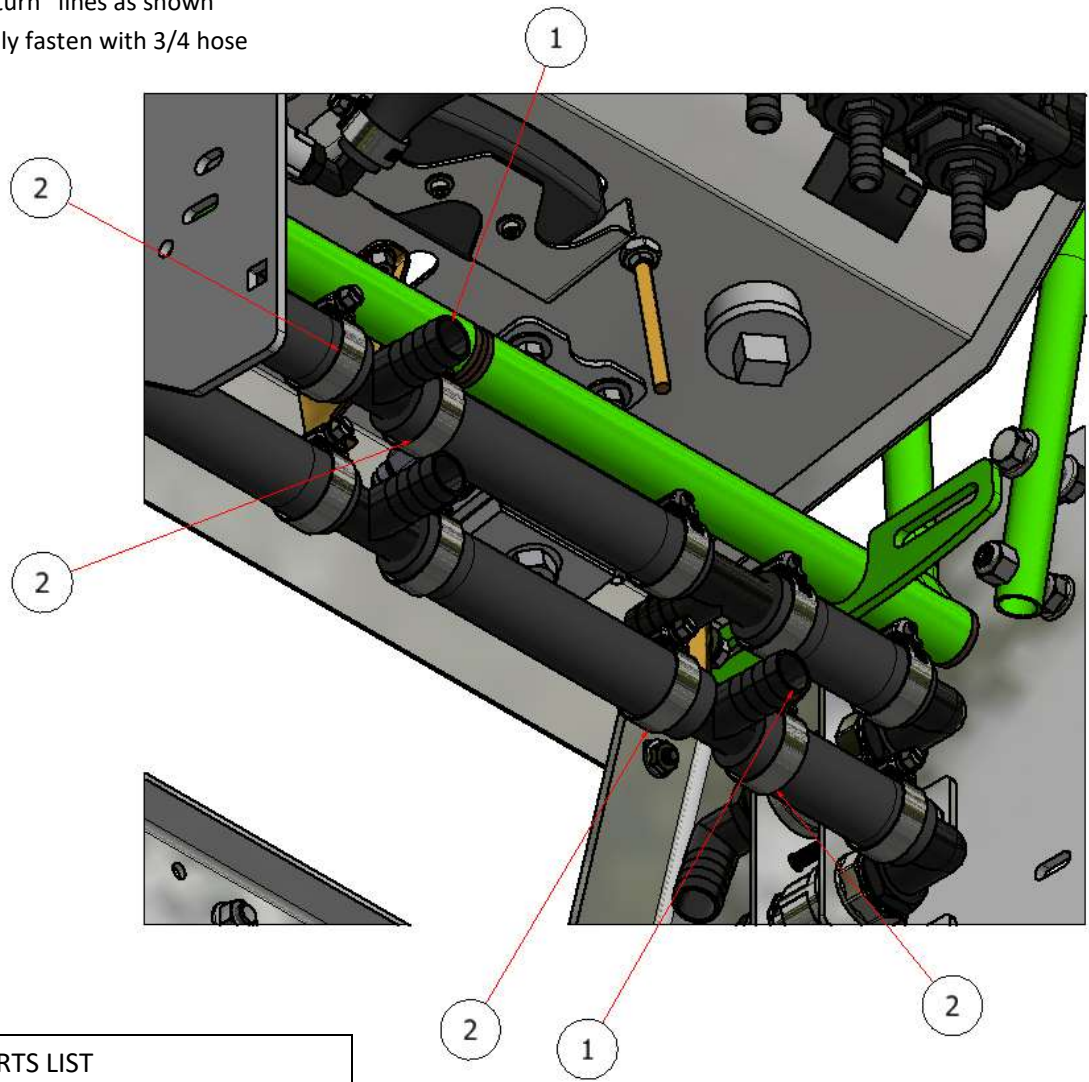
20 GALLON INSTALL INSTRUCTIONS

NOTE:

- Before beginning step seven, BE SURE there is no pressure on the lines and fluid is drained.
- Parts not shown for clarity.

STEP SEVEN:

- Remove the knee pad to access the return & suction lines.
- Carefully cut and install the “tee” fittings in the “suction” and “return” lines as shown (blue arrows). Securely fasten with 3/4 hose clamps.



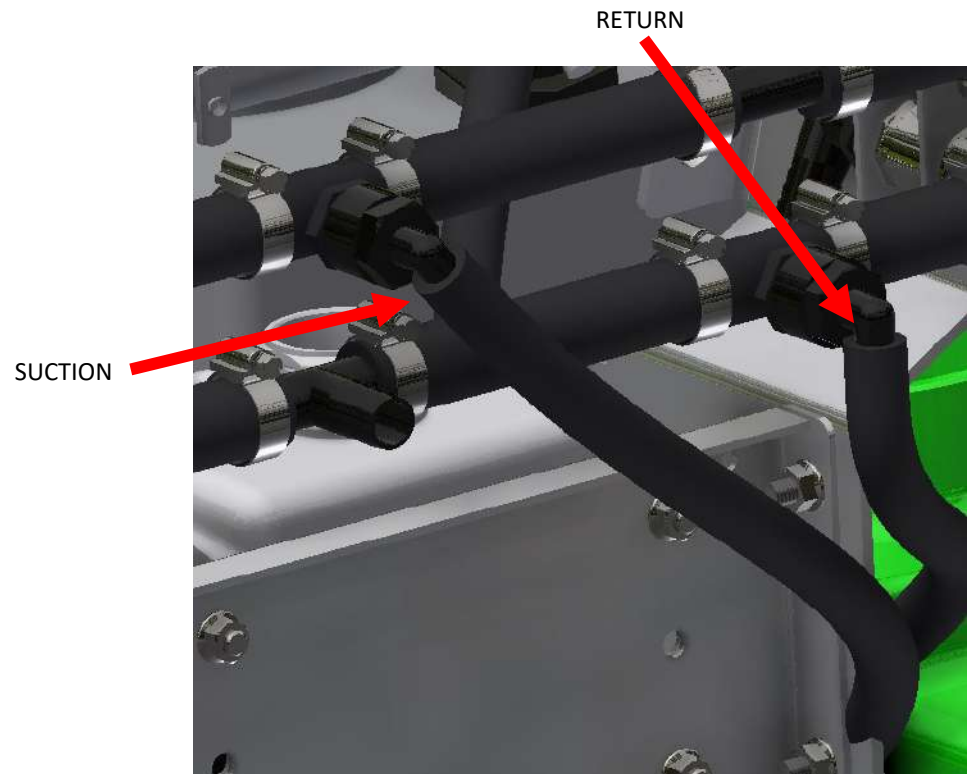
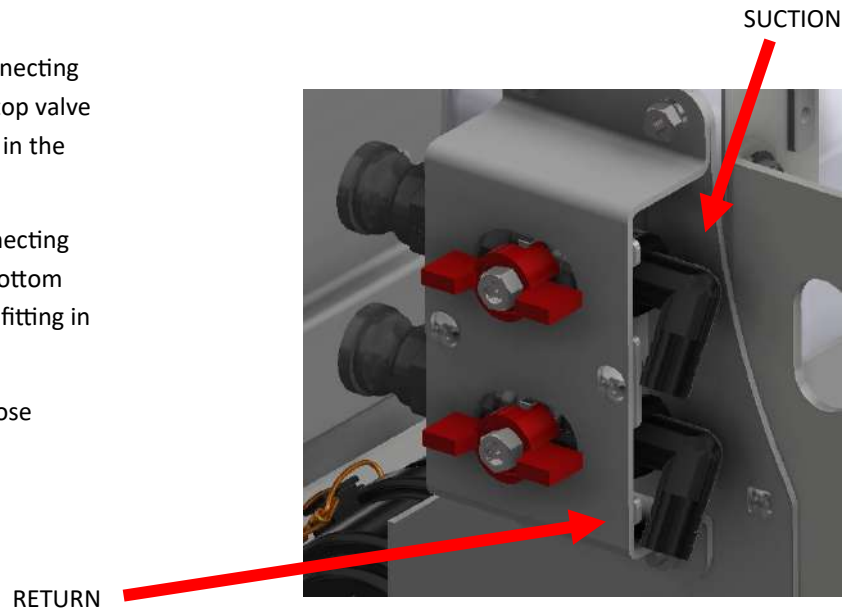
PARTS LIST

ITEM	QTY	PART NUMBER	DESCRIPTION
1	4	12HS	HOSE CLAMP, 3/4
2	2	S50062	TEE FITTING, 3/4 HOSE

20 GALLON INSTALL INSTRUCTIONS

STEP EIGHT:

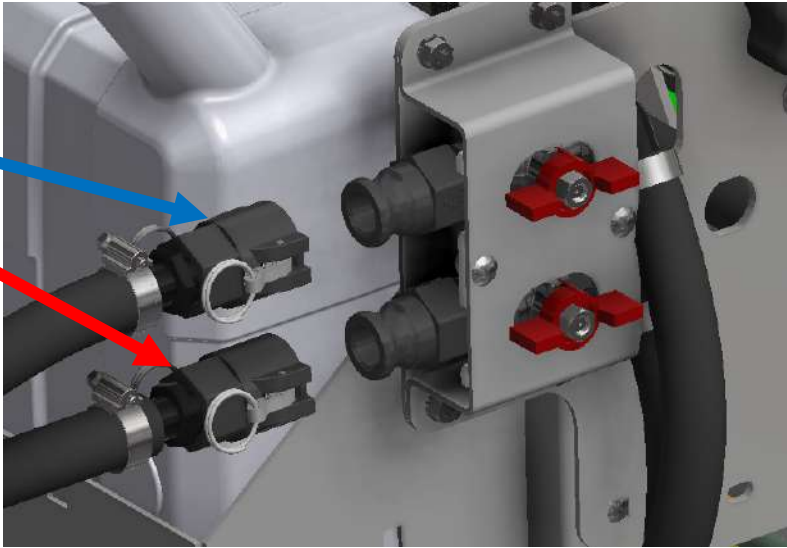
- Cut and install 3/4" suction hose, connecting one end to the suction fitting on the top valve and the other end to the "tee" fitting in the suction line.
- Cut and install 3/4" return hose, connecting one end to the return fitting on the bottom valve and the other end to the "tee" fitting in the return line.
- Securely fasten each end with 3/4" hose clamp.



20 GALLON INSTALL INSTRUCTIONS

STEP NINE: Connect the “quick disconnect” hoses from the tank to the valves.

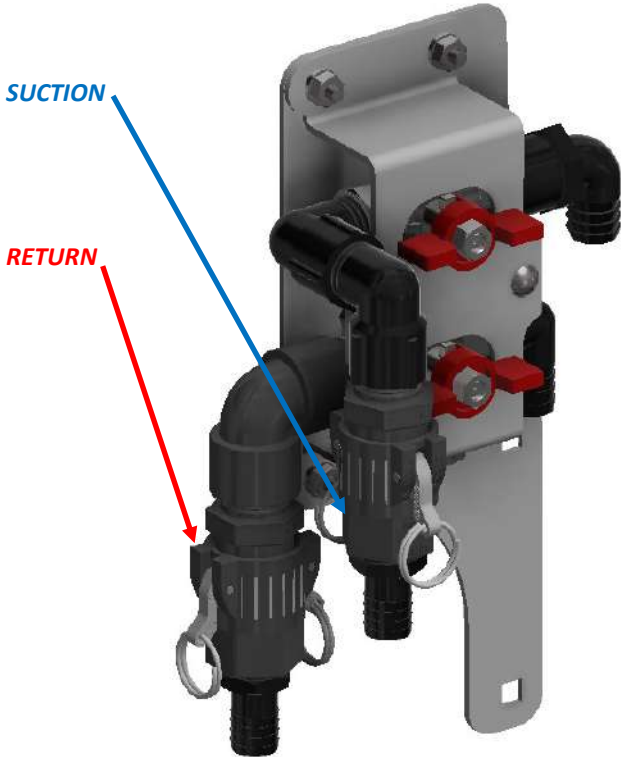
- Top valve is **SUCTION**.
- Bottom valve is **RETURN**.



VALVE ASSEMBLY



VALVE ASSEMBLY W/FOAM MARKER



20 GALLON INSTALL INSTRUCTIONS

STEP TEN:

- Set the battery in the battery box.
- Reattach the battery cables, power cable and wires first followed by the ground wire.
- Attach the battery box cover and bungie strap.



GROUND

POWER



MADE IN THE USA

Steel Green Mfg.
824 S State Road 39
Lebanon, IN 46052
(765)-481-2890
www.steelgreenmfg.com

MANUAL PART NO.	MANUAL REV.	DESCRIPTION	KIT PART NO.
SGM-005	B	20 GALLON TANK ATTACHMENT	P10037