



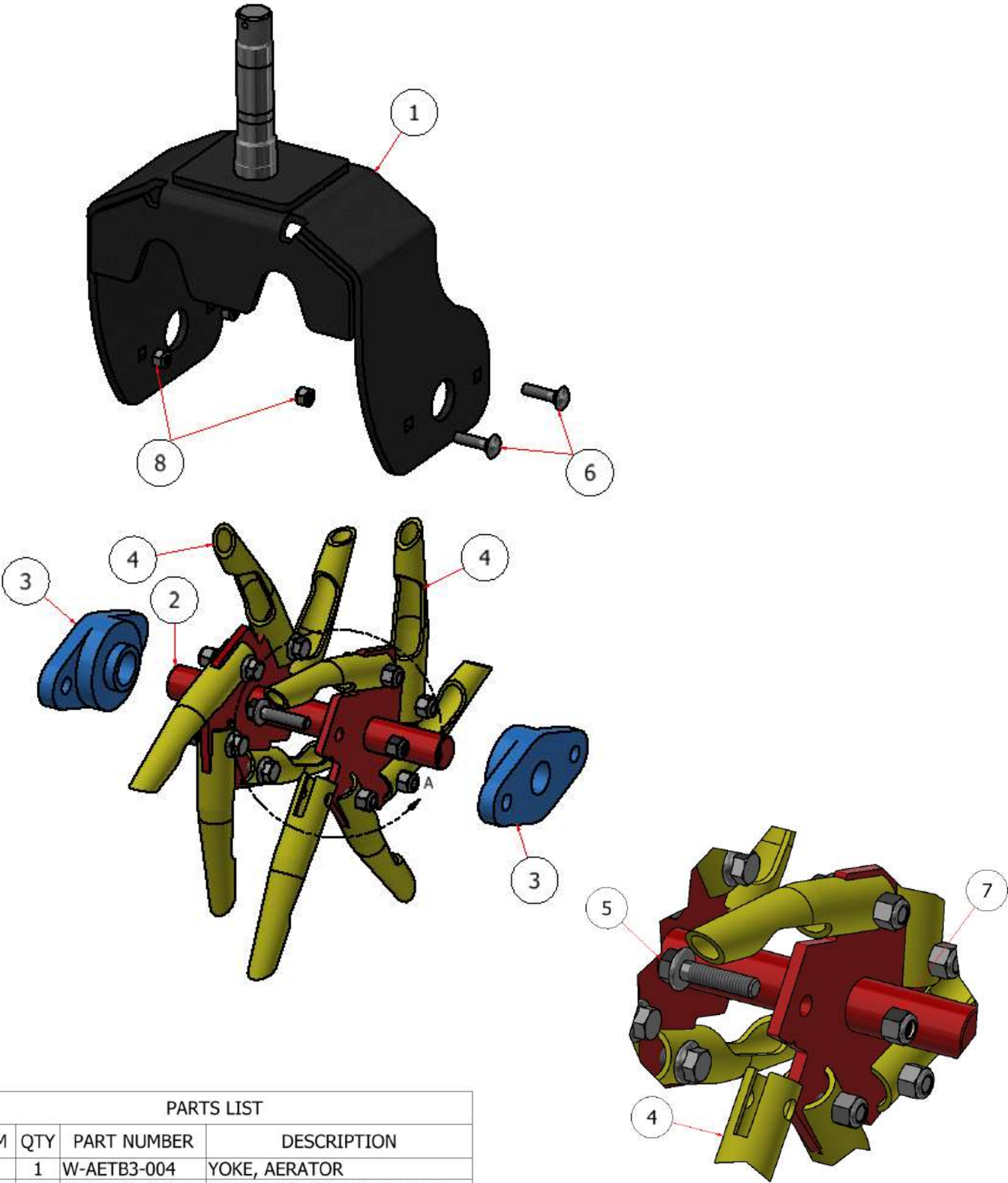
INSTRUCTION MANUAL

AERATOR ATTACHMENT

Models: SG36, SG42, SG46, & SG52



AERATOR ATTACHMENT INSTRUCTIONS

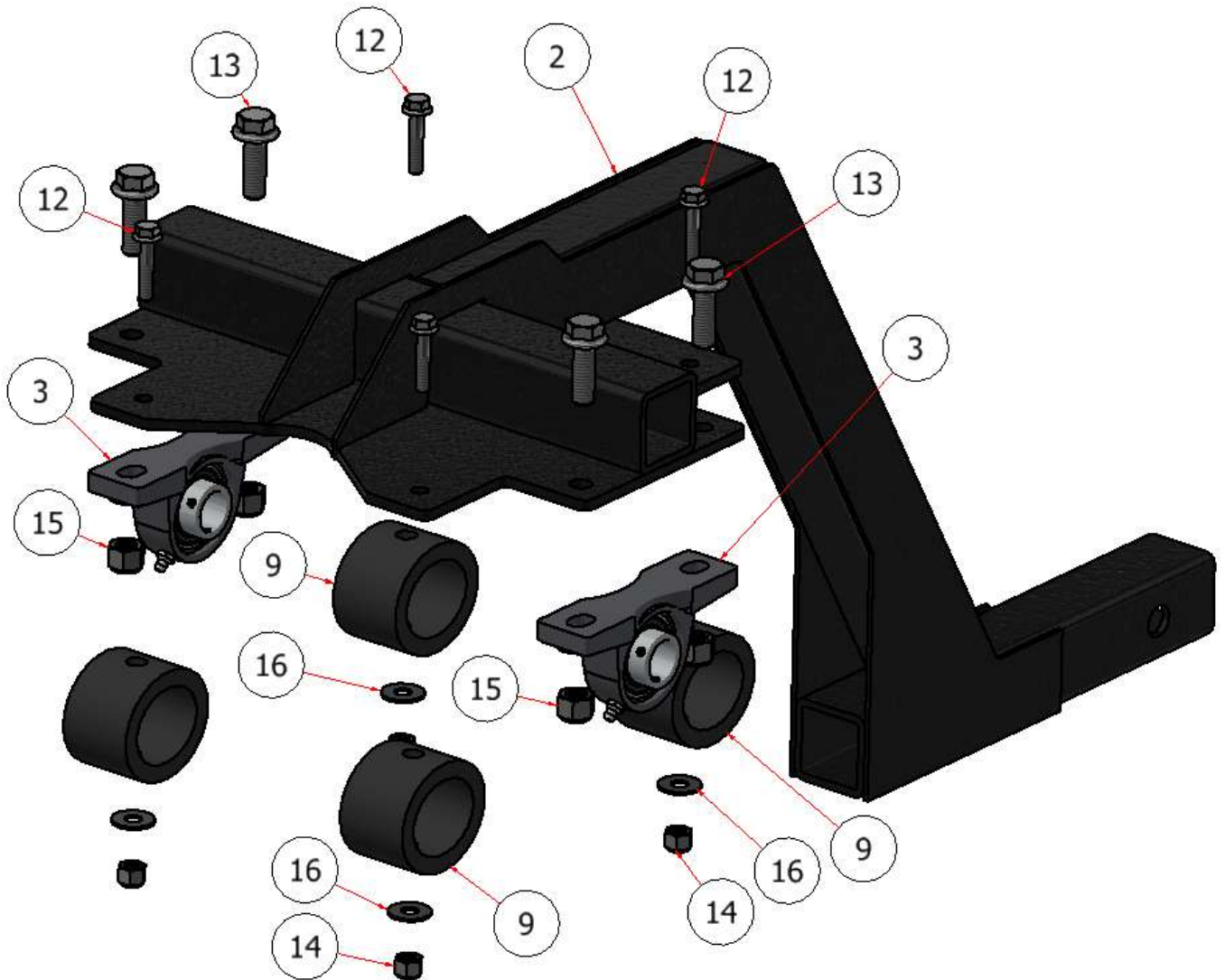


DETAIL A

PARTS LIST			
ITEM	QTY	PART NUMBER	DESCRIPTION
1	1	W-AETB3-004	YOKE, AERATOR
2	1	W-AETB3-013.4	ROTATING ASSEMBLY, TINE
3	2	UCFL205-16	BEARING, 1"
4	10	C60702	TINE, 10 DEG., 6" LONG
5	10	HFSSC-3815	HEX FLANGE BOLT, 3/8 X 1.5
6	4	CB-313114	CARRIAGE BOLT, 5/16 X 1-1/4
7	10	SSNNC-38	NYLOCK, SS - 3/8-16
8	4	SSNC-516	5/16" NUT, NYLOCK

AERATOR ATTACHMENT INSTRUCTIONS

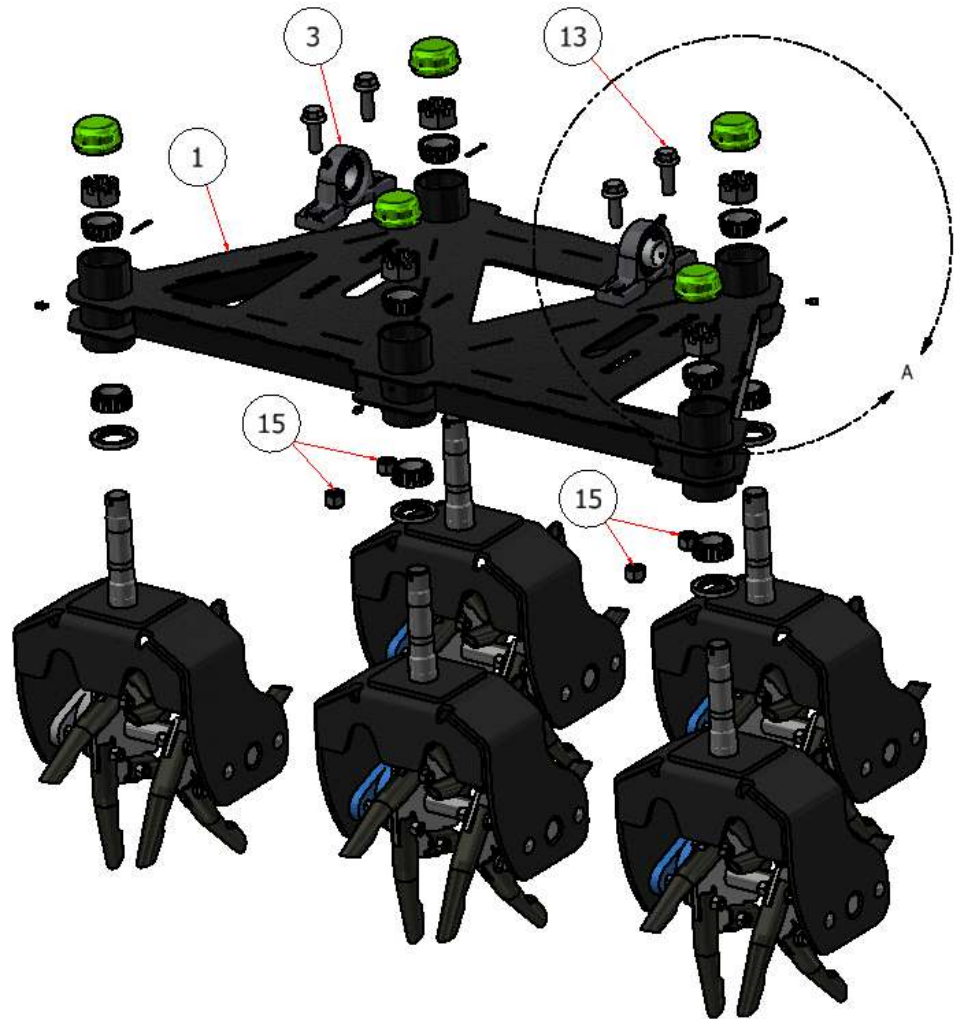
PARTS LIST			
ITEM	QTY	PART NUMBER	DESCRIPTION
1	1	W-AETB3-001	FRAME, AERATOR
2	1	W-AETB3-006	HITCH, AERATOR
3	4	C60709	BEARING, 1/2" SHAFT
4	10	T90308	BEARING, SPINDLE
5	1	AETB3-011	ROD, 1" X 18"
6	5	T90302	SEAL, SPINDLE
7	5	6F-316D	GREASE FITTING
8	5	T90306	NYLON DUST CAP
9	4	C60366	CUSHION, FOOT BOARD
10	5	CPSS 532X112	COTTER PIN, STEEL
11	5	T90313	NUT, SPINDLE
12	4	HFSSC-313112	HEX FLANGE BOLT, 5/16 X 1-1/2
13	8	HFSSC-12112	HEX FLANGE BOLT, SS - 1/2-13 x 1 1/2
14	4	SSNNC-38	NYLOCK, SS - 3/8-16
15	8	SSNNC-12	NYLOCK, SS - 1/2-13
16	4	FWSS-38	FLAT WASHER, SS - 3/8



AERATOR ATTACHMENT INSTRUCTIONS



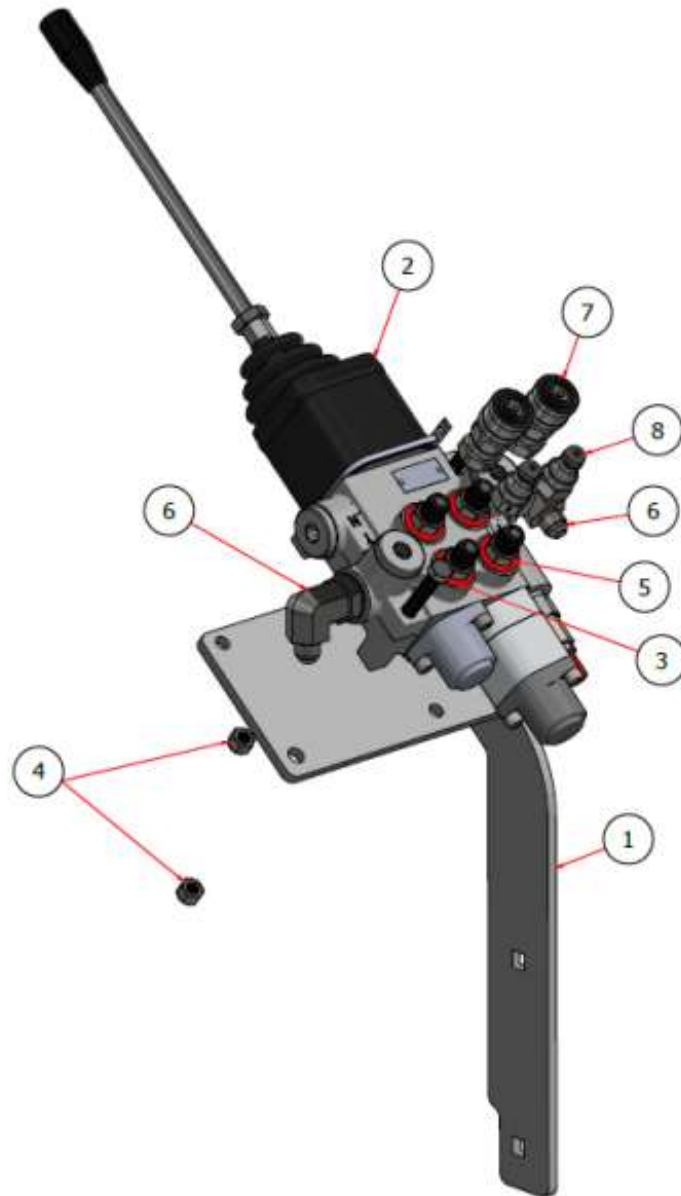
DETAIL A



AERATOR ATTACHMENT INSTRUCTIONS

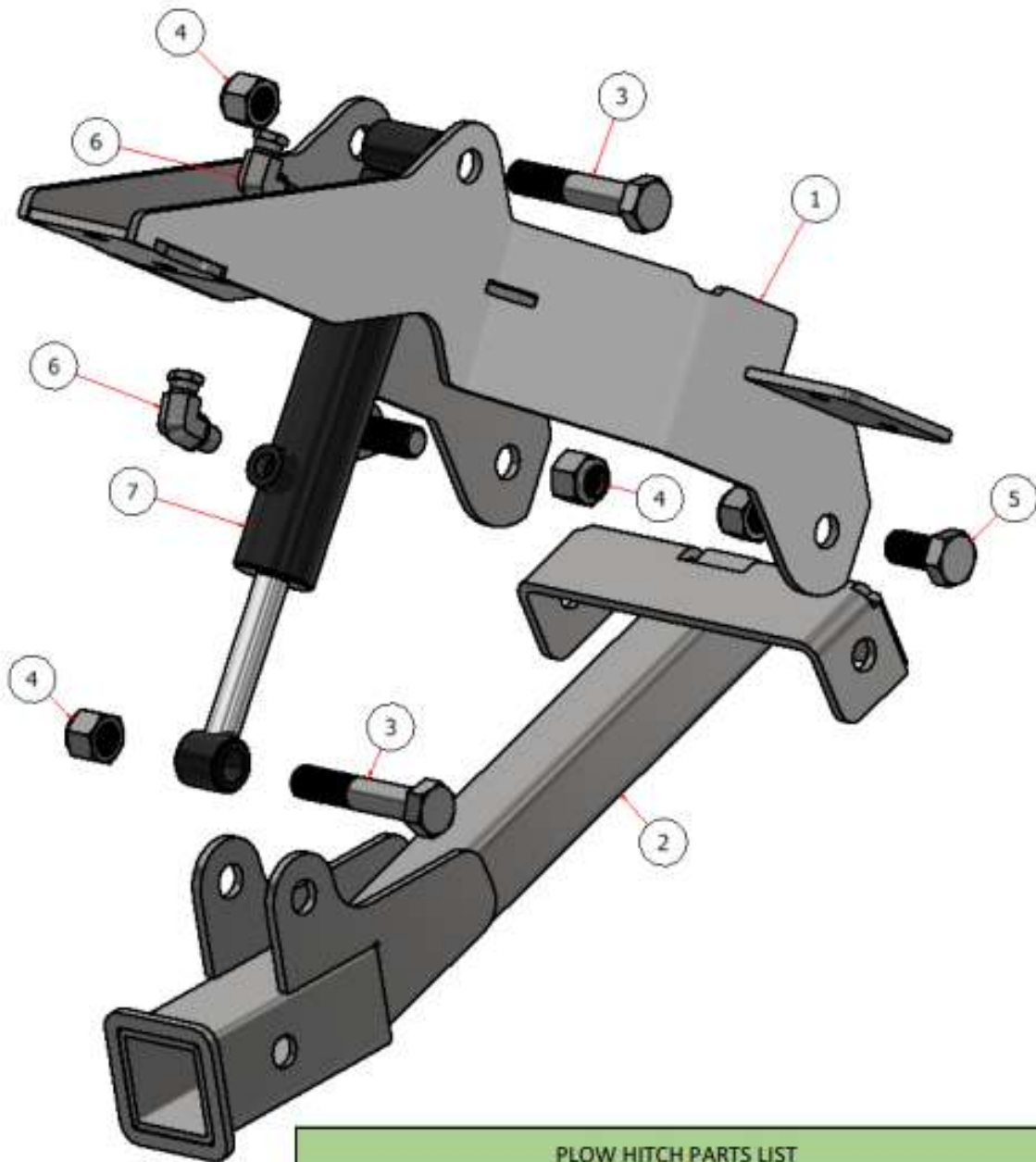


AERATOR ATTACHMENT INSTRUCTIONS



VALVE PARTS LIST			
ITEM	QTY	PART NUMBER	DESCRIPTION
1	1	PL009	SUPPORT BRACKET, PLOW CONTROL VALVE
2	1	SP10001	2 SPOOL LIFT VALVE
3	2	HFSSC-31325	HEX BOLT, SS, 5/16-18 X 2-1/2
4	2	SSNC-516	5/16" NUT, NYLOCK
5	4	SG-K10008-MHLK	6401-08-04-O, 1/4" M SAE X 1/4" MNPT
6	2	SG-K10008-MHLK 1	6801-06-10-NWO-FG, 3/8" M JIC X 7/8" M SAE 90
7	4	SG-K10008-MHLK 2	800501000 1/4" COUPLER FEMALE
8	4	SG-K10008-MHLK 3	800501001 1/4" COUPLER MALE

AERATOR ATTACHMENT INSTRUCTIONS



PLOW HITCH PARTS LIST			
ITEM	QTY	PART NUMBER	DESCRIPTION
1	1	W-PL007	PLOW HITCH, UPPER
2	1	W-PL004	PLOW HITCH, LOWER
3	2	HFB .750-10X3.75	HEX BOLT, 3/4 X 3.75
4	5	SS NYLOCK .750-10	HEX NUT, 3/4 NYLOCK SS
5	2	HFB .750-10X1.5	HEX BOLT, 3/4 X 1.5
6	2	SG-K10007-SPHK	3/8" MNPT X 1/4" FNPT SWIVEL 90
7	1	SP10002	CYLINDER, HYDRAULIC, 1.5 X 6 X .75

AERATOR ATTACHMENT INSTRUCTIONS

STEP ONE:

NOTE:

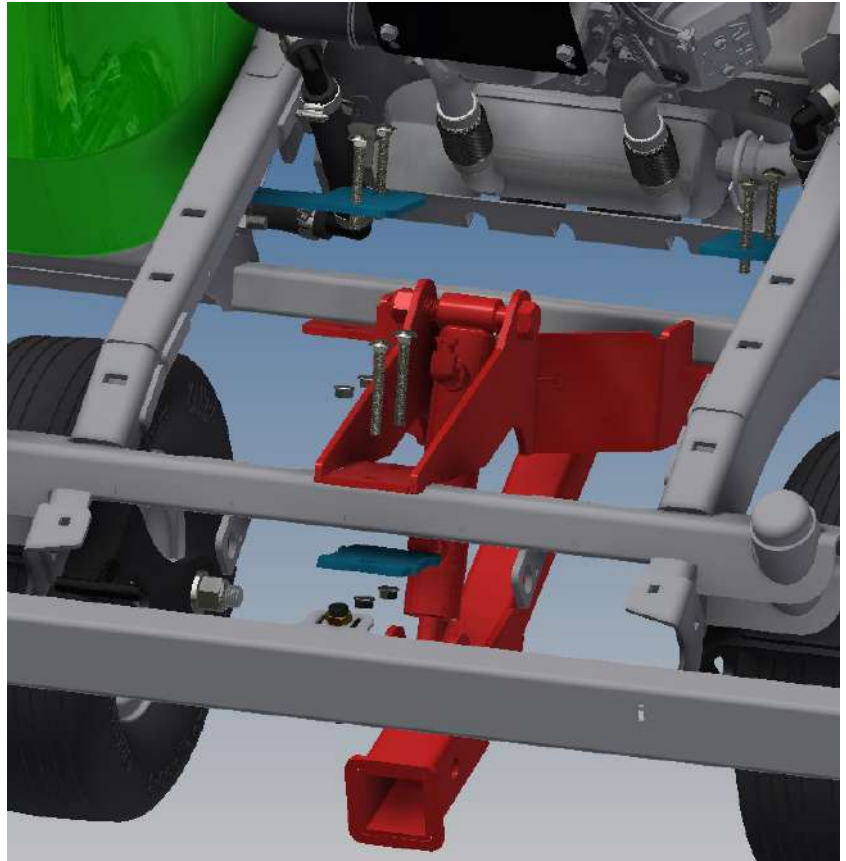
- If your machine is already equipped with the hydraulic control valve and hitch, proceed to step eight.
- Some parts not shown for clarity.

- Set the plow hitch in the frame by resting the front of the plow hitch on top of the frame rail and the back of the hitch will attach to the bottom of the frame rail.

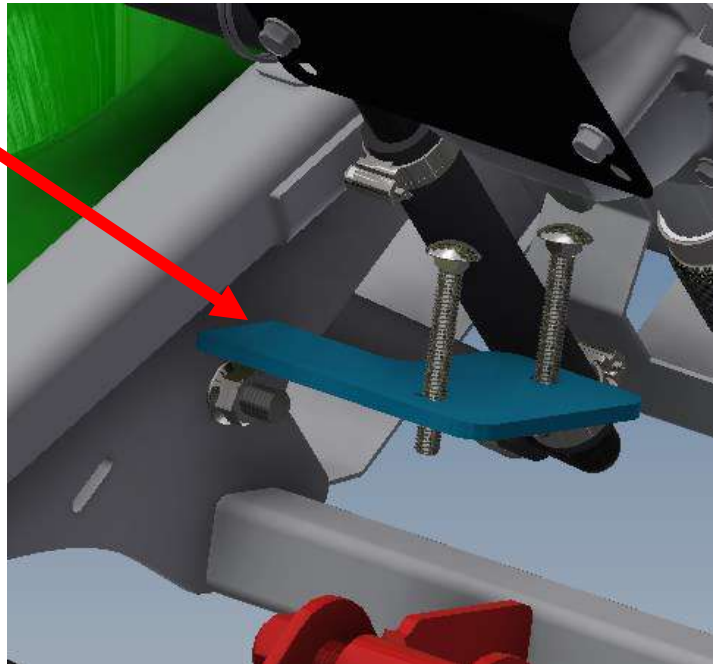
ASSEMBLY TIP: Use a floor jack or block of wood to support the back of the plow hitch.

- Attach the plow hitch to the frame using the top brackets and (6) 3/8" X 2-3/4" carriage bolts and (6) 3/8" nuts provided with the kit.

NOTE: Note the orientation of the back brackets. Be sure the tab is facing the correct direction (One will face left and the other will face right) so the hitch is centered in the frame.

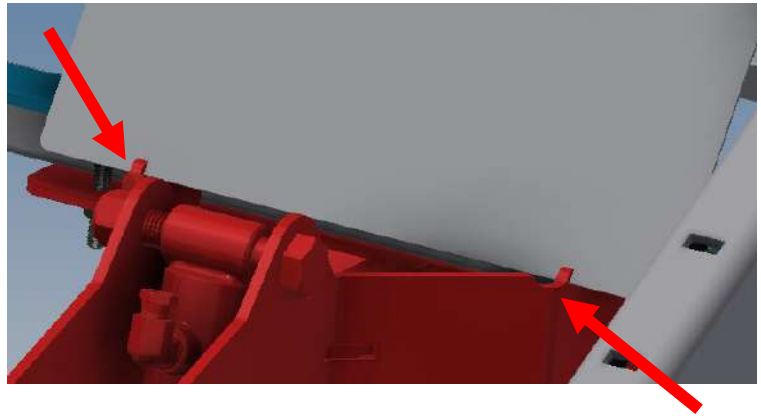


Back bracket



AERATOR ATTACHMENT INSTRUCTIONS

- After the hitch is tightened to the frame adjust the exhaust shield so it rests in the grooves of the plow hitch.

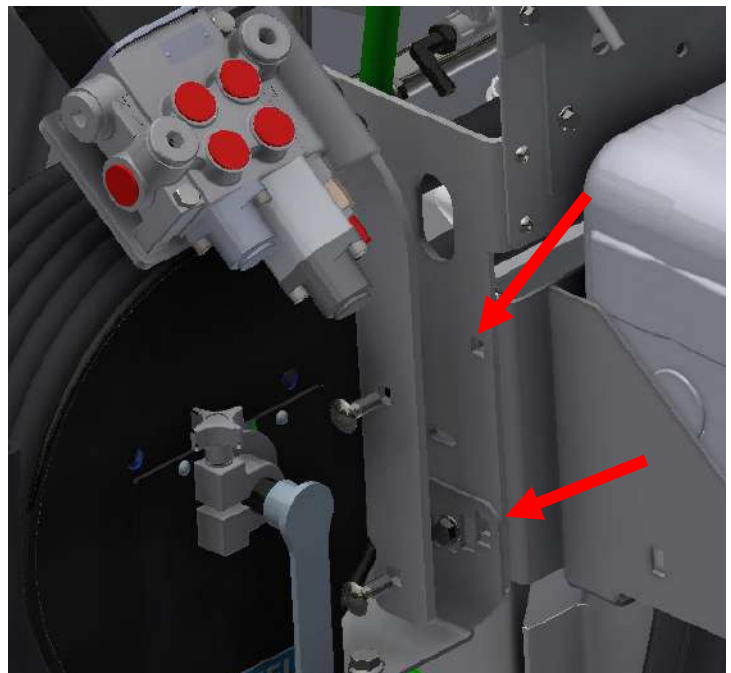


STEP TWO:

- Remove the existing (2) bolts from the gas tank support.



- Attach the control valve assembly to the side of the upright using (2) 3/8 X 1" carriage bolts provided with the kit and reuse the nuts that were removed.



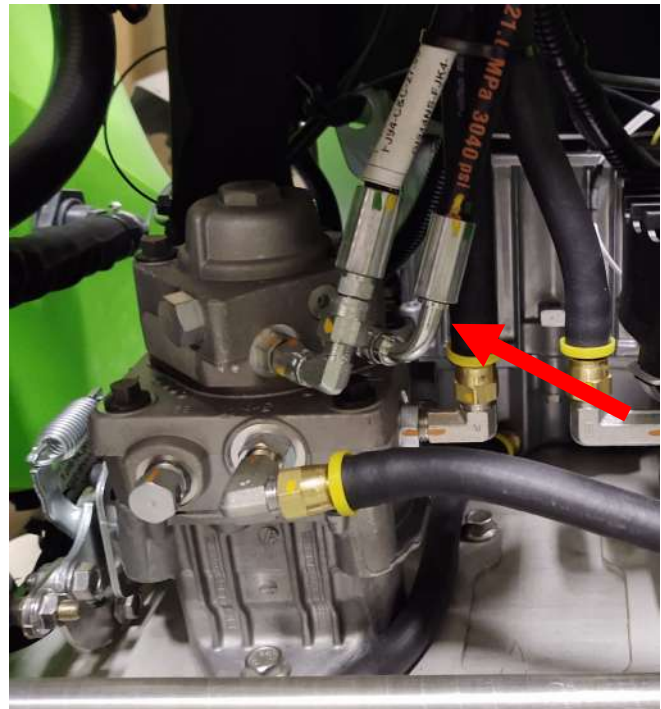
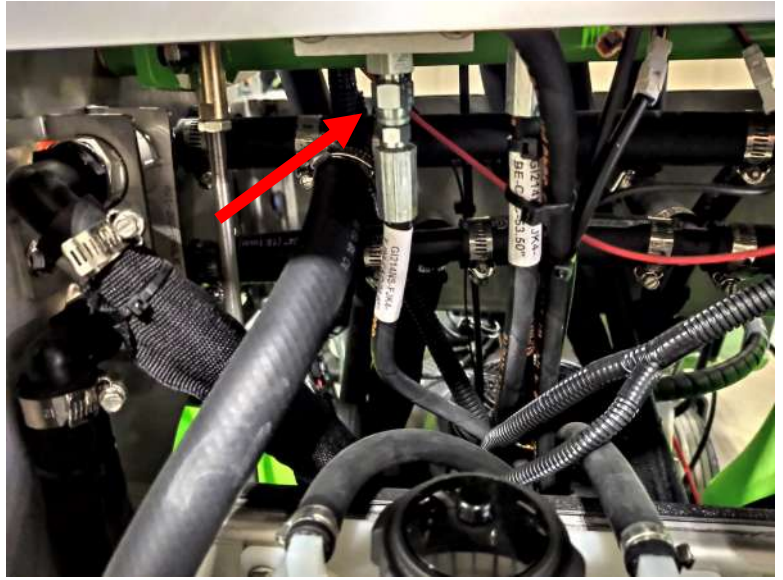
AERATOR ATTACHMENT INSTRUCTIONS

STEP THREE:

- Locate the hose that runs from the bottom port of the hopper control valve down to the left pump.
- Disconnect each end of the hose and use the (2) 1/4" jic red plugs provided with the kit to cap the ends of the hose.

NOTE: Leave the hose zip tied in the bundle and tuck the ends out of the way.

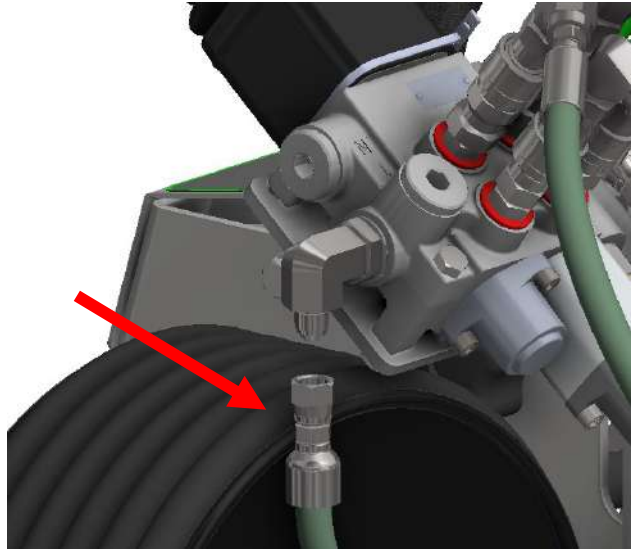
TIP: Disconnect the end from the hopper control valve first and hold the end of the hose up to prevent excess oil spillage. Then turn the end down into a container to drain the rest of the excess oil. Have a rag and or container ready to catch excess oil.



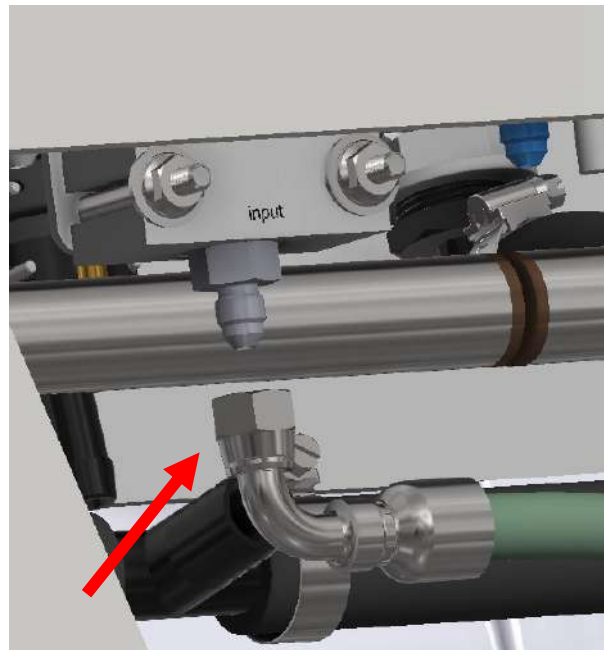
AERATOR ATTACHMENT INSTRUCTIONS

STEP FOUR:

- Using (1) of the 38" hoses provided with the kit, attach the end with the straight fitting to the return port of the control valve.



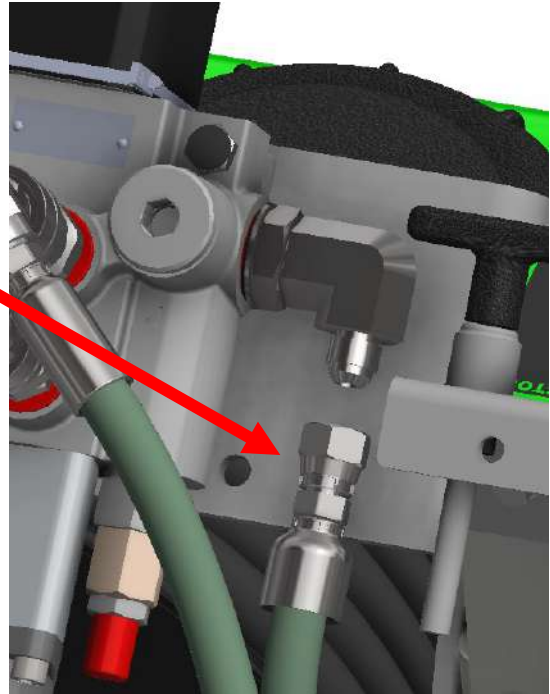
- Attach the other end of the hose to the input port of the hopper control valve. *(end with 90° fitting)*



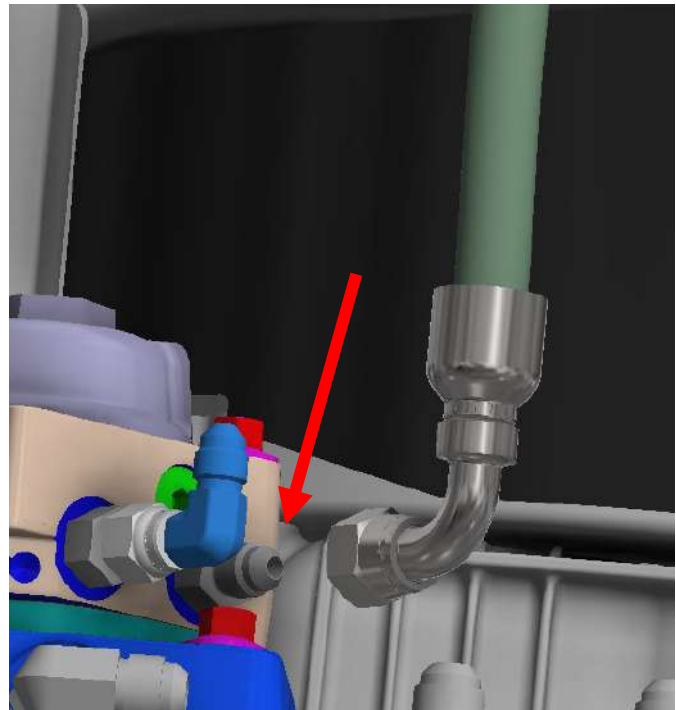
AERATOR ATTACHMENT INSTRUCTIONS

STEP FIVE:

- Using the other 38" hose provided with the kit, attach the end with the straight fitting to the supply port of the control valve.



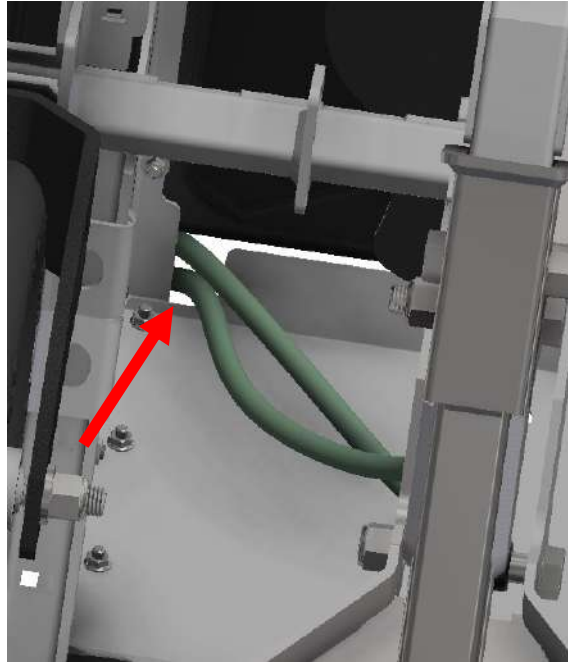
- Attach the other end of the hose to the hydraulic pump. (*end with 90° fitting*)



AERATOR ATTACHMENT INSTRUCTIONS

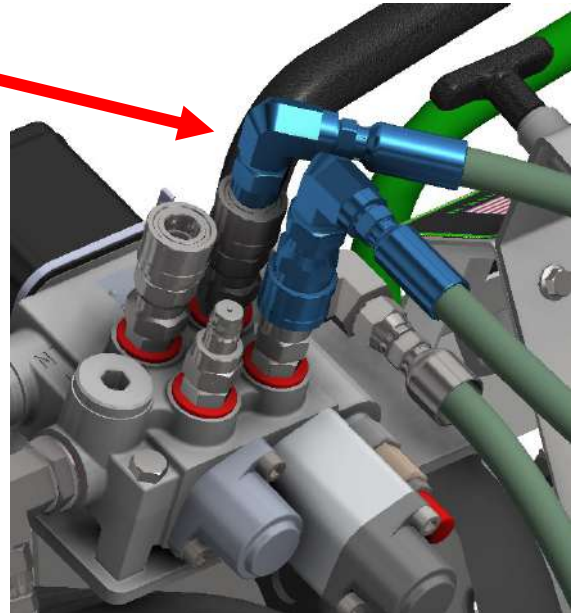
STEP SIX: Route the hoses from the plow hitch along the right side of the hopper, up through the opening in the hopper shield, and to the control valve.

NOTE: *Zip tie both hose assemblies away from any moving parts to prevent damage.*



AERATOR ATTACHMENT INSTRUCTIONS

- Connect the hoses from the plow hitch to the *right side (LIFT)* of the control valve.



STEP SEVEN:

- Top off the hydraulic oil tank and start the machine.
- Operate the plow left/right and up/down.

NOTE: *The cylinders and control valve are empty so it will take a few cycles to fill them and get the air out of the system.*

- Top off the oil tank as it gets low, it should take approx. (2) quarts.



CAUTION!

DO NOT let the machine run out of hydraulic oil

AERATOR ATTACHMENT INSTRUCTIONS

STEP EIGHT:

- Attach the aerator to the hitch using (1) 5/8" X 3" bolt and nut provided with the kit.



OPERATION

- Lower the aerator until it picks the front tires up off the ground.
- Drive as normal to aerate desired area.

NOTE: The aerator can be adjusted forward or backward (see Fig. 1).

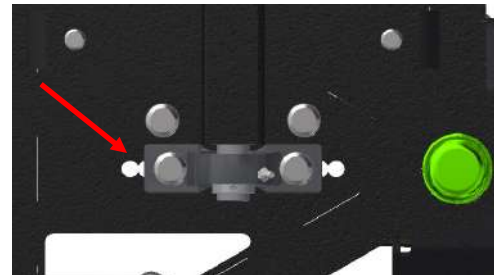


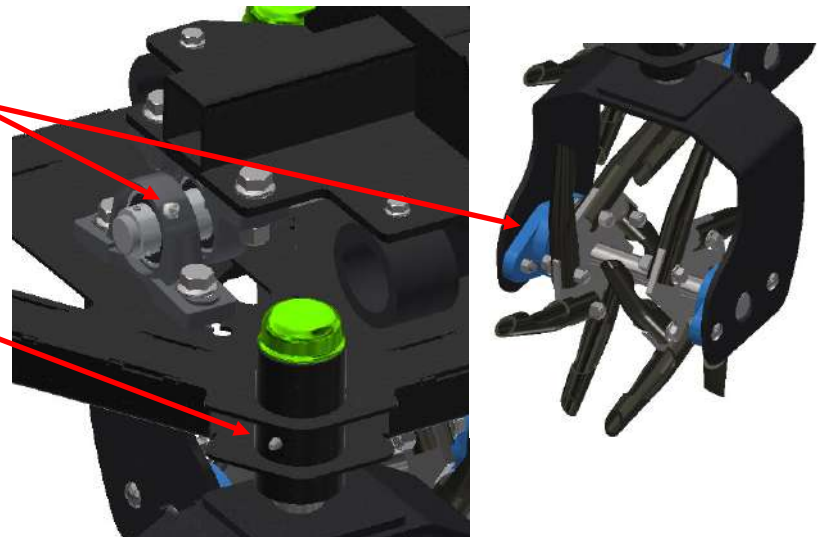
Fig. 1

MAINTENANCE

There are (19) grease points.

1 one each bearing

5 yoke cavities





Steel Green Mfg.
824 S State Road 39
Lebanon, IN 46052
(765)-481-2890
www.steelgreenmfg.com

MANUAL PART NO.	MANUAL REV.	DESCRIPTION	KIT PART NO.
SGM-014	B	AERATOR ATTACHMENT	A10084