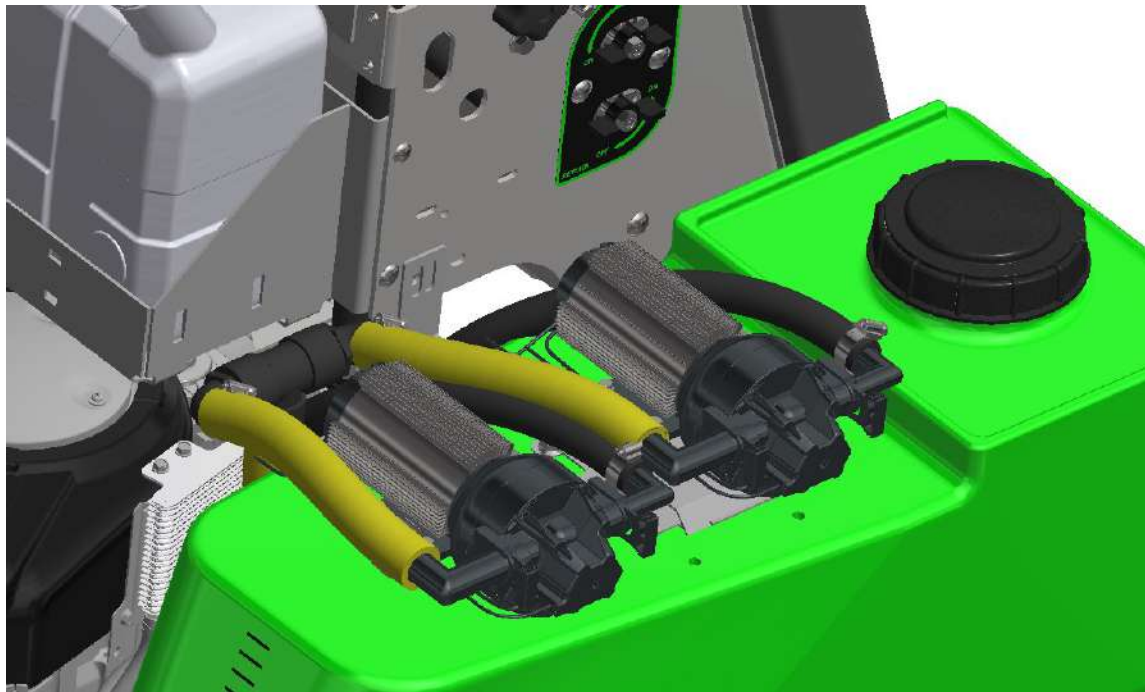


ASSEMBLY WORK INSTRUCTIONS

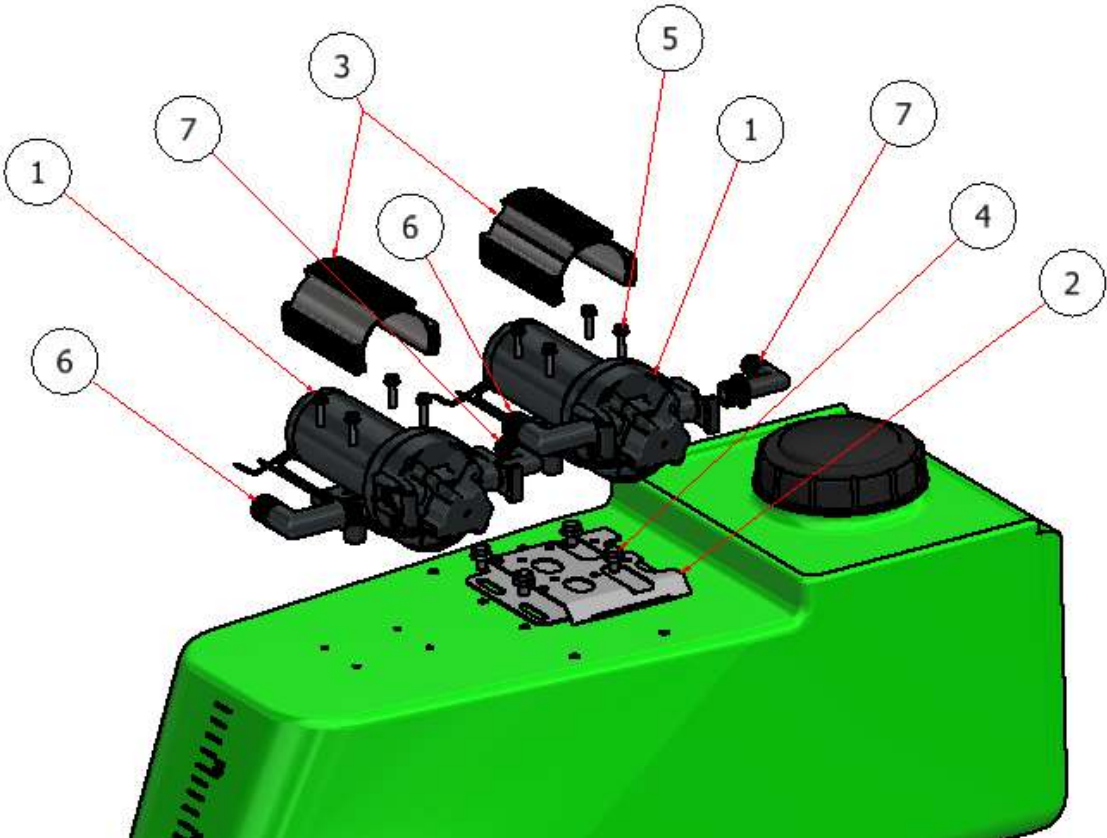
STATION 4 DOUBLE SPRAY PUMP



DOUBLE SPRAY PUMP STATION 4 ASSEMBLY INSTRUCTIONS

STEP ONE: Attach the second pumps to the tank.

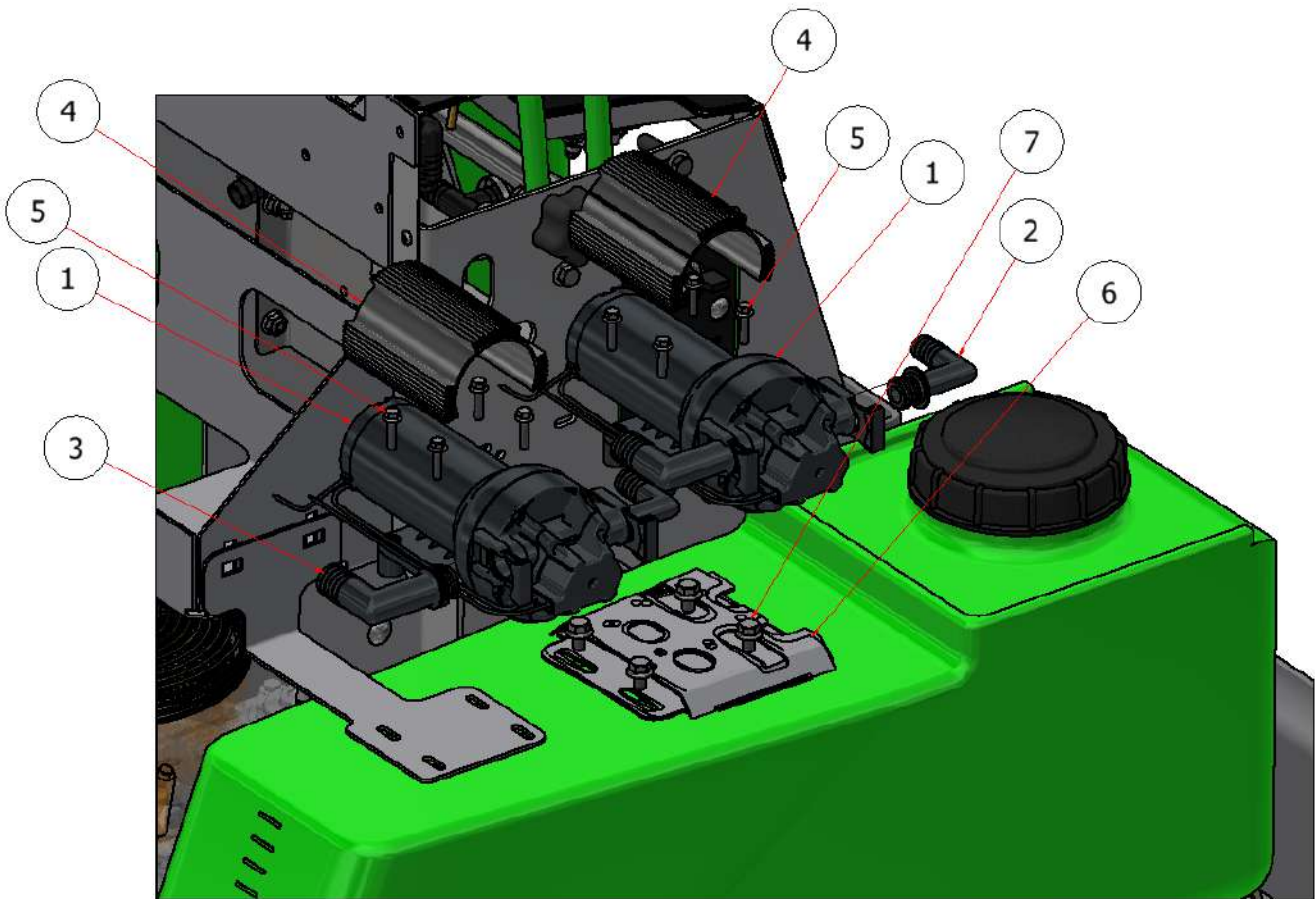
SG52 FLOJET



PARTS LIST			
ITEM	QTY	PART NUMBER	DESCRIPTION
1	2	60014-FJ	SPRAY PUMP, FLOJET
2	1	W21-100	MOUNTING BRACKET, SPRAY PUMP
3	2	S54120	HEAT SINK, SPRAY PUMP
4	4	HFSSC-3812	HEX BOLT, 3/8 X 1/2
5	8	HFSSC-141	BOLT, HEX, 1/4 X 1
6	0	20381713	PUMP FITTING, FLOJET, 1
7	0	20381712	PUMP FITTING, FLOJET, 3/4

DOUBLE SPRAY PUMP STATION 4 ASSEMBLY INSTRUCTIONS

SG46 FLOJET

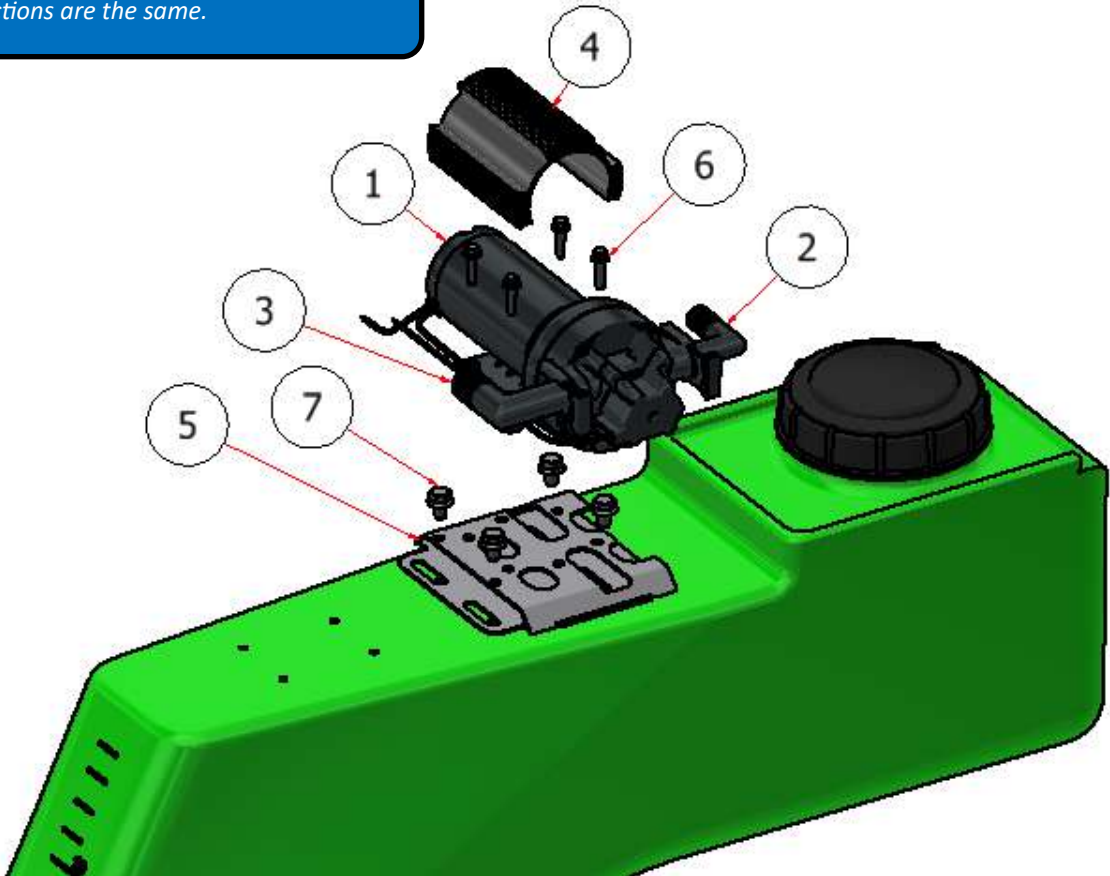


PARTS LIST			
ITEM	QTY	PART NUMBER	DESCRIPTION
1	2	60014-FJ	SPRAY PUMP, FLOJET
2	2	20381712	PUMP FITTING, FLOJET, 3/4
3	2	20381713	PUMP FITTING, FLOJET, 1
4	2	S54120	HEAT SINK, SPRAY PUMP
5	8	HFSSC-141	HEX FLANGE BOLT, 1/4 X 1
6	1	W21-100	MOUNTING BRACKET, SPRAY PUMP
7	4	HFSSC-3812	HEX FLANGE BOLT, 3/8 X 1/2

DOUBLE SPRAY PUMP STATION 4 ASSEMBLY INSTRUCTIONS

SG42 FLOJET

NOTE: Attach the second pump to the right side tank. Instructions are the same.

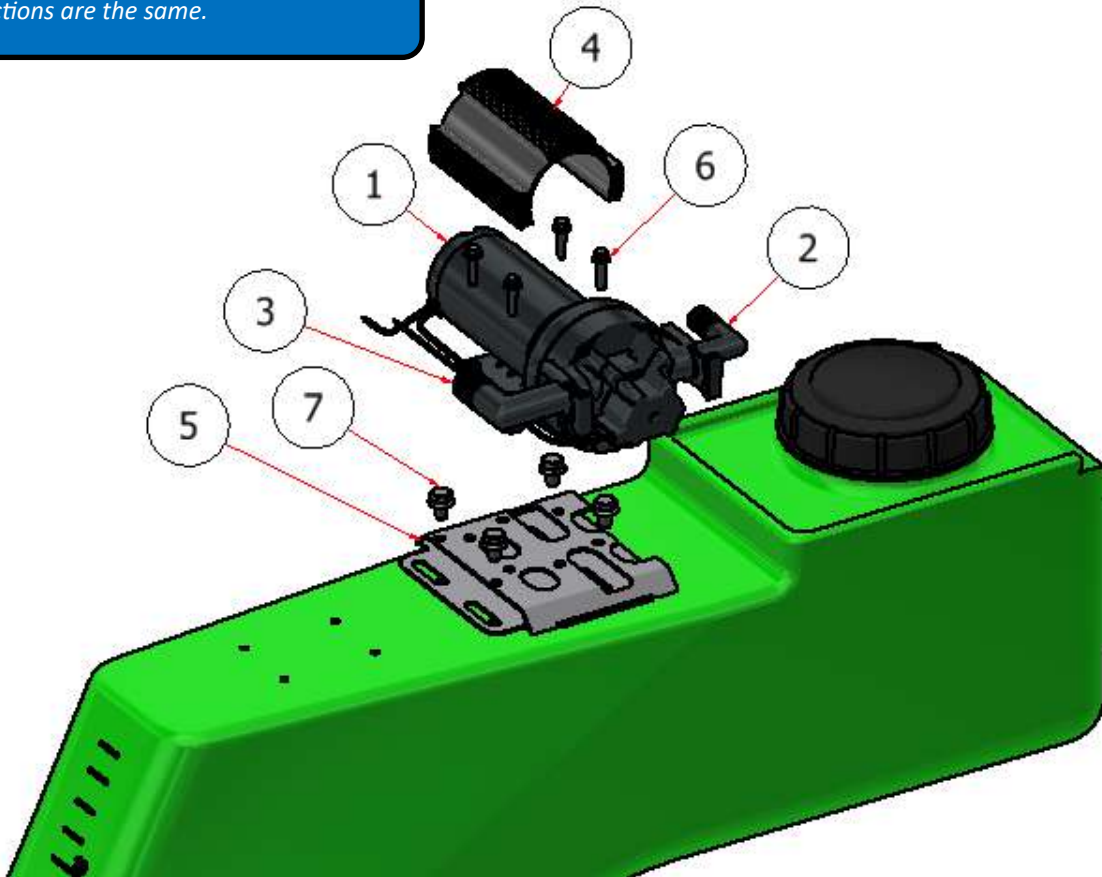


PARTS LIST			
ITEM	QTY	PART NUMBER	DESCRIPTION
1	2	60014-FJ	SPRAY PUMP, FLOJET
2	2	20381712	PUMP FITTING, FLOJET, 3/4
3	2	20381713	PUMP FITTING, FLOJET, 1
4	2	S54120	HEAT SINK, SPRAY PUMP
5	2	W21-100	MOUNTING BRACKET, SPRAY PUMP
6	8	HFSSC-141	HEX FLANGE BOLT, 1/4 X 1
7	8	HFSSC-3812	HEX FLANGE BOLT, 3/8 X 1/2

DOUBLE SPRAY PUMP STATION 4 ASSEMBLY INSTRUCTIONS

SG36 FLOJET

NOTE: Attach the second pump to the right side tank. Instructions are the same.



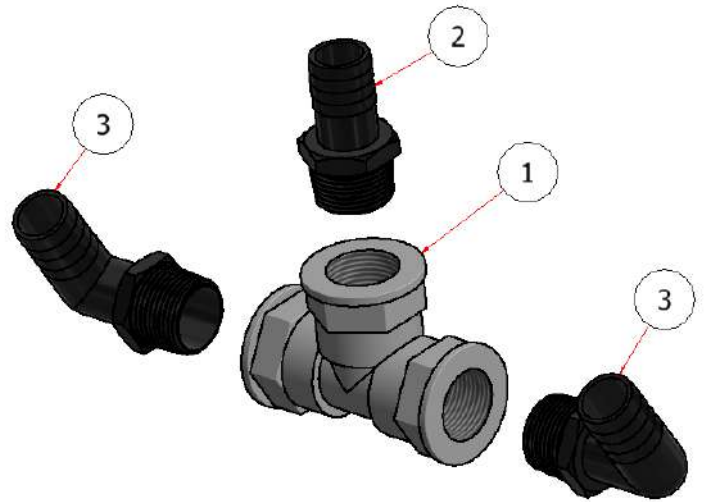
PARTS LIST			
ITEM	QTY	PART NUMBER	DESCRIPTION
1	2	60014-FJ	SPRAY PUMP, FLOJET
2	2	20381712	PUMP FITTING, FLOJET, 3/4
3	2	20381713	PUMP FITTING, FLOJET, 1
4	2	S54120	HEAT SINK, SPRAY PUMP
5	2	W21-100	MOUNTING BRACKET, SPRAY PUMP
6	8	HFSSC-141	HEX FLANGE BOLT, 1/4 X 1
7	8	HFSSC-3812	HEX FLANGE BOLT, 3/8 X 1/2

DOUBLE SPRAY PUMP STATION 4 ASSEMBLY INSTRUCTIONS

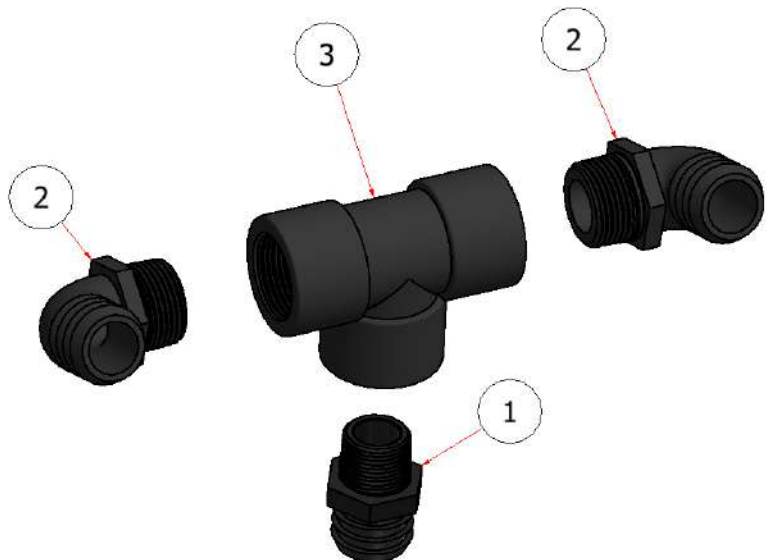
STEP TWO:

- Assemble the (2) tee fitting assemblies as shown.

NOTE: Angle the elbow fittings as needed.



PARTS LIST			
ITEM	QTY	PART NUMBER	DESCRIPTION
1	1	S52006	TEE, BANJIO, 3/4
2	1	S52015	3/4" MNPT X 3/4" BARB
3	2	S52029	BARB, 3/4 MPT x 3/4 BARB 90



PARTS LIST			
ITEM	QTY	PART NUMBER	DESCRIPTION
1	1	S52017	3/4 X 1 BARB
2	2	S52030	1 MNPT X 1 BARB, ELBOW, 90
3	1	S52073	1 FNPT, PIPE TEE

DOUBLE SPRAY PUMP STATION 4 ASSEMBLY INSTRUCTIONS

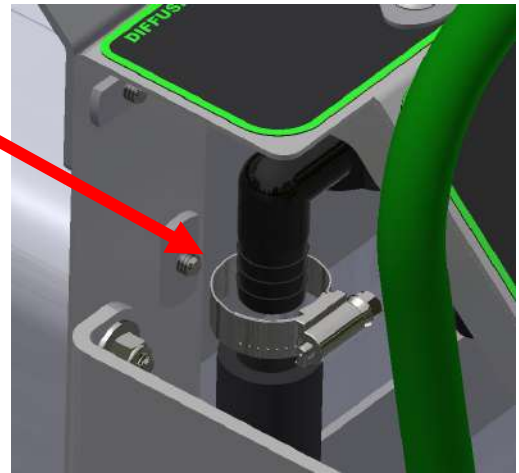
NOTE: ALL hoses are to be.....

- Securely fastened with hose clamps.
- Free of sharp edges and hot areas.

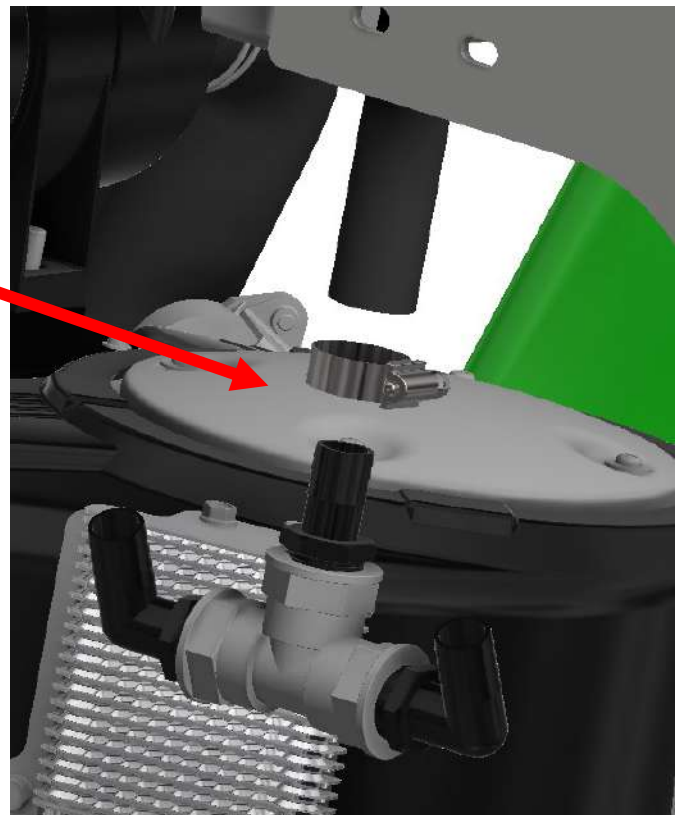
STEP THREE:

- Cut 3/4" return hose 16" long.
- Connect one end of the hose to the spray manifold inlet barb fitting
- Connect the 3/4" tee fitting assembly to the other end.
- Securely fasten with 12HS hose clamps.

A



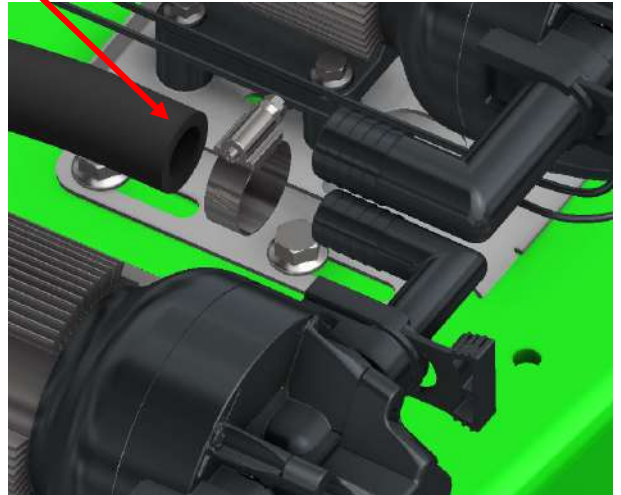
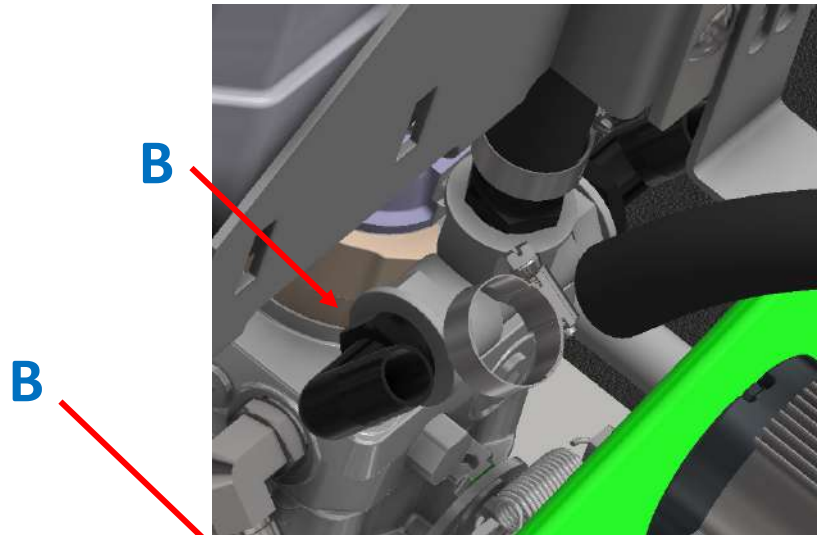
A



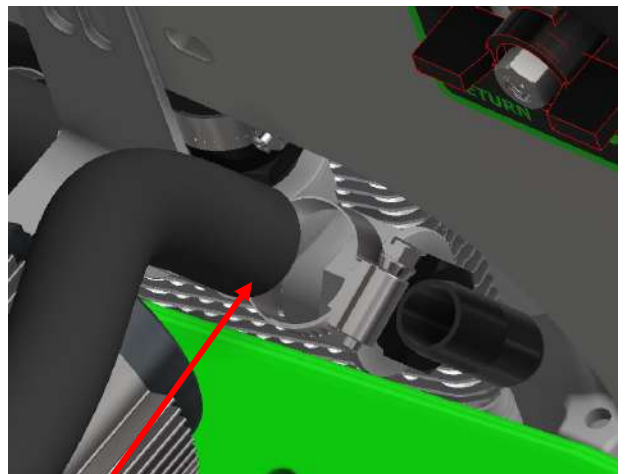
DOUBLE SPRAY PUMP STATION 4 ASSEMBLY INSTRUCTIONS

STEP FOUR:

- Cut 3/4" return hose. (length as needed)
- Connect one end of the hose to the front elbow fitting and the other end to the "outlet port" of spray pump 1.



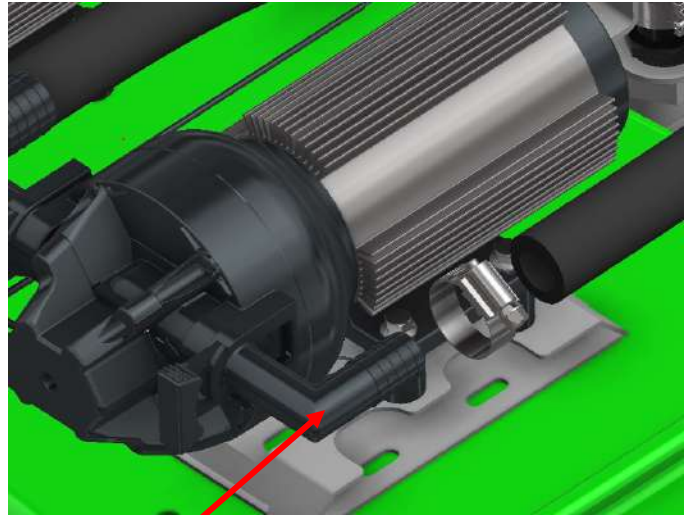
- Cut 3/4" return hose. (length as needed)
- Connect one end of the hose to the rear elbow fitting and connect the other end to the "outlet port" of spray pump 2.



C

DOUBLE SPRAY PUMP STATION 4 ASSEMBLY INSTRUCTIONS

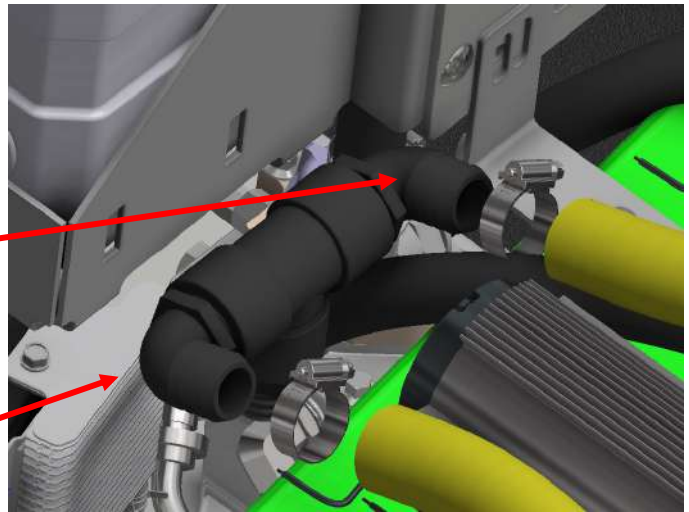
- Cut 3/4" return hose. (length as needed)
- Connect one end of the hose to the rear elbow fitting and connect the other end to the "outlet port" of spray pump 2.



C

STEP FIVE:

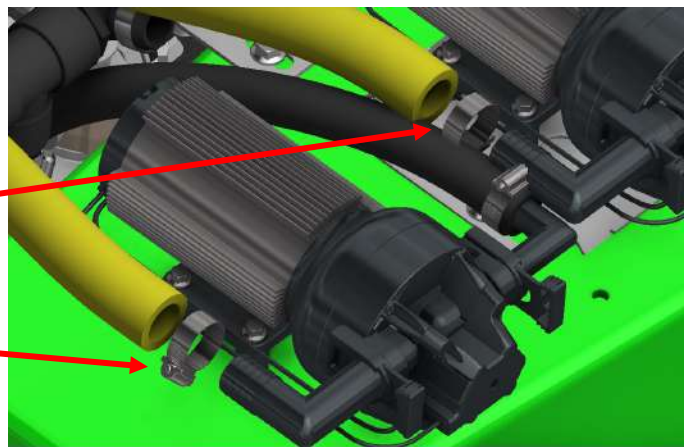
- Cut (2) 1" suction hoses (length as needed).
- Connect one end of each hose to the 1" tee fitting assembly.



E

D

- Connect the other end of each 1" hose to the suction ports on the spray pumps.



E

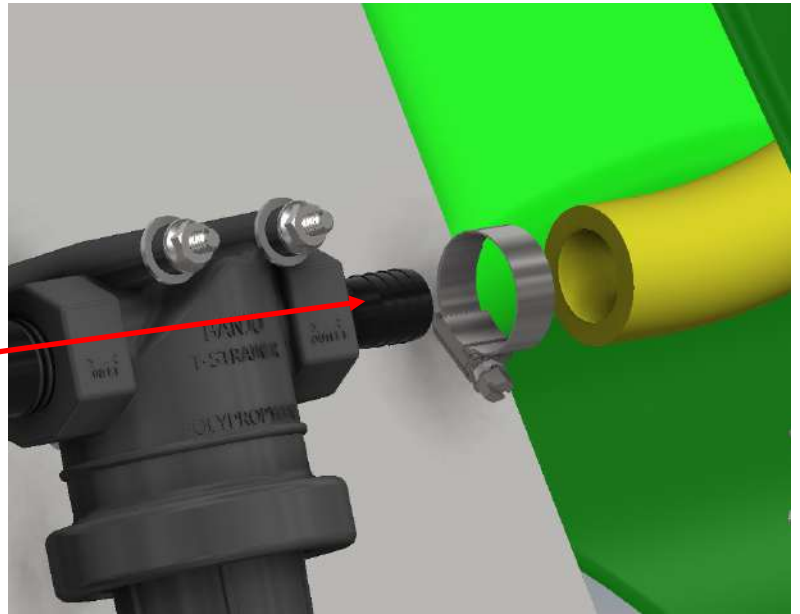
D

DOUBLE SPRAY PUMP STATION 4 ASSEMBLY INSTRUCTIONS

STEP SIX:

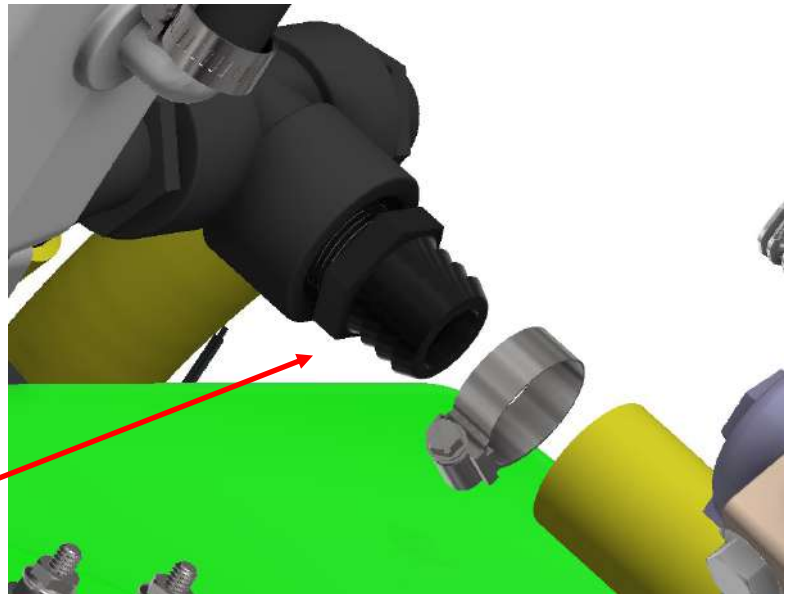
- Cut 1" suction hose (length as needed).
- Connect the hose to the strainer "inlet port".

F



- Connect the other end of the 1" hose to the bottom of the 1" tee fitting assembly.

F



DOUBLE SPRAY PUMP STATION 4 ASSEMBLY INSTRUCTIONS

STEP SEVEN: Plug the “y” adapter into the plug of the hi flow harness and plug the other ends into each spray pump.

