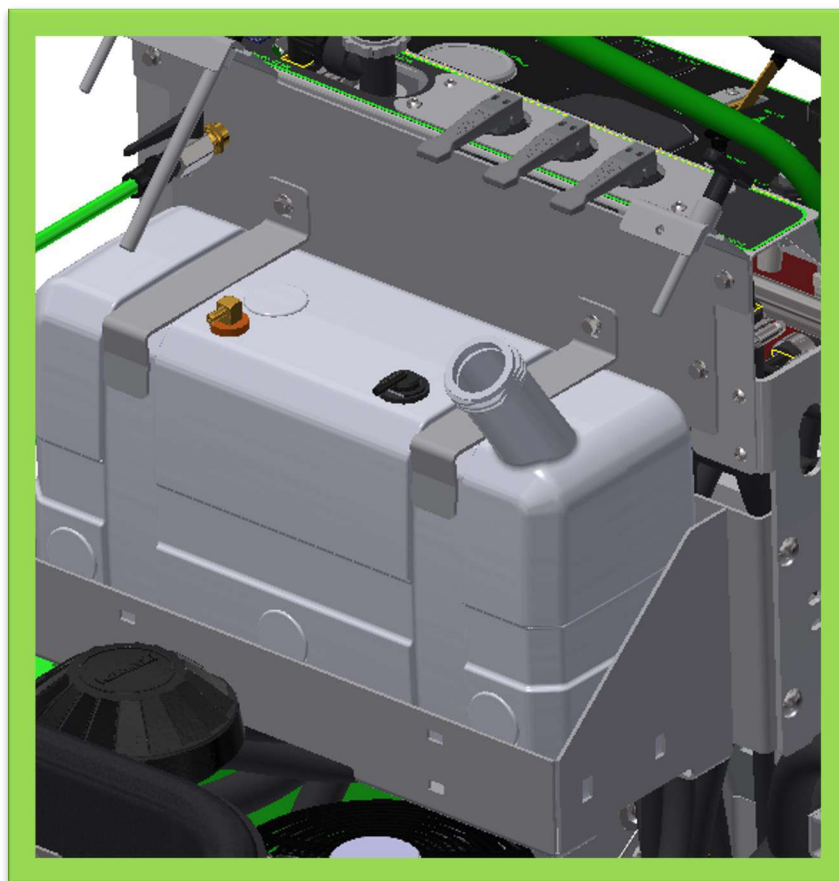


INSTRUCTION MANUAL

GAS TANK REPLACEMENT

Models: SG36, SG42, SG46, & SG52



GAS TANK SWAP INSTRUCTIONS

STEP ONE: Disconnect the battery, *ground* first and then *power* wire.



GROUND

POWER

STEP TWO:

- Squeeze the hose clamp and slide it back.
- Disconnect both fuel lines.

Engine supply line

Pressure relief



CAUTION!

- Beware of excess fuel in the lines.
- Fuel spillage.

WARNING!

- Flammable gas.

GAS TANK SWAP INSTRUCTIONS

STEP THREE: Remove the gas tank straps and tank.



STEP FOUR: Install the new white gas tank and reattach the tank straps.



GAS TANK SWAP INSTRUCTIONS

STEP FIVE: Reconnect the fuel lines and secure the hose clamp.



STEP SIX: Reconnect the battery, *power wire* first and then *ground*.



GROUND

POWER



MADE IN THE USA

Steel Green Mfg.
824 S State Road 39
Lebanon, IN 46052
(765)-481-2890
www.steelgreenmfg.com

MANUAL PART NO.	MANUAL REV.	DESCRIPTION
SGM-019	B	GAS TANK REPLACEMENT