

INSTRUCTION MANUAL

HI FLOW PUMP 1" SUCTION HOSE SWAP

Models: SG36, SG42, SG46, & SG52



HI FLOW PUMP 1" HOSE SWAP

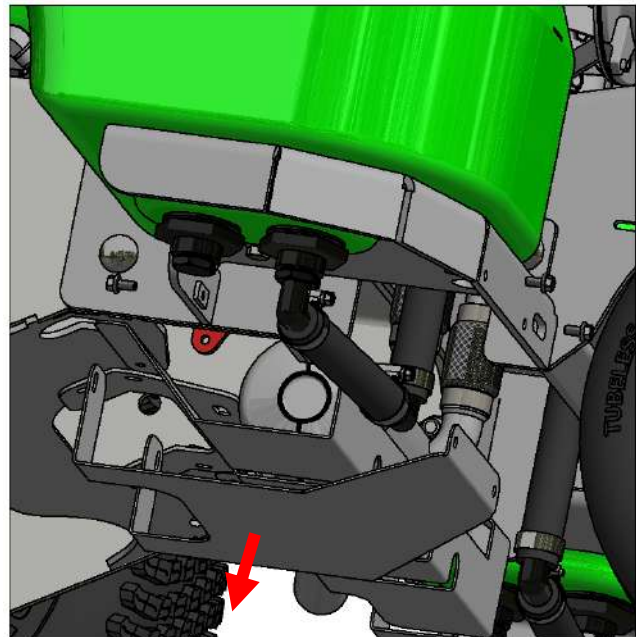
K10015 STANDARD				K10016 35 GALLON TANK OPTION			
ITEM	PART NUMBER	QTY.	DESCRIPTION	ITEM	PART NUMBER	QTY.	DESCRIPTION
PREASSEMBLED				PREASSEMBLED			
1	TG100	1	1" HOSE, GREEN - 3-1/8"	1	TG100	1	1" HOSE, GREEN - 3-1/8"
2		1	1" HOSE, GREEN - 15-1/8"	2		1	1" HOSE, GREEN - 9"
3		1	1" HOSE, GREEN - 16"	3		1	1" HOSE, GREEN - 5-1/2"
4	3T100	1	1" BARB TEE	4		1	1" HOSE, GREEN - 16"
5	12HS	5	HOSE CLAMP	5		1	1" HOSE, GREEN - 32-3/4"
6	TG100	2	1" HOSE, GREEN - 55-1/2"	6	3T100	2	1" BARB TEE
7		1	1" HOSE, GREEN - 23-1/2"	7	12HS	9	HOSE CLAMP
8	EL100 HB	7	3/4" X 1" BARB ELBOW	8	TG100	2	1" HOSE, GREEN - 55-1/2"
9	S52017	2	3/4" X 1" BARB	9		1	1" HOSE, GREEN - 23-1/2"
				10	EL100 HB	9	3/4" X 1" BARB ELBOW
				11	S52017	3	3/4" X 1" BARB

CAUTION!

Before continuing with the following steps, be sure All liquid tanks are fully drained.

STEP ONE: Remove the protective shield from bottom of the tank (1/4" bolts).

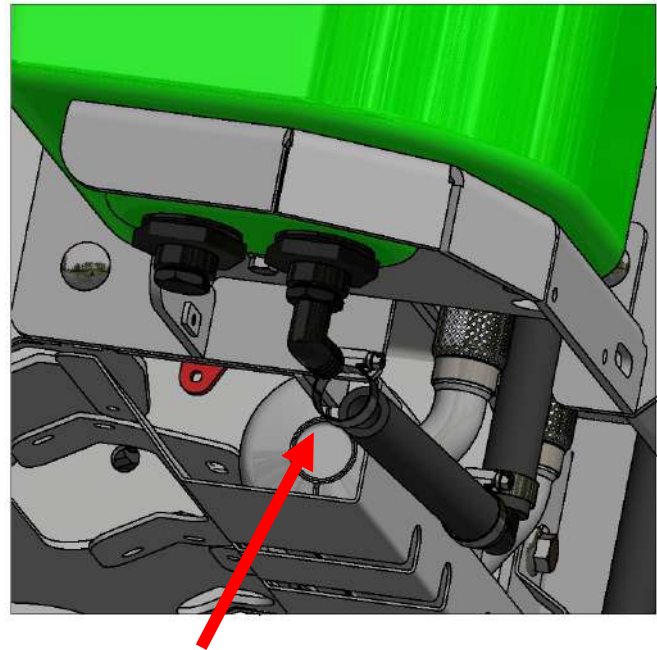
NOTE: Repeat the process for the left side of the machine for steps 1-6.



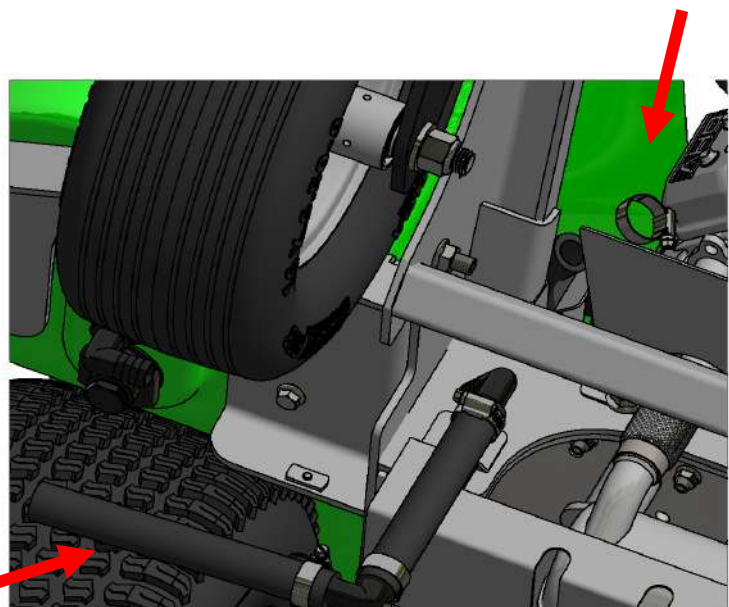
HI FLOW PUMP 1" HOSE SWAP

STEP TWO: Loosen the hose clamp and disconnect the suction hose.

NOTE: *Before disconnecting the hose place a drip pan under it to catch any excess fluid.*



STEP THREE: *With the drip pan still in place,* Loosen the hose clamp from the suction hose and remove the "drop hose" assembly.

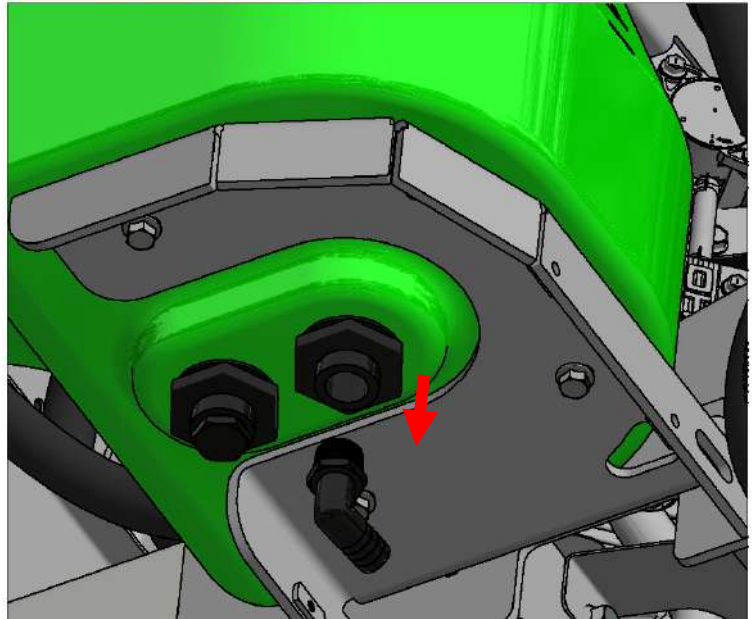


Drop hose assy.

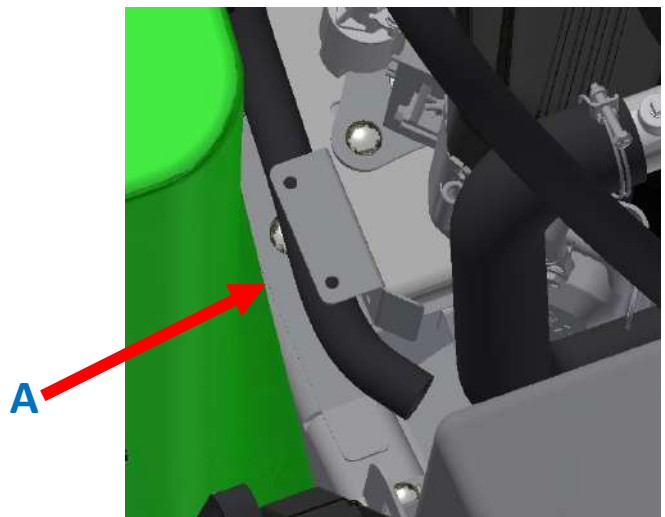
HI FLOW PUMP 1" HOSE SWAP

STEP FOUR: Remove the 3/4" elbow fitting from the tank and replace it with the 3/4" X 1" "barb elbow" (EL100 HB) provided with the kit.

NOTE: *Be sure to use pipe dope on the threads.*



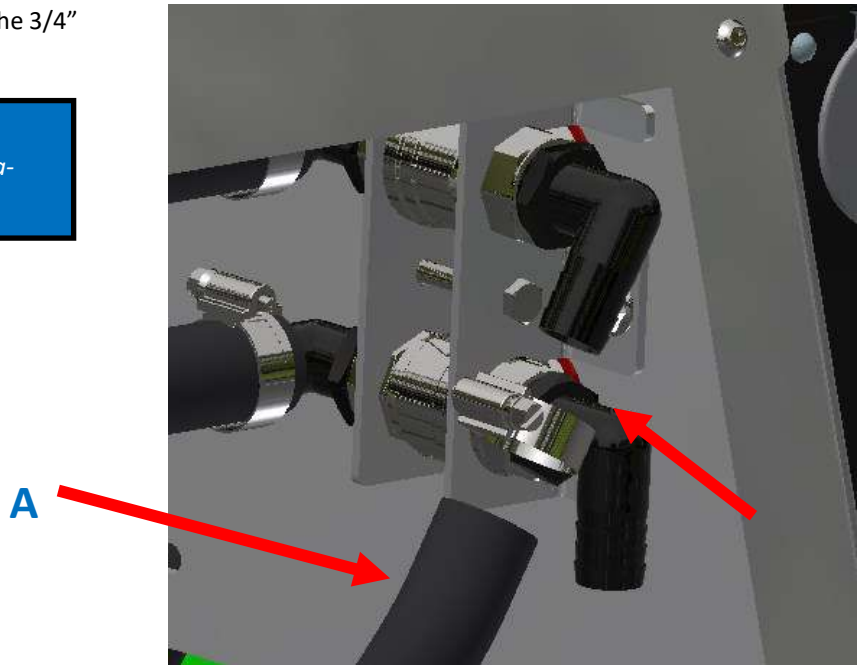
STEP FIVE: Cut the zip ties to free the suction hose. (5) on the right & (4) on the left.



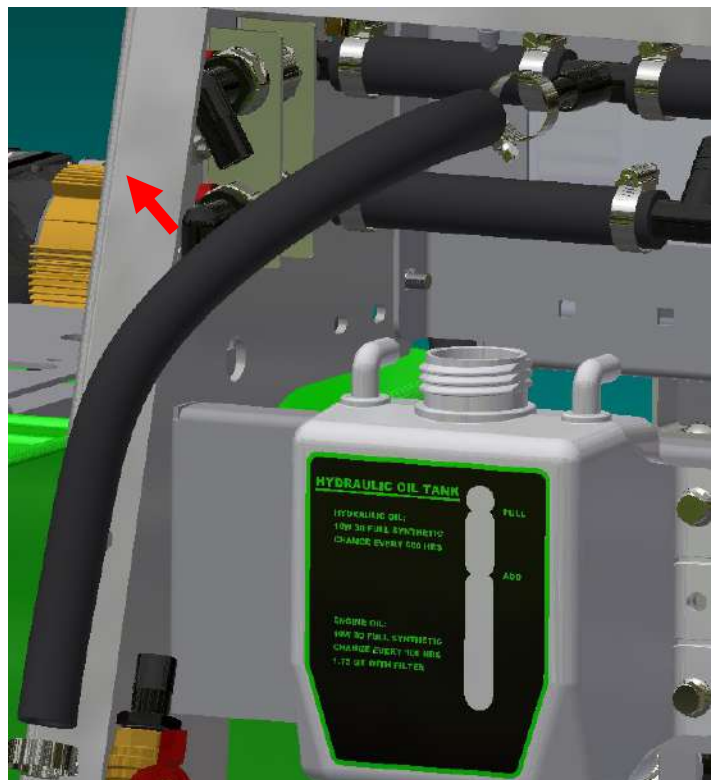
HI FLOW PUMP 1" HOSE SWAP

STEP SIX: Loosen the hose clamp & remove the 3/4" hose from the suction valve.

NOTE: Suction hoses (from the valves to the tanks) should be free to remove from the machine.



STEP SEVEN: Loosen the hose clamps & remove the suction hose from the strainer to the suction line.



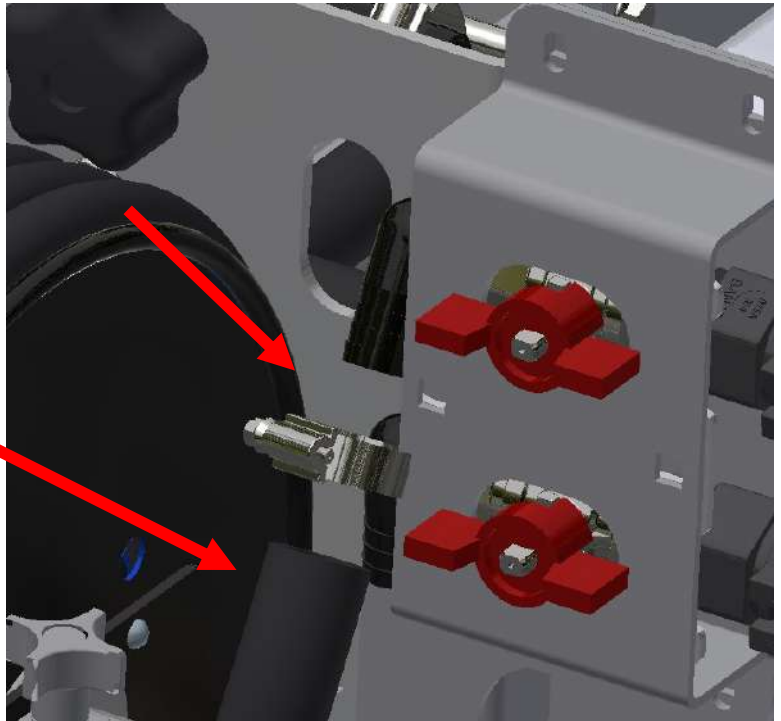
HI FLOW PUMP 1" HOSE SWAP

NOTE: If your machine is **NOT** equipped with the 35 gallon tank option, proceed to step twelve.

STEP EIGHT:

- Loosen the hose clamp & remove the 3/4" hose from the *quick disconnect* suction valve.

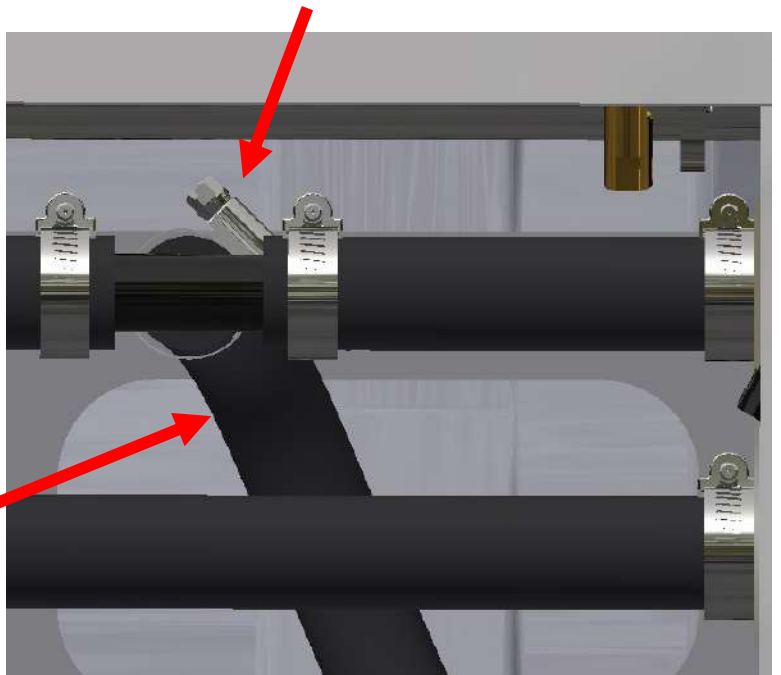
B



- Loosen the hose clamp & remove the suction hose from the *quick disconnect* valve.

NOTE: The hose should now be free & able to be removed from the machine.

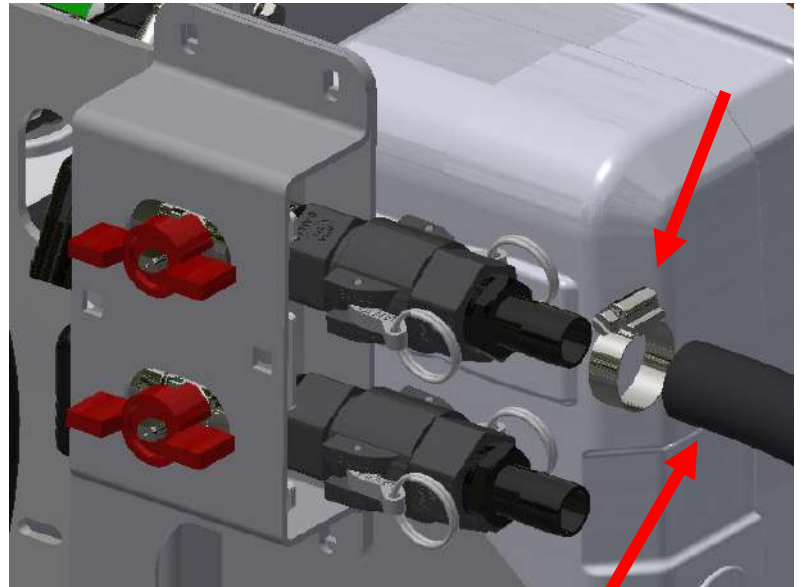
B



HI FLOW PUMP 1" HOSE SWAP

STEP NINE:

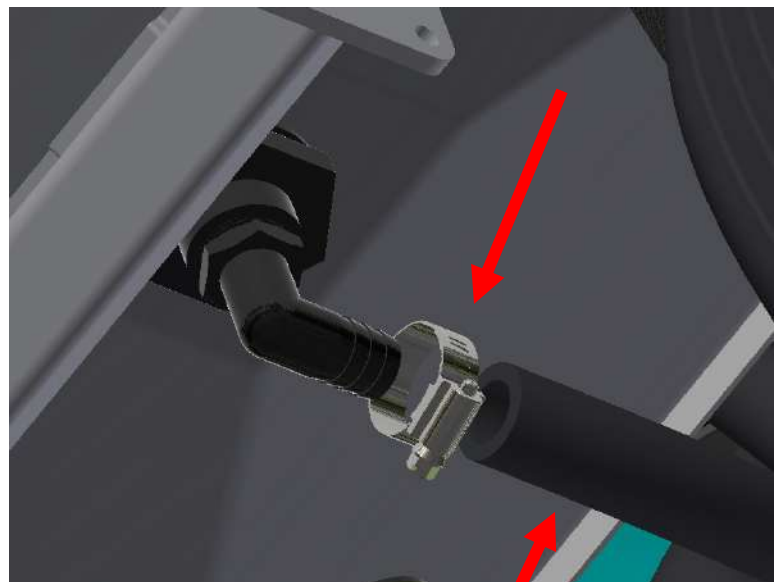
- Loosen the hose clamp & remove the 3/4" hose from the *quick disconnect* suction fitting.



C

- Loosen the hose clamp & remove the suction hose from the 35 gal. tank suction.

NOTE: *The hose should now be free & able to be removed from the machine.*



C

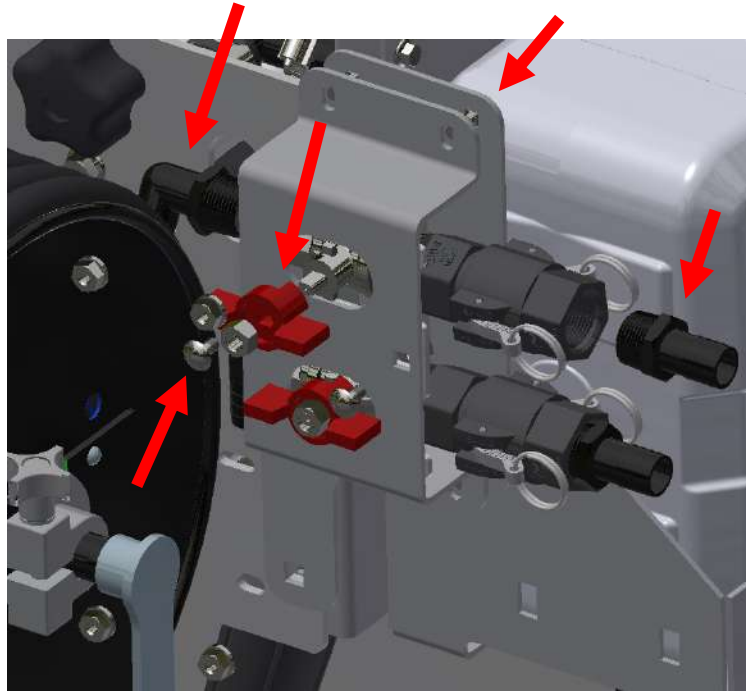
HI FLOW PUMP 1" HOSE SWAP

STEP TEN:

- Loosen the (4) bolts to free the quick disconnect valve assembly.
- Remove the red handle from the top valve.
- Loosen or remove the (2) bolts to free the valves from the plate.
- Remove the 3/4" elbow fitting & the 3/4" straight fitting, replace the with 3/4" X 1" elbow (EL100 HB) & straight (S52017) fittings provided with the kit.

NOTE: Be sure to use pipe dope on pipe threads.

- Reattach the valve assembly to the plate and back on to the machine.



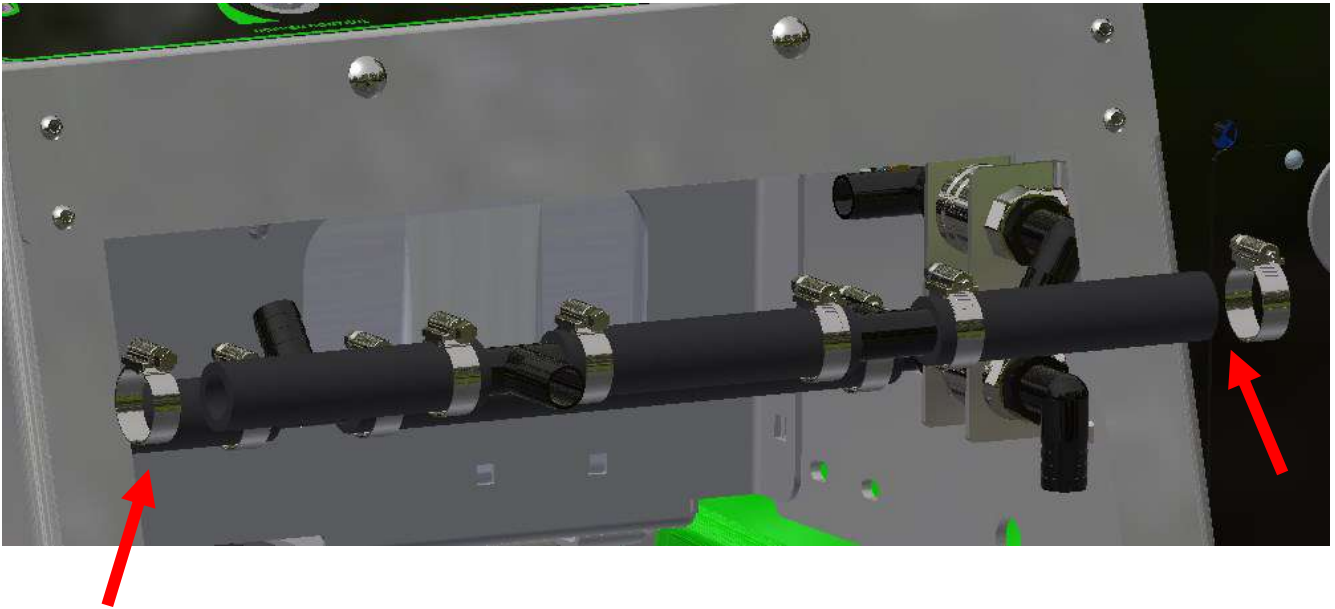
STEP ELEVEN: Remove the 3/4" elbow fitting from 35 gal. tank suction port & install the 3/4" X 1" elbow provided with the kit (EL100 HB).

NOTE: Be sure to use pipe dope on pipe threads.



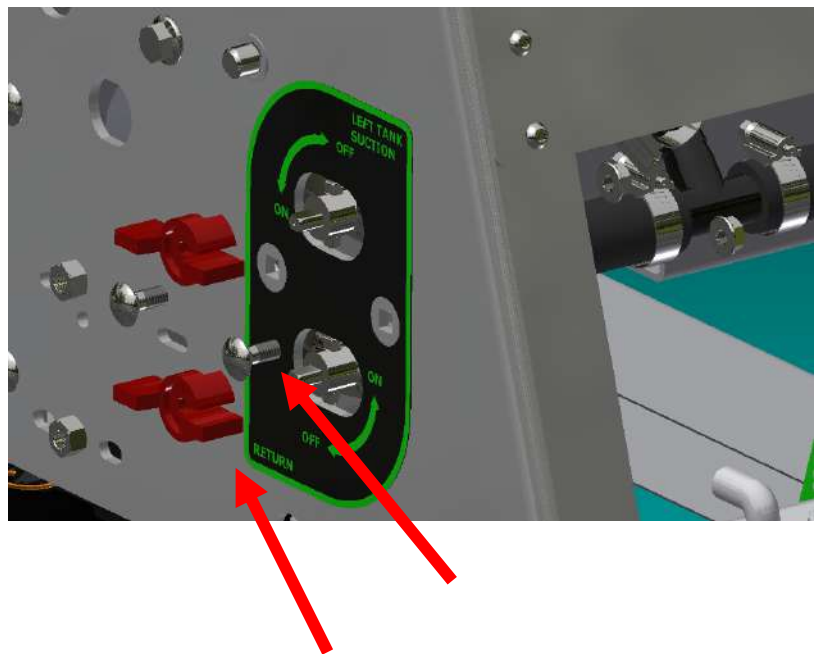
HI FLOW PUMP 1" HOSE SWAP

STEP TWELVE: Loosen the hose clamps on the left & right suction valves and remove the 3/4" suction hose assembly from the suction valves.



STEP THIRTEEN:

- Remove the 9/16" nuts & red handles from the valves.
- Loosen the bolts to free the valve assembly.

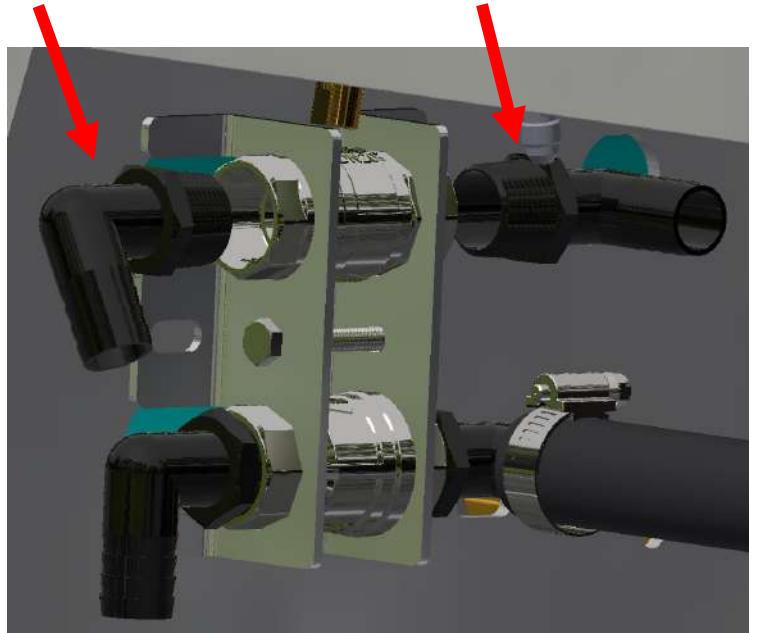


HI FLOW PUMP 1" HOSE SWAP

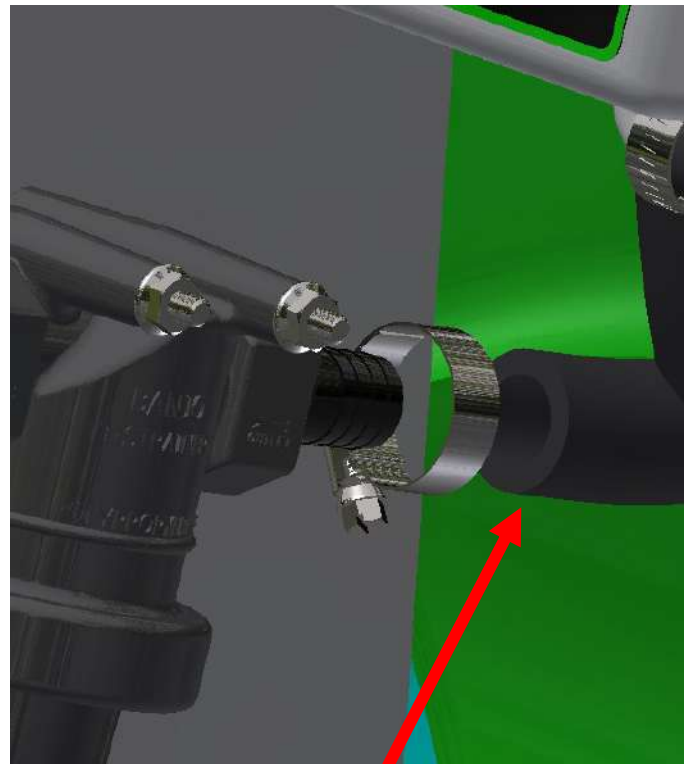
- With the valve assembly loose, remove the both of the suction valve elbows & replace them with (2) of the 3/4" X 1" barb elbows provided with the kit (EL100 HB).
- Reattach the valve assembly.

NOTE:

- *Be sure to use pipe dope on the pipe threads.*
- *The orientation of the elbows.*
- *Repeat step twelve for the right side.*



STEP FORTEEN: Loosen the hose clamp & remove the suction hose from the strainer "outlet" port.



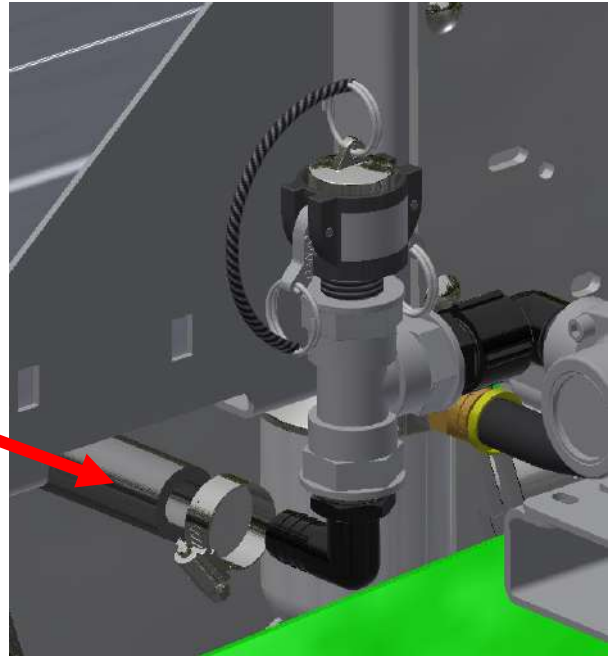
D

HI FLOW PUMP 1" HOSE SWAP

STEP FIFTEEN: Loosen the hose clamp & remove the suction hose from the pump "inlet" port.

NOTE: *The hose should now be free & able to be removed from the machine.*

D



STEP SIXTEEN: Remove the fittings from the strainer and install the 3/4" X 1" barb fittings provided with the kit (S52017).

NOTE: *Be sure to use pipe dope on pipe threads.*

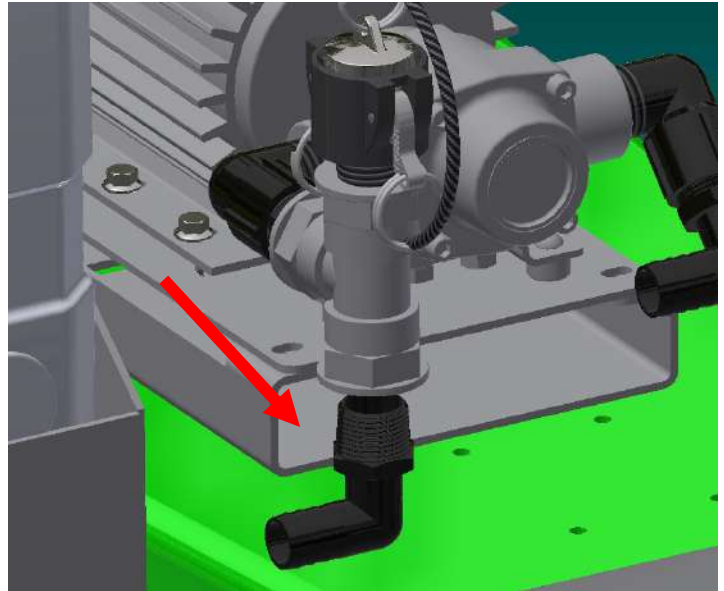


HI FLOW PUMP 1" HOSE SWAP

STEP SEVENTEEN:

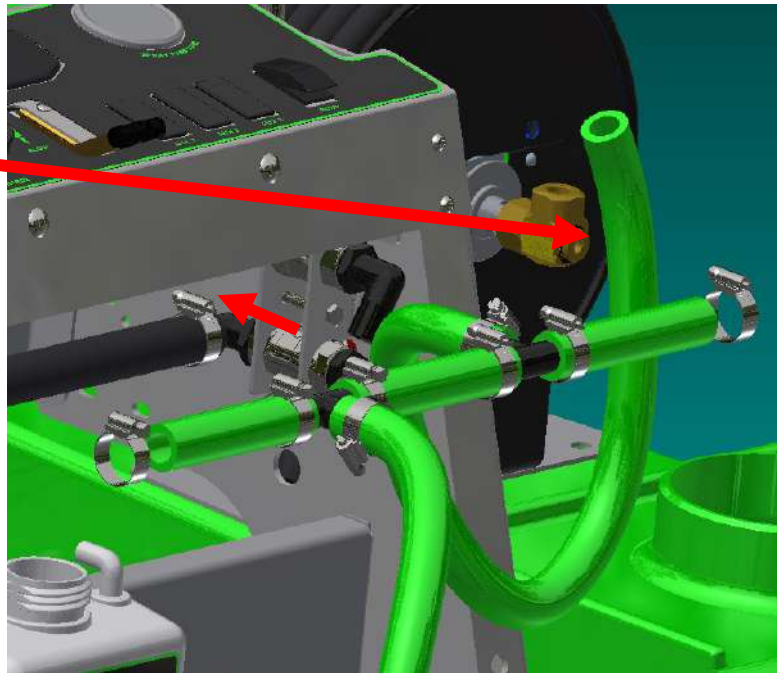
- Remove the 3/4" elbow fitting from the "inlet" port of the pump.
- Replace it with the 1" barb fitting provided with the kit (EL100 HB).

NOTE: *Be sure to use pipe dope on pipe threads.*



STEP EIGHTEEN: Install the 1" suction hose assembly provided with the kit to the suction valves & securely fasten with hose clamps.

NOTE: *Picture shown with additional suction hose for optional 35 gallon tank.*

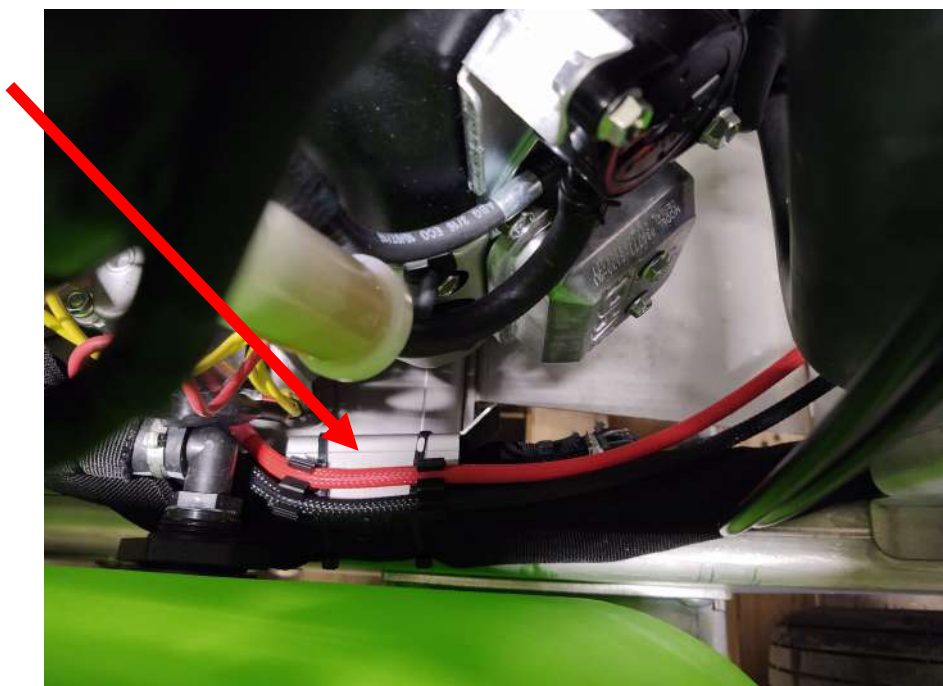
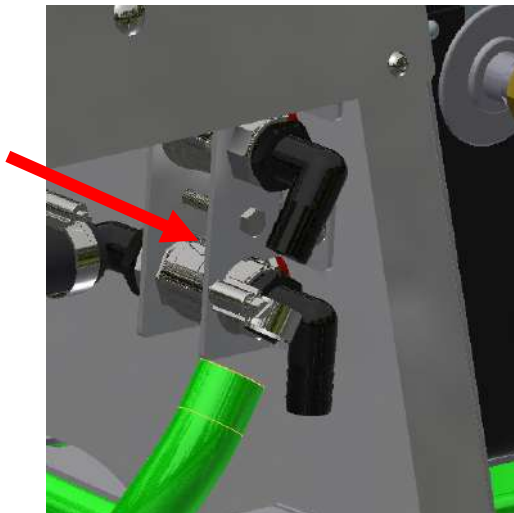
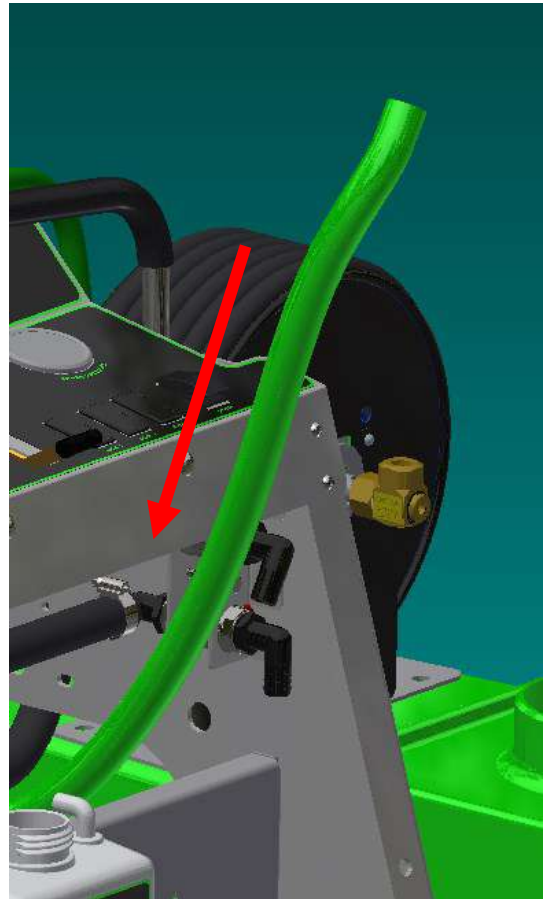


HI FLOW PUMP 1" HOSE SWAP

STEP NINETEEN:

- Feed the "green" 1" X 55-1/2" hose down through the upright, along the frame & hose guide with the existing hoses.
- Connect the end of the hose to the suction valve & securely fasten with hose clamp.

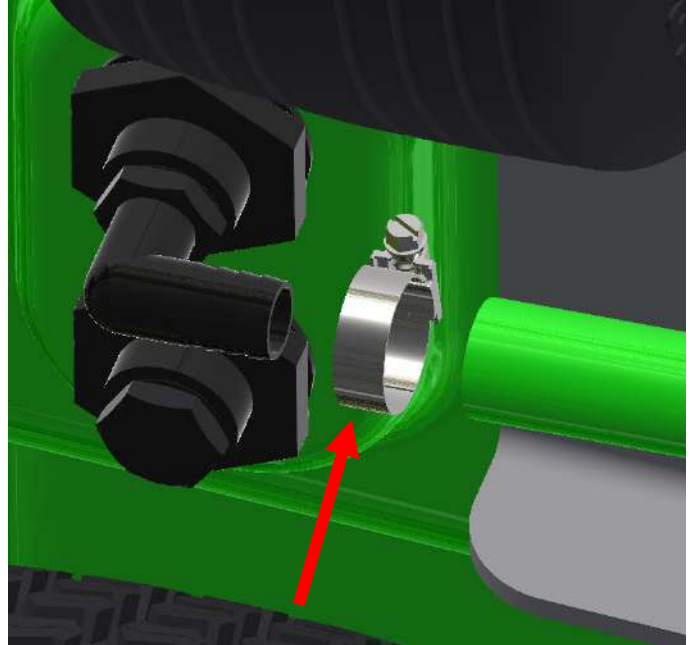
NOTE: Repeat this step for the left side.



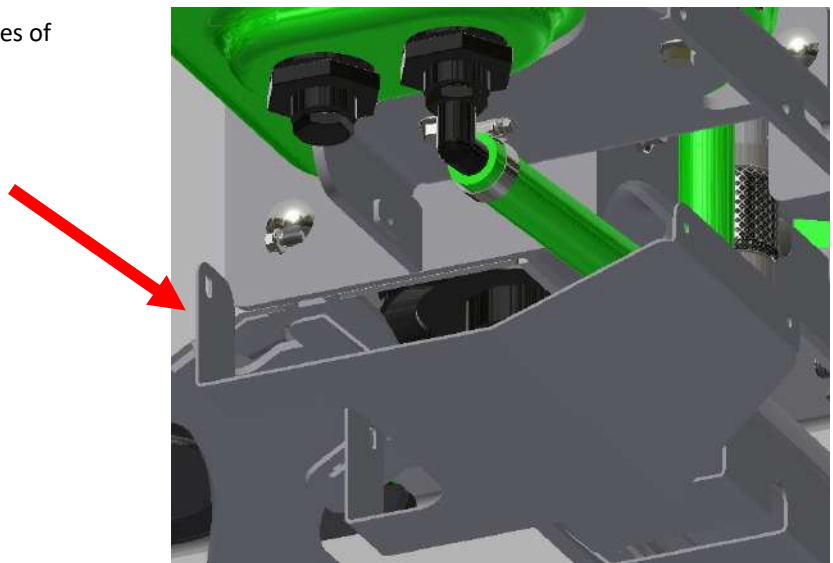
HI FLOW PUMP 1" HOSE SWAP

- Connect the other end of the hose to the suction port of the tank.

NOTE: Repeat this step for the left side.



- Reattach the protection shields to both sides of the machine.



HI FLOW PUMP 1" HOSE SWAP

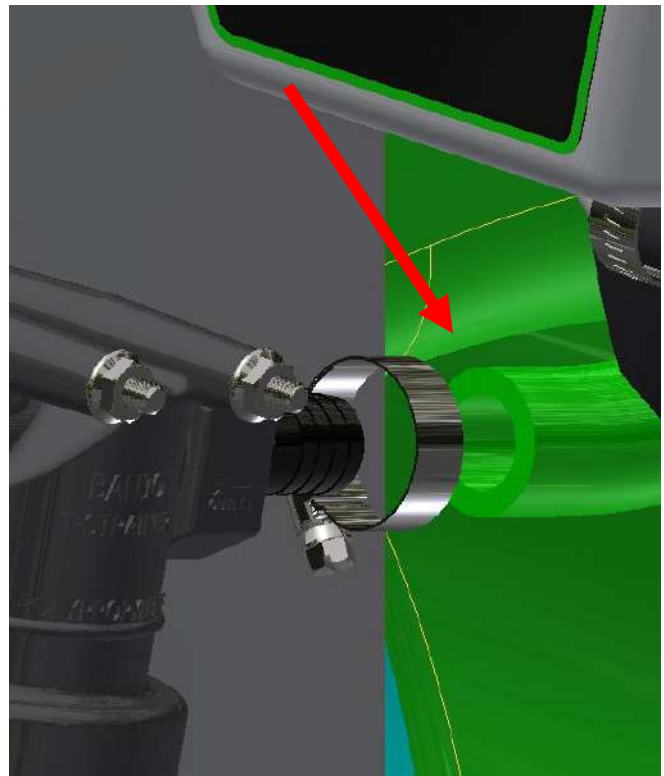
STEP TWENTY: Connect the "green" 1" X 16" hose to the inlet valve of the strainer & securely fasten with hose clamp.

NOTE: *The other end of the hose will come pre-fastened to the suction hose assembly.*



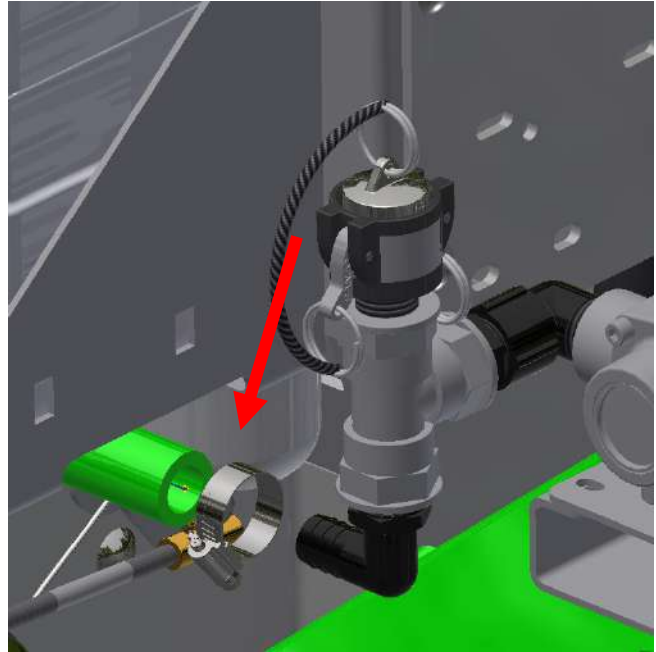
STEP TWENTYONE:

- Connect the end of the "green" 1" X 23-12" hose to the outlet port of the strainer.
- Securely fasten with hose clamp.
- Route the hose through the upright, & up to the pump.



HI FLOW PUMP 1" HOSE SWAP

- Connect the other end of “green” 1” X 23-1/2” hose to the inlet port of the pump.
- Securely fasten with hose clamp.

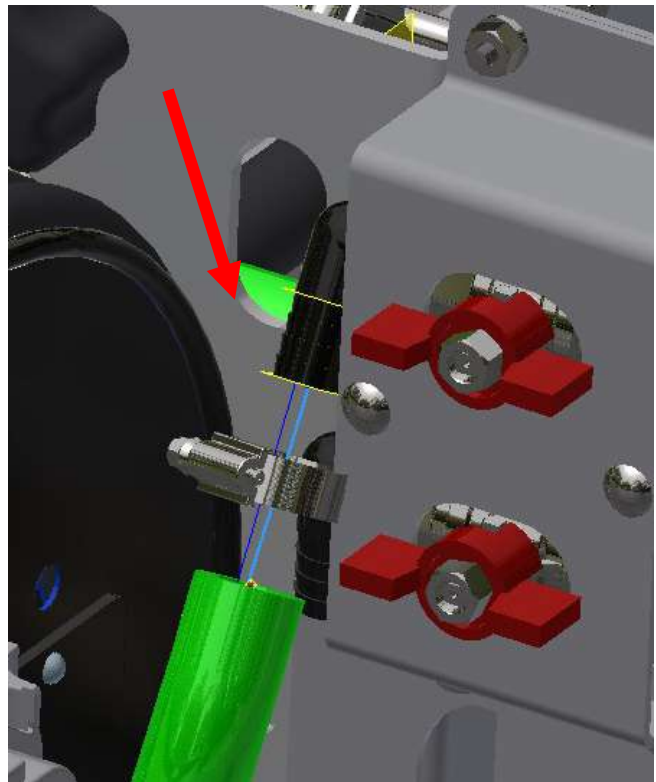


NOTE: Proceed with step 22-25 ONLY if your machine is equipped with optional 35 gallon tank.

STEP TWENTYTWO:

- Connect the end of the “green” 1” X 32-3/4” hose to the suction quick disconnect valve.
- Securely fasten with hose clamp.

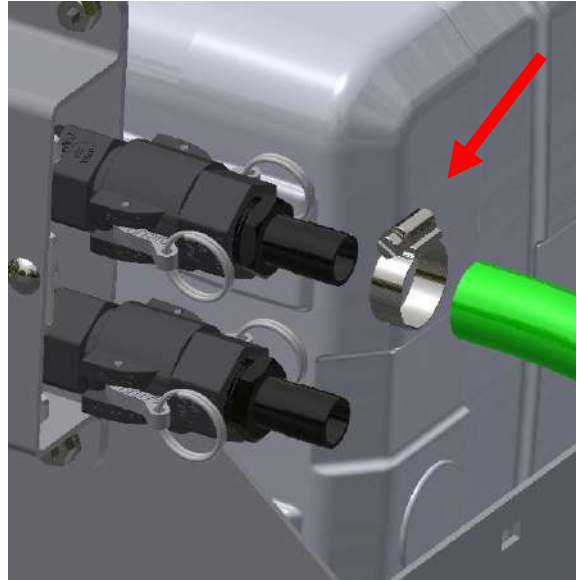
NOTE: The other end of the hose is pre-fastened to the suction hose assembly (ref. step nineteen).



HI FLOW PUMP 1" HOSE SWAP

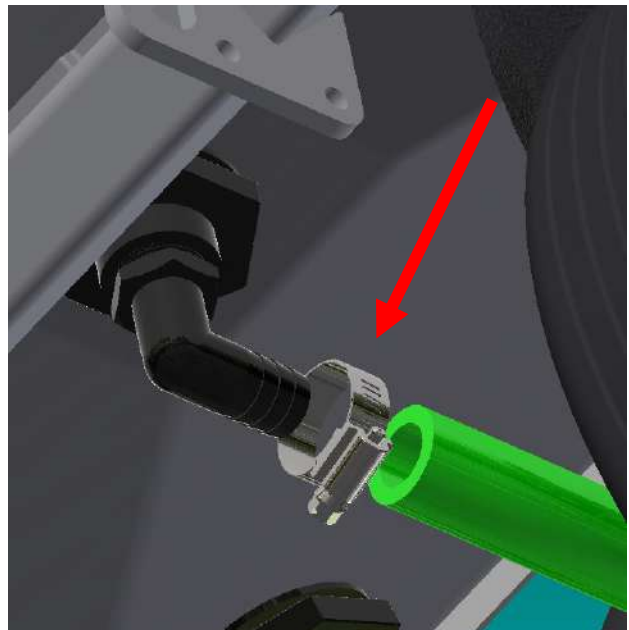
STEP TWENTYTHREE:

- Connect one end of "green" 1" X 46-1/2" hose to the quick disconnect valve.
- Securely fasten with hose clamp.
- Route the down in front of the engine to the bottom of the 35 gallon tank.



STEP TWENTYFOUR:

- Connect the other end of "green" 1" X 46-1/2" hose to the suction port on the bottom of the 35 gallon tank.
- Securely fasten with hose clamp.



HI FLOW PUMP 1" HOSE SWAP

NOTES

HI FLOW PUMP 1" HOSE SWAP

NOTES



Steel Green Mfg.
 824 S State Road 39
 Lebanon, IN 46052
 (765)-481-2890
www.steelgreenmfg.com

MANUAL PART NO.	MANUAL REV.	DESCRIPTION	KIT PART NO.
SGM-021	B	SG HI FLOW PUMP 1IN SUCTION HOSE SWAP	K10015-STANDARD K10016-35 GALLON