

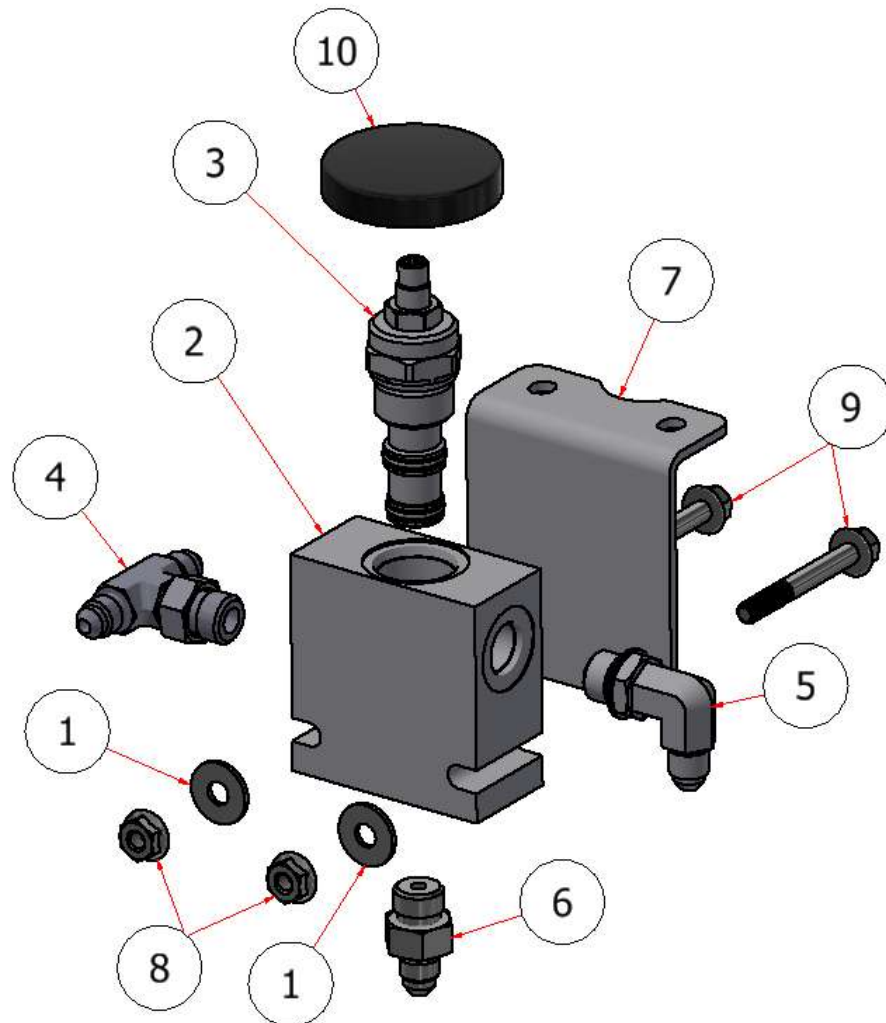
INSTRUCTION MANUAL

HOPPER CONTROL VALVE

Models: SG36, SG42, SG46, SG52, & SGXL



HOPPER CONTROL VALVE INSTRUCTIONS



PARTS LIST			
ITEM	QTY	PART NUMBER	DESCRIPTION
1	19	FWSS-14	FLAT WASHER, SS - 1/4
2	1	H81430	VALVE, HYDROFORCE
3	1	H81430-S	VALVE, SPOOL
4	1	H84028	TEE FITTING, 1/4 ORB X 1/4 MJIC
5	1	H84000-L	FITTING, HOPPER MOTOR
6	1	H84003	1/4 MALE JIC x 3/8 ORB STR
7	1	R21-136	VALVE BRACKET
8	8	HFNCS-14S	HEX FLANGE NUT, 1/4
9	2	HFSSC-142	HEX FLANGE BOLT, 1/4 X 2
10	1	H81431	VALVE KNOB

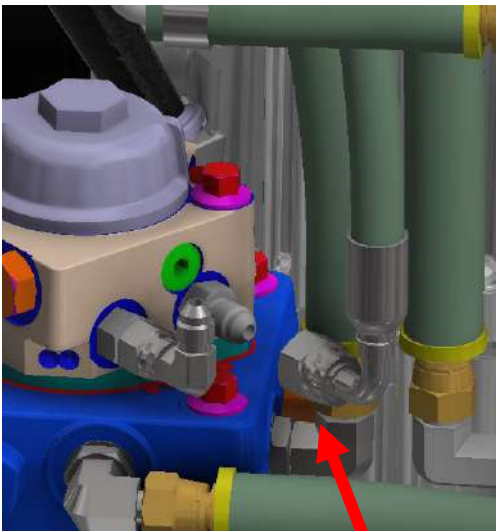
HOPPER CONTROL VALVE INSTRUCTIONS

Installing The Hopper Control valve

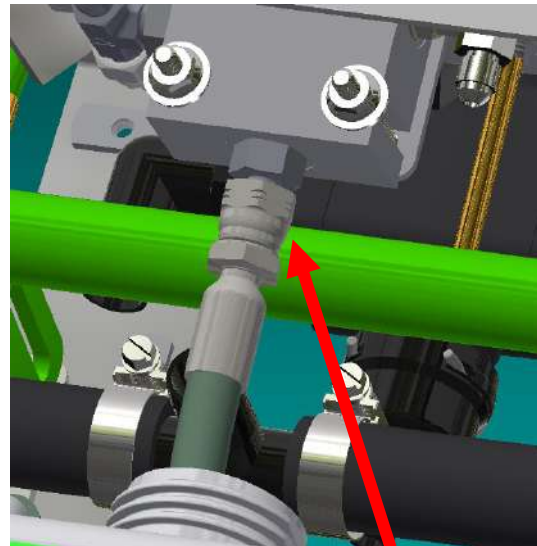
STEP ONE: Attach the hydraulic control valve to the dash panel.



STEP TWO: Connect the supply hydraulic hose from the left hydraulic pump to the control valve. *The end with the 90° fitting goes to the pump.*



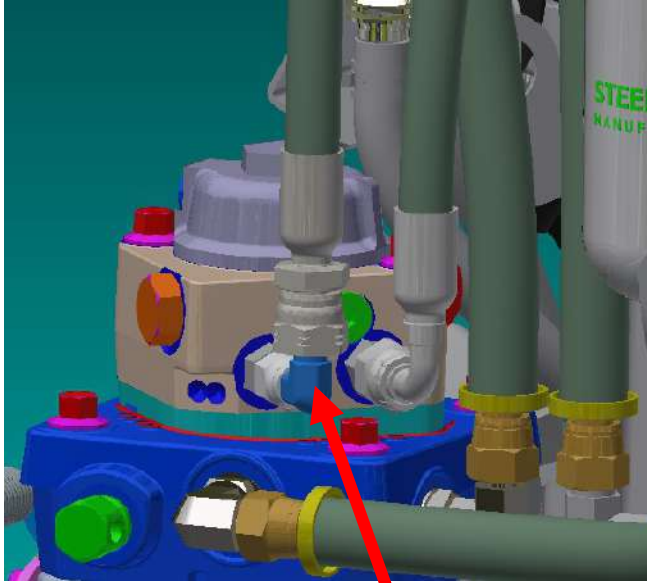
A



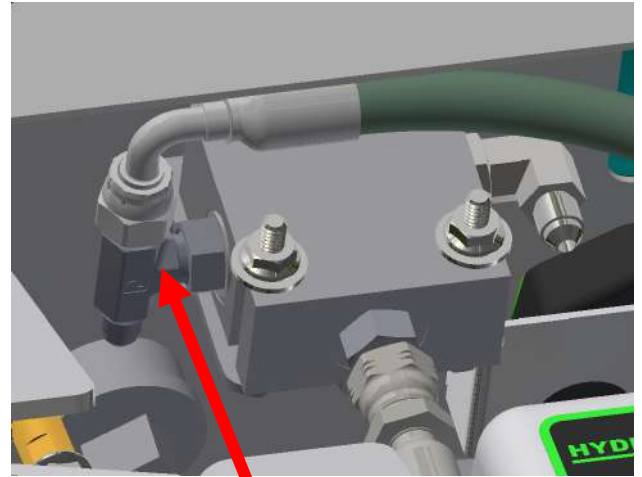
A

HOPPER CONTROL VALVE INSTRUCTIONS

STEP THREE: Connect the return hydraulic hose from the left hydraulic pump to the control valve. *The end with the 90° fitting goes to control valve.*



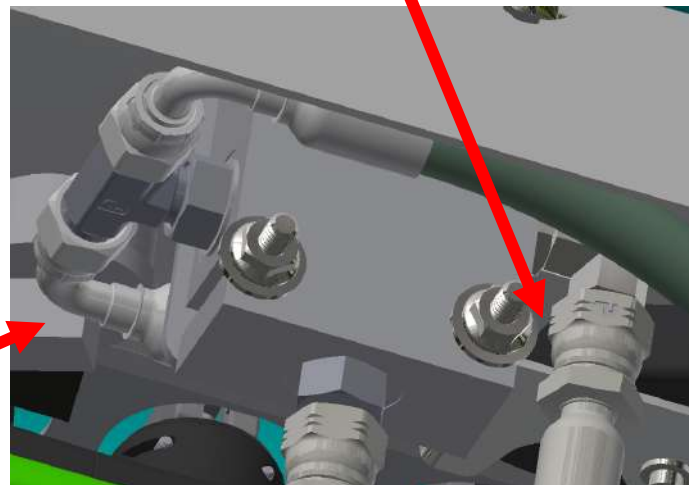
B



B

STEP FOUR: Connect the hopper motor hoses to the control valve.

Supply straight fitting



Return 90° fitting

HOPPER CONTROL VALVE INSTRUCTIONS

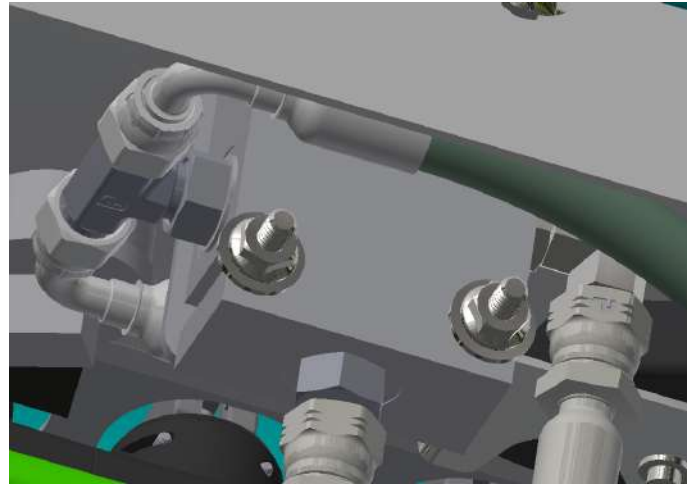
CAUTION!

Before performing maintenance on the valve, be sure there is no pressure on the system and hydraulic oil has been drained. (Refer to the SG hydraulic oil change manual)

Maintenance: (Spool Valve Replacement)

STEP ONE:

- Disconnect the hoses from the valve.



- Remove the hopper control knob.

- Remove the bolts in the dash to drop the control valve.



HOPPER CONTROL VALVE INSTRUCTIONS

STEP TWO:

- Loosen the nut to remove the spool valve.



NOTE: Before installing the new spool, remove the small packing nut.

- Install the new spool valve



- reattach the valve to the dash.
- Reinstall the control knob.





Steel Green Mfg.
824 S State Road 39
Lebanon, IN 46052
(765)-481-2890
www.steelgreenmfg.com

MANUAL PART NO.	MANUAL REV.	DESCRIPTION	KIT PART NO.
SGM-024	B	SG HOPPER CONTROL VALVE	A10033