

## INSTRUCTION MANUAL

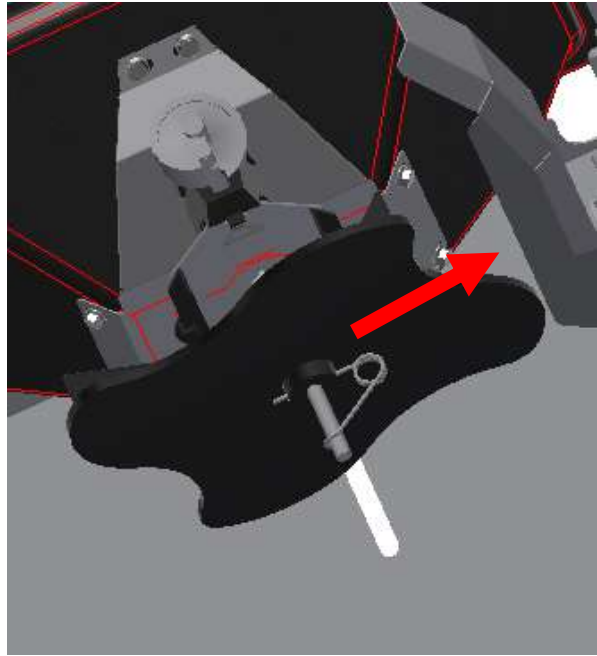
### HOPPER DRAIN

Models: SG36, SG42, SG46, & SG52

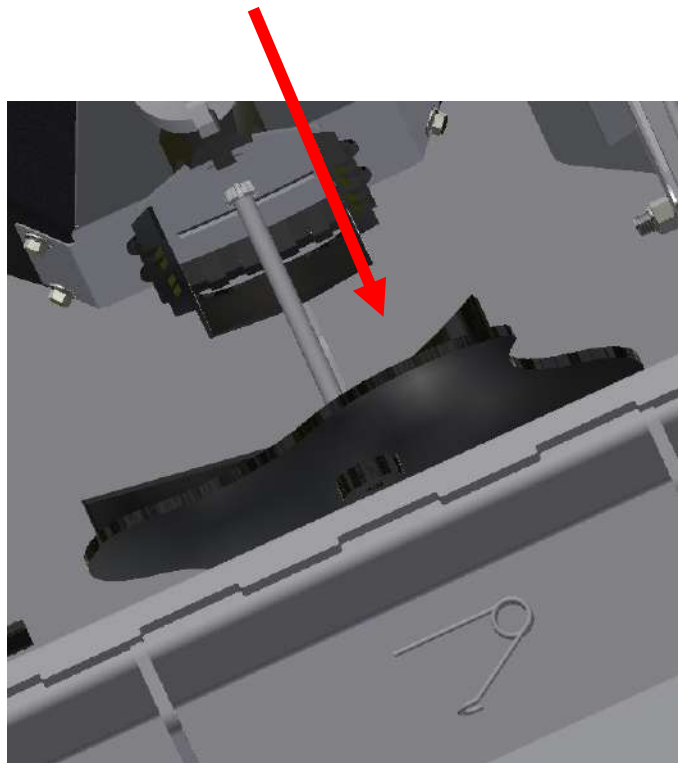


## HOPPER DRAIN INSTRUCTIONS

**STEP ONE:** Squeeze and rotate the spring to disconnect it from the rod, then pull it out of the spinner.

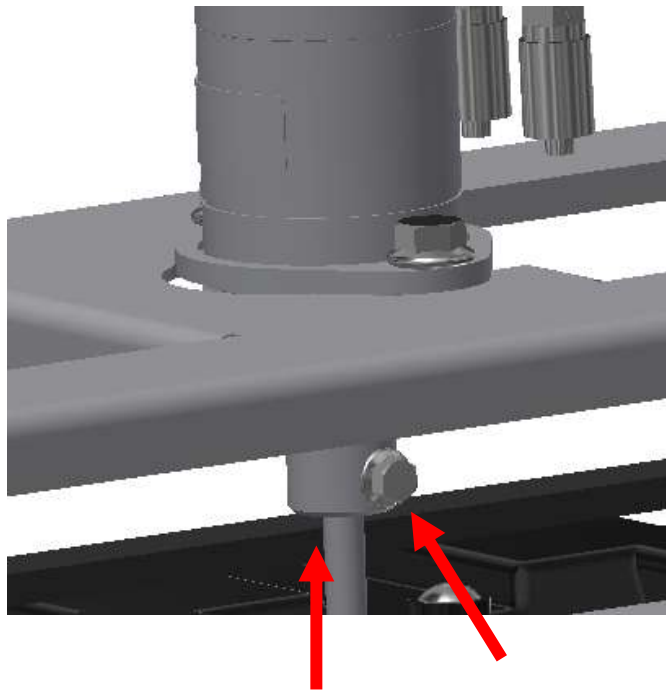


**STEP TWO:** Slide the spinner off of the rod.

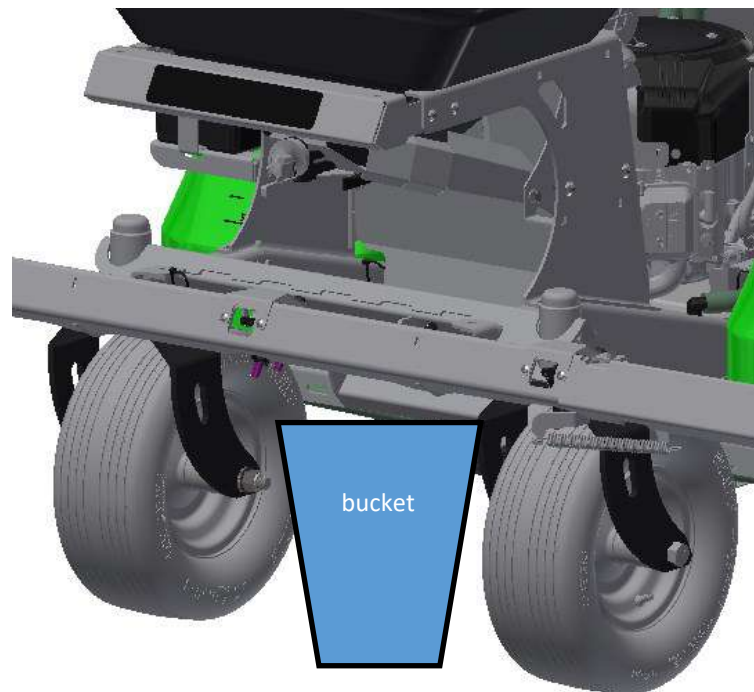


## HOPPER DRAIN INSTRUCTIONS

**Note:** It may be necessary to loosen the bolt and move the rod up to allow enough room to remove the spinner.



**STEP TWO:** Place a bucket under the hopper trap, open the trap to drain the hopper.





Steel Green Mfg.  
824 S State Road 39  
Lebanon, IN 46052  
(765)-481-2890  
[www.steelgreenmfg.com](http://www.steelgreenmfg.com)

MANUAL PART NO.	MANUAL REV.	DESCRIPTION
SGM-025	B	SG HOPPER DRAIN