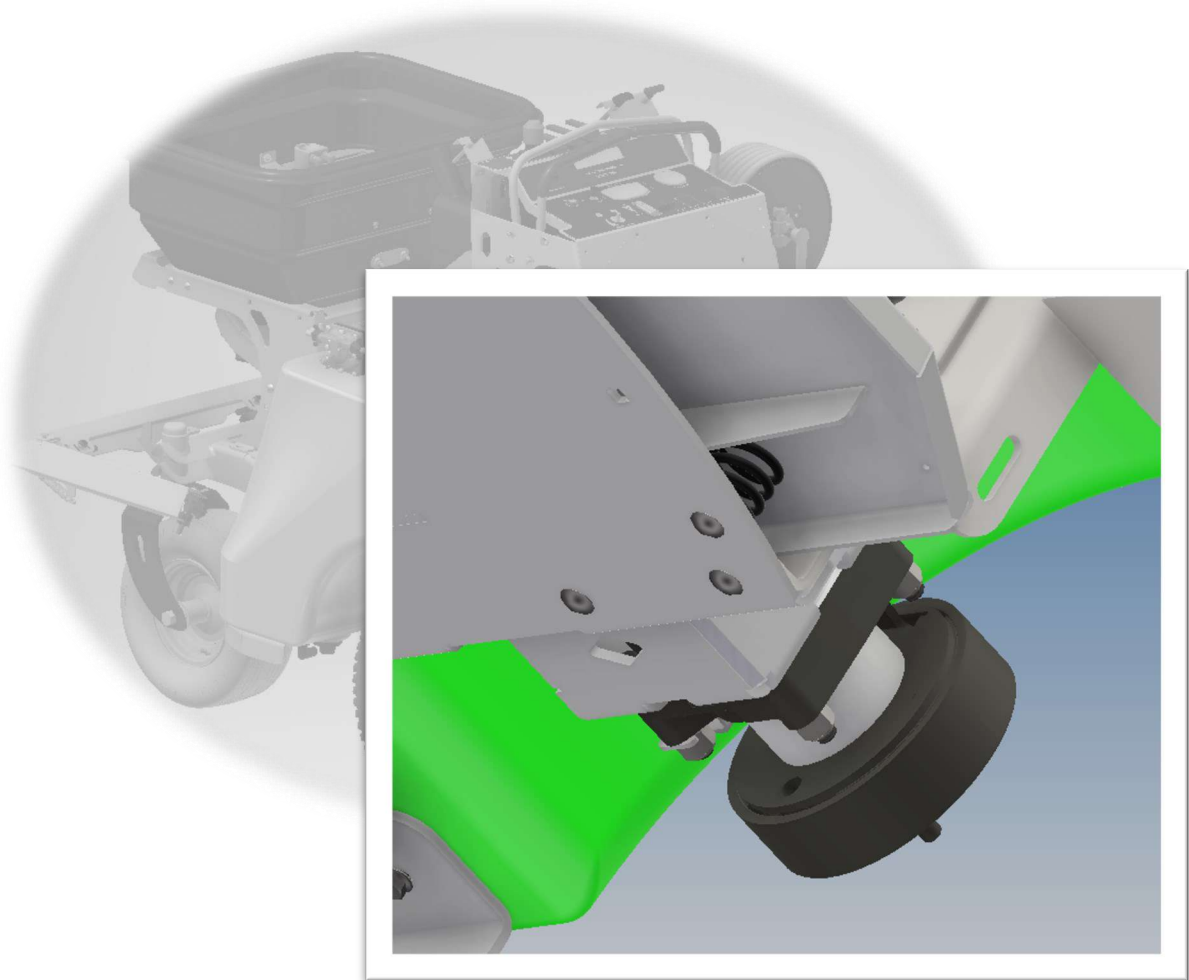


INSTRUCTION MANUAL

PARKING BRAKE ADJUSTMENT

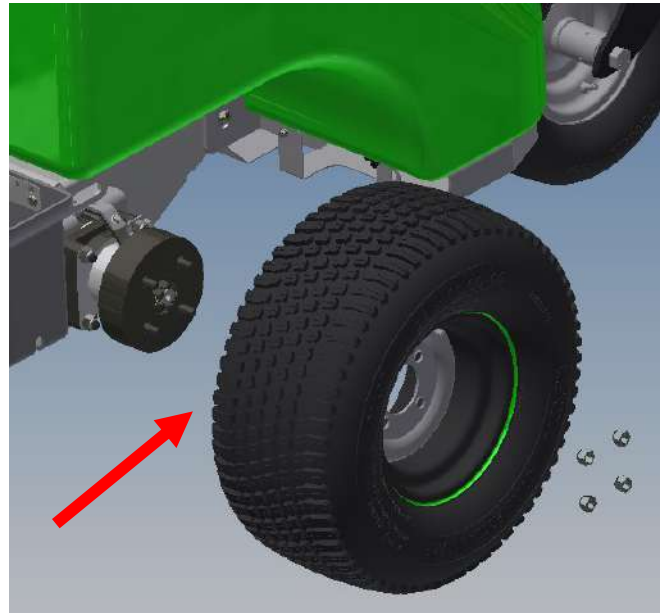
Models: SG36, SG42, SG46, & SG52



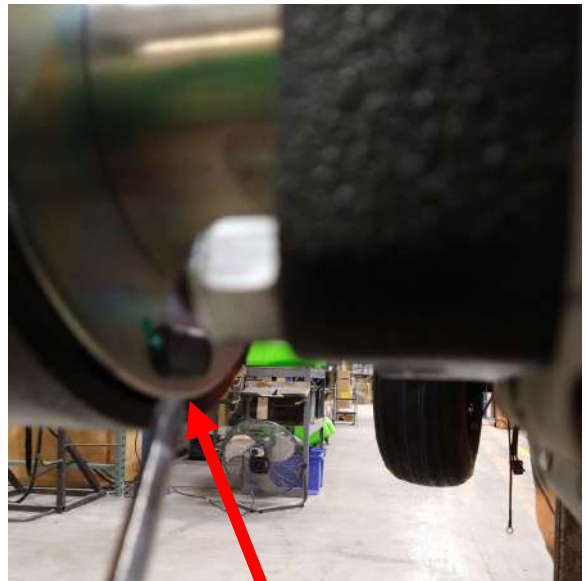
PARKING BRAKE ADJUSTMENT INSTRUCTIONS

NOTE: *Instructions are the same for both sides.*

STEP ONE: Loosen the lug nuts and remove the rear tire.



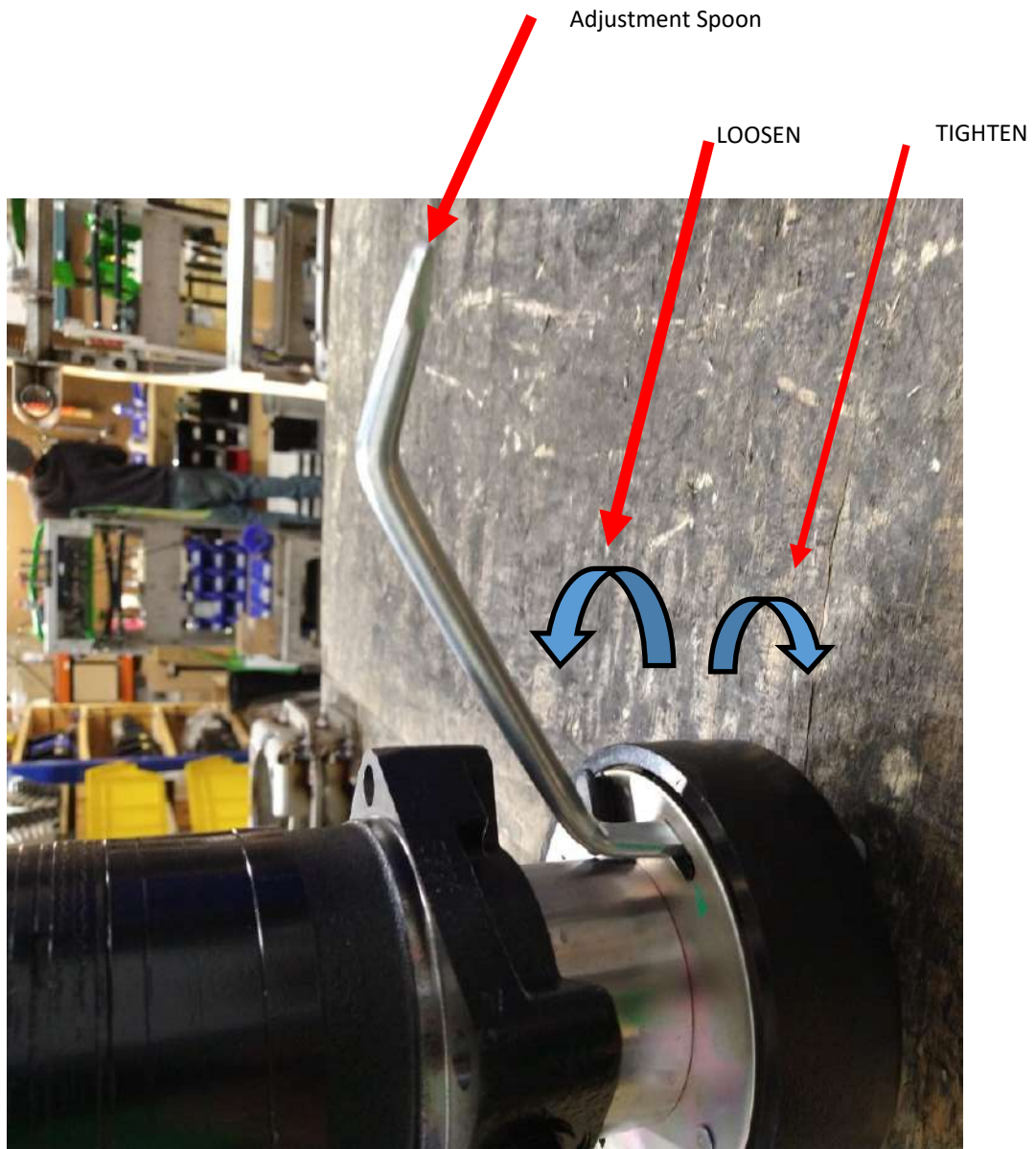
STEP TWO: Locate and remove the rubber tab on the inside of the hub.



PARKING BRAKE ADJUSTMENT INSTRUCTIONS

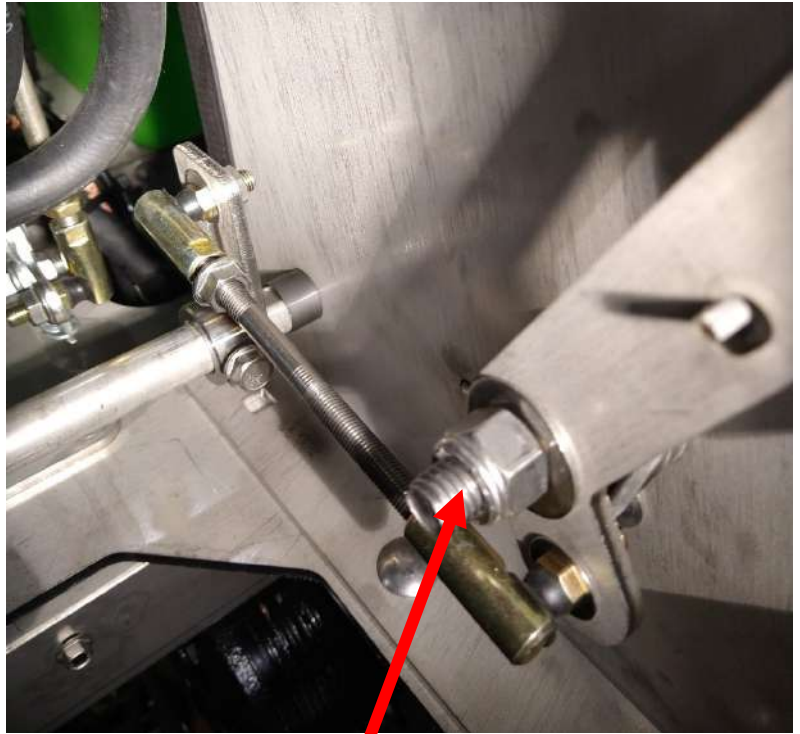
STEP THREE:

- Insert the adjustment spoon
- Pull the spoon down to tighten
- Up to loosen



PARKING BRAKE ADJUSTMENT INSTRUCTIONS

STEP FOUR: Readjust the spring tension by loosening or tightening the spring bolt.





MADE IN THE USA

Steel Green Mfg.
824 S State Road 39
Lebanon, IN 46052
(765)-481-2890
www.steelgreenmfg.com

MANUAL PART NO.	MANUAL REV.	DESCRIPTION
SGM-029	B	SG PARKING BRAKE ADJUSTMENT