



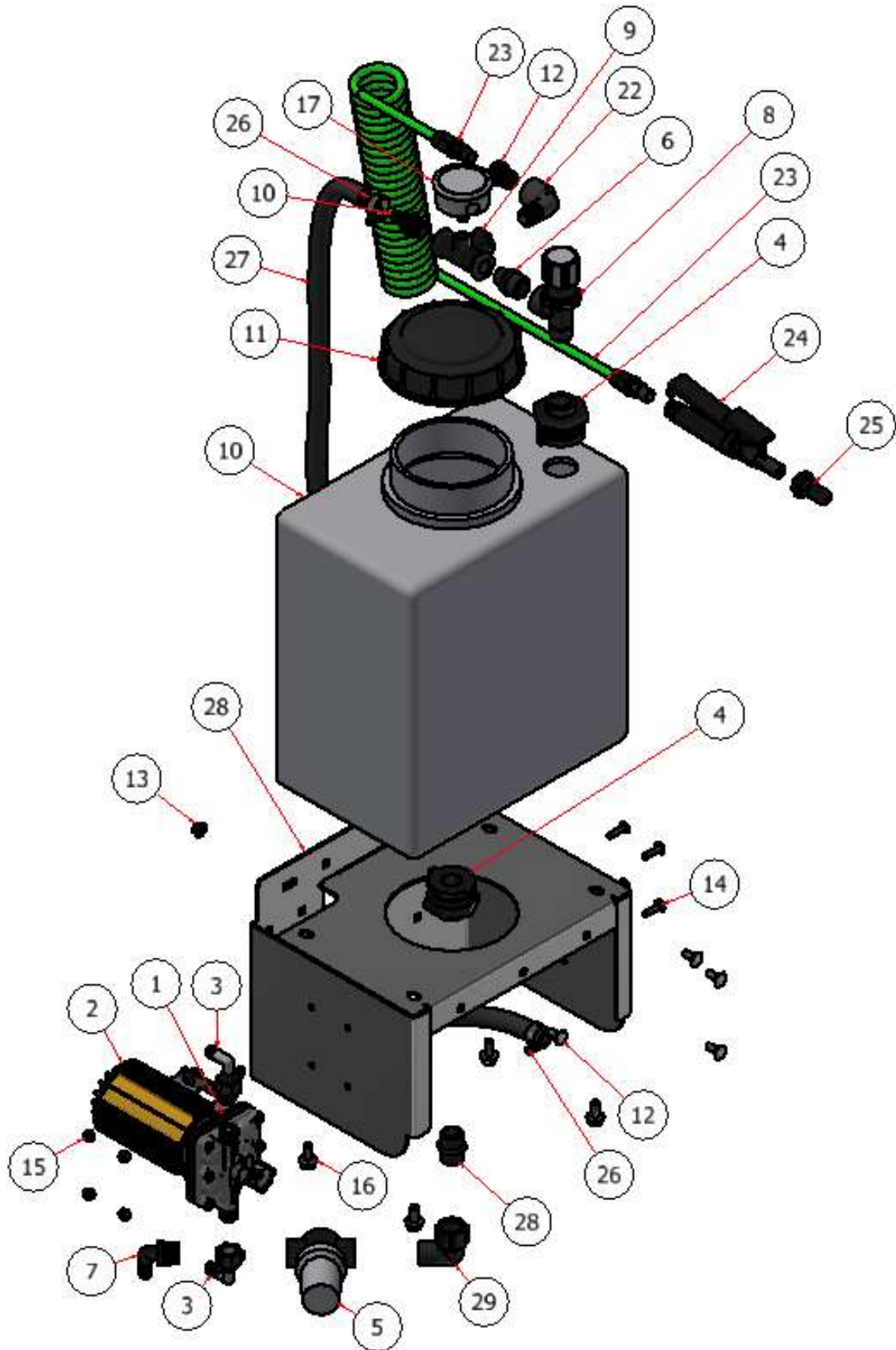
INSTRUCTION MANUAL

7 GAL. INDEPENDENT SPRAYER

Models: SG46, & SG52



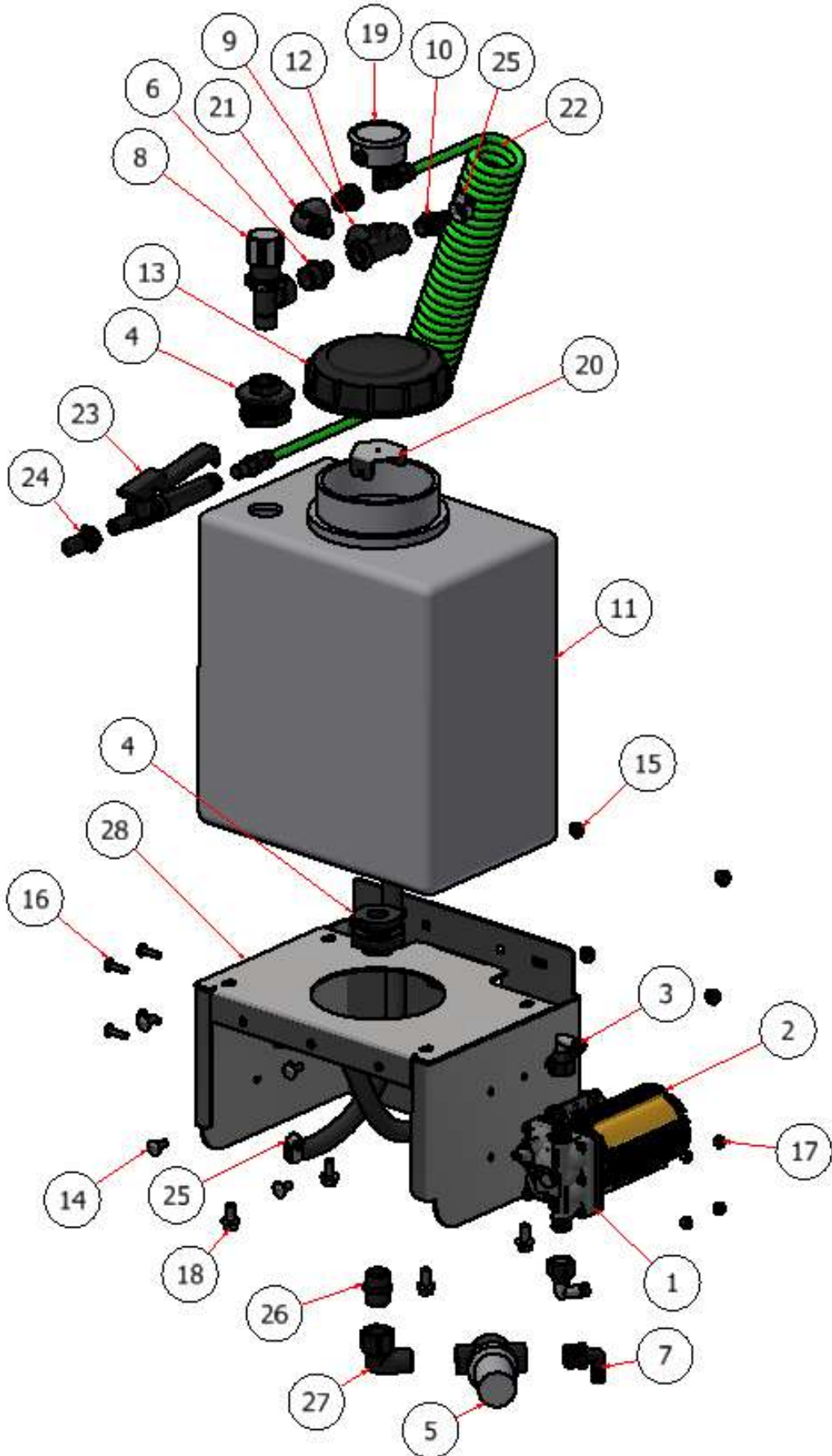
7 GAL. INDEPENDENT SPRAYER EXPLODED VIEW ,LEFT SIDE



7 GAL. INDEPENDENT SPRAYER EXPLODED VIEW, LEFT SIDE

PARTS LIST			
ITEM	QTY	PART NUMBER	DESCRIPTION
1	1	S54000	PUMP, SHURFLO
2	1	S54120	HEAT SINK, SPRAY PUMP
3	2	S54103	PUMP FITTING, BARB, ELBOW, 1/2 X 1/2
4	2	S51242	BULKHEAD FITTING, TANK
5	1	S51270	SPRAY FILTER
6	1	S52063	3/4 X 3/4 ST
7	1	S52028	ELBOW, 3/4 X 1/2 BARB
8	1	S51283	VALVE, THROTTLING
9	1	S52000	TEE, PIPE, 3/4 WITH GAUGE PORT
10	1	M10007-L-IND	TANK, 7 GALLON
11	1	S51243	CAP, TANK
12	4	CB-51634	CARRIAGE BOLT, SS - 5/16-18 x 3/4
13	4	HFNCS-516S	HEX FLANGE NUT, SS - 5/16-18
14	4	TRPC-141S	PHILLIPS SCREW, SS - 1/4-20 x 1
15	4	SSNNC-14	NYLOCK, SS - 1/4-20
16	4	HFSSC-3875	HEX BOLT, 3/8 X 3/4
17	1	S51234-D	PRESSURE GAUGE, 60 PSI
18	1	R21-113	ANTI VORTEX PLATE
19	1	S53019	HOSE, COIL
20	1	S51260	HANDLE, SPRAY
21	1	S52041	90 ELBOW, 3/4 MNPT X 3/4 FNPT
22	4	MS4	HOSE CLAMP, 3/8
23	1	S51261	NOZZLE, SPRAY
24	1	S52013	1/2 MNPT X 1/2 HOSE BARB
25	1	S52064	3/4 X 1/2 REDUCER
26	1	S52040	1/2" 90° Street Elbow
27	1	S52050	1/2 X 1/4
28	1	W22-183	TANK SUPPORT, 7 GAL. SG46/52

7 GAL. INDEPENDENT SPRAYER EXPLODED VIEW, RIGHT SIDE



7 GAL. INDEPENDENT SPRAYER EXPLODED VIEW, RIGHT SIDE

PARTS LIST			
ITEM	QTY	PART NUMBER	DESCRIPTION
1	1	S54000	PUMP, SHURFLO
2	1	S54120	HEAT SINK
3	2	S54103	ELBOW FITTING 90DEG. BARB
4	2	S51242	TANK BULKHEAD FITTING
5	1	S51270	SPRAY FILTER
6	1	S52064	3/4 X 1/2 REDUCER
7	1	S52028	90DEG. .5008 .750T
8	1	S51283	REGULATOR
9	1	S52000	PIPE TEE
10	1	S52013	1/2 MNPT X 1/2 HOSE BARB
11	1	M1007	M1007-R-IND
12	1	S52050	1/2 X 1/4
13	1	S51243	TANK CAP
14	4	CB-51634	CARRIAGE BOLT, SS - 5/16-18 x 3/4
15	4	HFNCS-516S	HEX FLANGE NUT, SS - 5/16-18
16	4	TRPC-141S	PHILLIPS SCREW, SS - 1/4-20 x 1
17	4	SSNNC-14	NYLOCK, SS - 1/4-20
18	4	HFSSC-3875	HEX BOLT, 3/8 X 3/4
19	1	S51234-D	PRESSURE GAUGE, 60 PSI
20	1	R21-113	ANTI VORTEX PLATE
21	1	S52040	1/2" 90° Street Elbow
22	1	S53019	HOSE, COIL
23	1	S51260	HANDLE, SPRAY
24	1	S51261	NOZZLE, SPRAY
25	4	MS4	HOSE CLAMP, 3/8
26	1	S52063	3/4" X 3/4" ST.
27	1	S52041	PIPE ELBOW 90 DEG.
28	1	W22-183	TANK SUPPORT, 7 GAL. SG46/52

7 GAL. INDEPENDENT SPRAYER ASSEMBLY INSTRUCTIONS

STEP ONE: Disconnect the battery, *ground* first and then *power* wire.

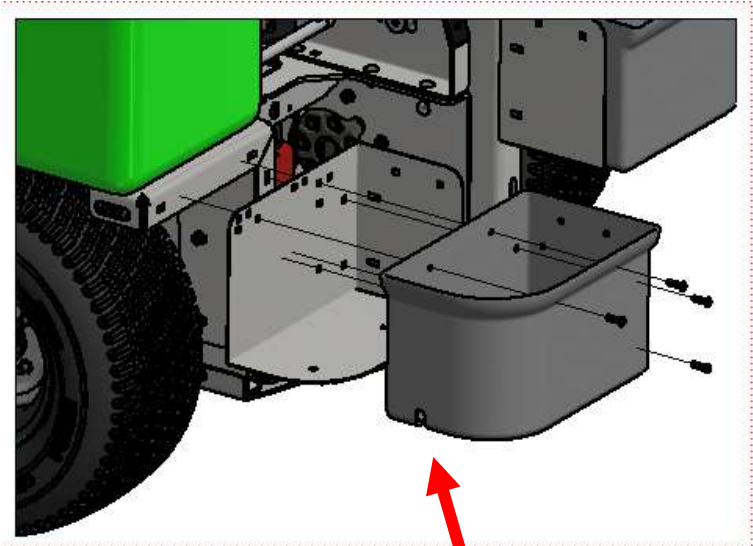


GROUND

POWER

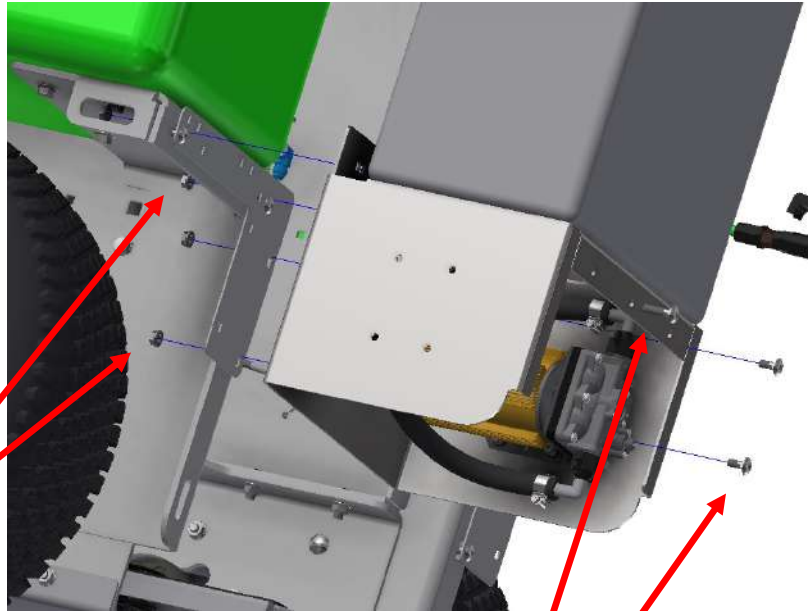
NOTE: Steps 2 & 3 instructions are the same for the right and left side, if both left & right side tanks are being installed.

STEP TWO: Remove existing storage container and support bracket from the frame.



7 GAL. INDEPENDENT SPRAYER ASSEMBLY INSTRUCTIONS

STEP THREE: Install the independent sprayer to the frame as shown.



Hex nuts HFNC5-516S qty. (4)

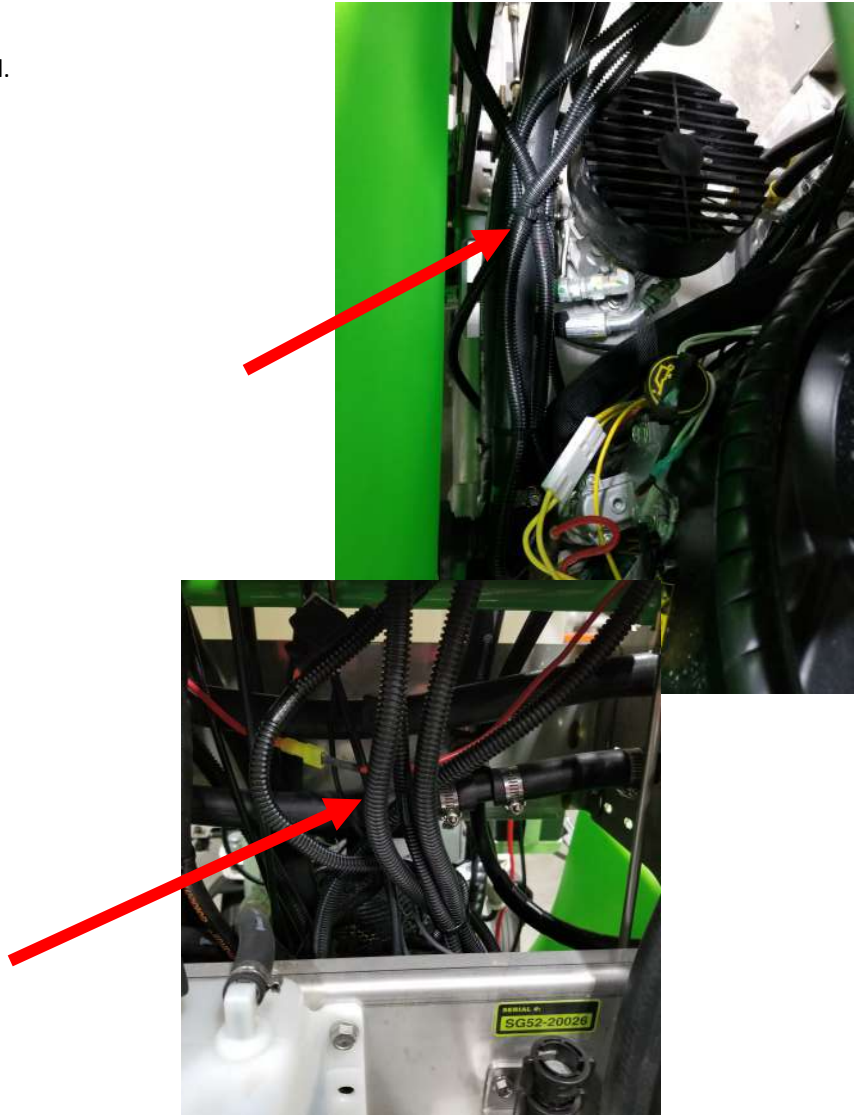
Carriage bolts CB-51634 qty. (4)

STEP FOUR: Connect the “pump” wiring harness to the pump plug and route the harness between the tank and upright.



7 GAL. INDEPENDENT SPRAYER ASSEMBLY INSTRUCTIONS

STEP FIVE: Route the “pump” wiring harness along the frame and upright to the control panel.



STEP SIX: Remove the plastic cap from “Aux 1” in the panel and route the switch connector of the “pump” wiring harness through the hole in the panel.



7 GAL. INDEPENDENT SPRAYER ASSEMBLY INSTRUCTIONS

STEP SEVEN: Connect the “pump” wiring harness to the “20A” side of the rocker switch.



STEP EIGHT: Connect the ground wire from the “pump” wiring harness to the up right cross member.



7 GAL. INDEPENDENT SPRAYER ASSEMBLY INSTRUCTIONS

STEP NINE: Connect the “pump power” wiring harness to the other side of the rocker switch.



STEP TEN: Install the rocker switch in the control panel and route the “pump power” wiring harness down the up right, along the frame to the battery.



7 GAL. INDEPENDENT SPRAYER ASSEMBLY INSTRUCTIONS

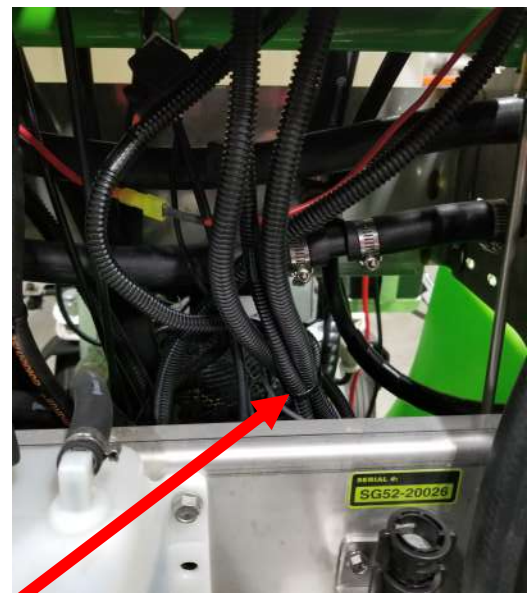
STEP ELEVEN: Reconnect the battery, *power* wire first along with the *pump power* wire from the wiring harness, and then reconnect the *ground* wire.



GROUND

POWER

STEP TWELVE: Once both harnesses are routed and connected, securely fasten them to the frame and existing harnesses in the up right with zip ties.





Steel Green Mfg.
824 S State Road 39
Lebanon, IN 46052
(765)-481-2890
www.steelgreenmfg.com

MANUAL PART NO.	MANUAL REV.	DESCRIPTION	KIT PART NO.
SGM-012	B	SG46-52 7 GALLON INDEPENDENT SPRAYER	P10030-1